



ST51/ST71

SUBMERSIBLE SUMP/EFFLUENT PUMP

FEATURES

- Corrosion resistant construction
- Cast iron body
- Thermoplastic impeller and cover
- Upper sleeve and lower heavy duty ball bearing construction.
- Motor is permanently lubricated for extended service life.
- Powered for continuous operation.
- All ratings are within the working limits of the motor.
- Power cord, 10' standard length, heavy duty 16/3 SJTW with 115 volt grounding plug and vertical switch.
- Complete unit is heavy duty, portable and compact.
- Mechanical seal is carbon, ceramic, BUNA and stainless steel.
- Stainless steel fasteners

APPLICATIONS

Specially designed for the following uses:

- Basement Draining
- Dewatering
- Water Transfer
- Effluent Transfer

SPECIFICATIONS

Pump - General:

- Discharge: 1½" NPT
- Temperature: 104°F (40°C) maximum, continuous when fully submerged.
- Solids handling: ½" maximum sphere.
- Automatic models include a float switch.
- Pumping range: see performance chart or curve.

ST51 Pump:

- Maximum capacity: 61 GPM
- Maximum head: 29' TDH

ST71 Pump:

- Maximum capacity: 70 GPM
- Maximum head: 37' TDH

AGENCY LISTINGS



Tested to UL 778 and CSA 22.2 108 Standards
By Canadian Standards Association
File #LR38549

PERFORMANCE RATINGS

ST51

Total Head (feet of water)	GPM
10	60
15	47
20	33
25	16

ST71

Total Head (feet of water)	GPM
10	69
15	60
20	50
25	39
30	27
35	12

MOTOR

General:

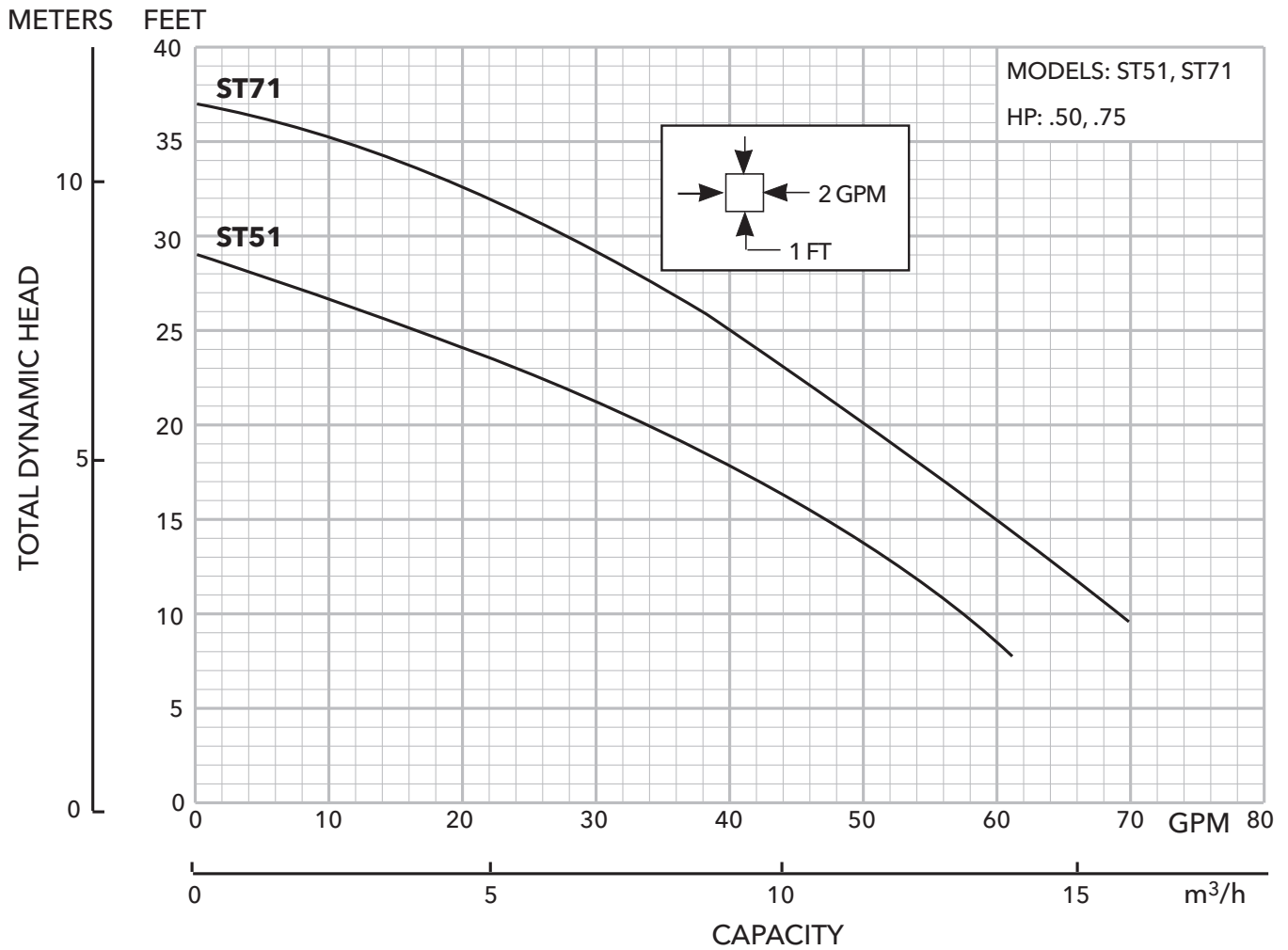
- Single phase
- 60 Hertz
- 115 volts
- Built-in thermal overload protection with automatic reset.
- Class B insulation
- Oil-filled design
- High strength carbon steel shaft

ST51 Motor:

- .50 HP, 3400 RPM
- 115 volts
- PSC design

ST71 Motor:

- .75 HP, 3400 RPM
- 115 volts
- PSC design

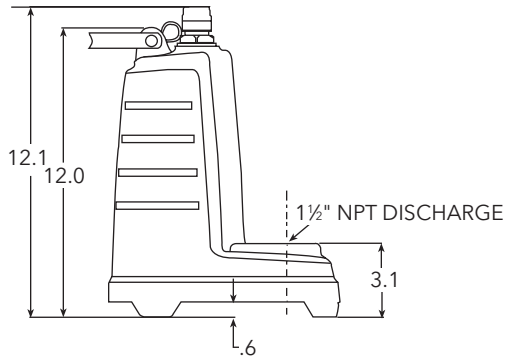
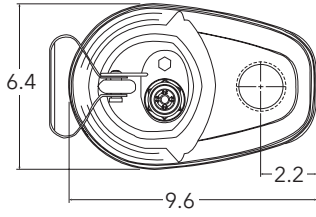


PUMP INFORMATION

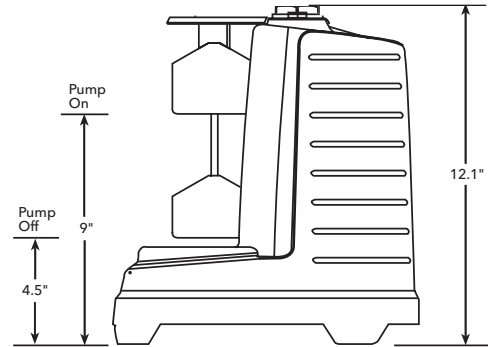
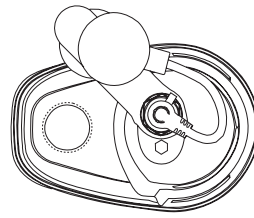
Order No.	HP	Phase	Volt	Amp Draw	RPM	Float Switch Style	Cord Length	Discharge Connection	Minimum Basin Diameter	Maximum Solids Size	Shipping Weight lbs/kg
ST51AV	½	1	115	7.5	3450	Built-In Vertical	10'	1.5"	18"	.5"	31
ST51PV						Piggy-Back Vertical					
ST51P1						Piggy-Back Wide Angle					
ST51P1F						Piggy-Back Wide Angle					
ST71AV	¾	1	115	9.5	3450	Built-In Vertical	10'	1.5"	18"	.5"	31
ST71PV						Piggy-Back Vertical					
ST71P1						Piggy-Back Wide Angle					
ST71P1F						Piggy-Back Wide Angle					

DIMENSIONS

(All dimensions are in inches. Do not use for construction purposes.)



VERTICAL FLOAT SWITCH



xylem
Let's Solve Water

Xylem, Inc.
2881 East Bayard Street Ext., Suite A
Seneca Falls, NY 13148
Phone: (866) 325-4210
Fax: (888) 322-5877
www.xylem.com/brands/gouldswatertechnology

Goulds is a registered trademark of Goulds Pumps, Inc. and is used under license.
© 2012 Xylem Inc. BST51/71 R1 July 2012