

Product information presented here reflects conditions at time of publication. Consult factory regarding discrepancies or inconsistencies.

MAIL TO: P.O. BOX 16347 • Louisville, KY 40256-0347
 SHIP TO: 3649 Cane Run Road • Louisville, KY 40211-1961
 (502) 778-2731 • 1 (800) 928-PUMP • FAX (502) 774-3624

visit our web site:
www.zoeller.com

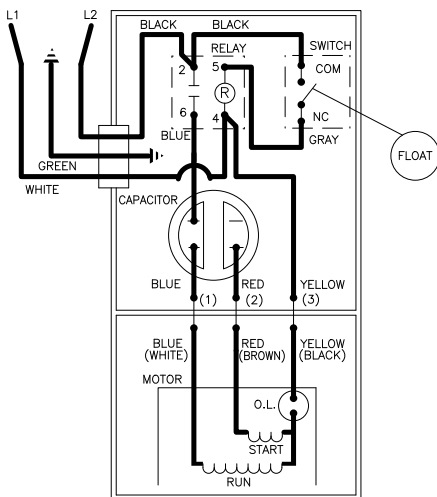
REPLACEMENT PARTS LIST FOR MODELS: M161 AUTOMATIC 115V D161 AUTOMATIC 230V N161 NONAUTOMATIC 115V E161 NONAUTOMATIC 230V

Consult factory for all other Models

TO ORDER REPLACEMENT PARTS:

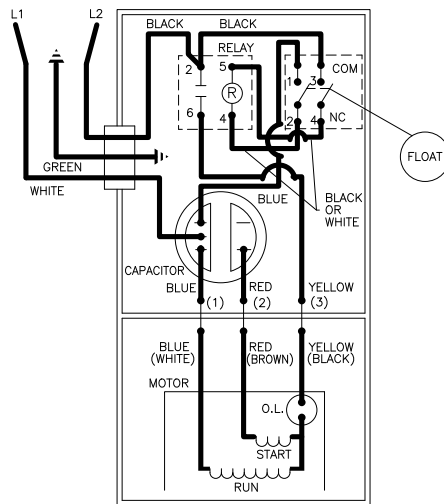
PLEASE FURNISH THE
 FOLLOWING INFORMATION:

- Model Number.
- Part Number of Pump.
 (If manufactured prior to June 1988, give 2 letter date code following Model No.)
- Part Number and Description of part.



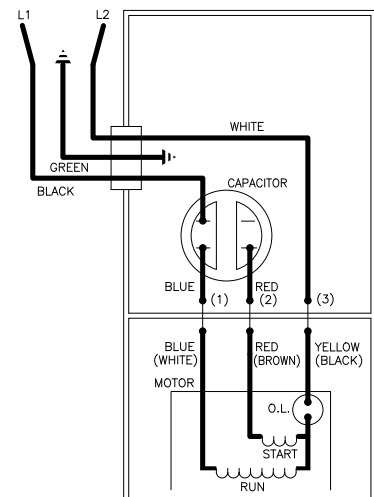
002398

WIRING DIAGRAM FOR MODELS
 "M161-A" and "D161-A"
 2/85 (NR) thru 8/86 (US)



004622

WIRING DIAGRAM FOR MODELS
 "M161-B", "M161-C", "M161-D", "M161-E", "M161-F"
 "D161-B", "D161-C"
 9/86 (VS) to Current



002397

WIRING DIAGRAM FOR MODELS
 "N161-A", "N161-B", "N161-C", "N161-D", "N161-E", "N161-F"
 "E161-A", "E161-B", "E161-C"
 2/85 (NR) to Current

REPLACEMENT PARTS LIST FOR MODELS "M161"

See page 6 for "M161" illustration.

REF. NO.	DESCRIPTION	QTY	NOTES	MODELS: M161-A					
				M161-B	M161-C	M161-D	M161-E	M161-F	
				2/85 NR thru 8/86 US	9/86 VS thru 8/90	9/90 thru 10/98	11/98 thru 4/03	5/03 thru 11/09	12/09 thru Current
1	Case, Sw.& Cord	1	2,3	002506	004746	006292	006292	014155	014155
2	• Handle	1		217069	217069	217069	217069	217069	217069
3	Cord, Term & Seal	1	3	002507	002507	006290	006290	014168	014168
4	Clamp, Strain Relief	1	3	001770	001770	NA	NA	013764	013764
5	• Seal, Cord-Asm & Str Rif	1	3	094032	094032	004375	004375	015634	015634
6	Case-Mach	1	2,3	004746	004614	004633	004633	014154	014154
7	• Guard	1		001023	001023	001023	001023	001023	001023
8	• Arm & Seal Asm	1	2	002379	004745	004745	004745	004745	004745
9	• Gasket, Case/Cover	1		001011	001011	001011	001011	001011	001011
10	Switch Asm	1	2	002380	004744	004744	004744	004744	004744
▫	Lead Wire (Gray)	1		002609	002609	002609	NA	NA	NA
11	• Wire Pkg (5) Wires	1		001070	004749	004749	004749	004749	004749
12	Capacitor & Clamp Asm	1		003575	003575	003575	003575	003575	003575
13	Relay	1		217092	217092	217092	217092	217092	217092
14	Float, Plastic	1		094039	094039	094039	094039	094039	094039
15	Guide Asm, Flt Rod	1		001072	001072	001072	001072	001072	001072
16	Rod Asm, Flt	1		003083	003083	003083	003083	003083	150439
17	Housing, Mtr-& Str	1	1,6	002497	002497	002497	002497	002497	150580
18	Bearing, Upper Sleeve	1		001012	001012	001012	001012	001012	NA
	Bearing, Upper Ball	1		NA	NA	NA	NA	NA	006703
19	• Plug, Test-White	2		034090	034090	034090	034090	034090	034090
20	• Seal, Thru Wall Term	3		003402	003402	003402	003402	003402	003402
21	Rotor & Brg	1	6	002701	002701	002701	002701	002701	150574
22	Bearing, Radial	1		001013	001013	001013	001013	001013	010069
23	• Seal, Mtr Hsg	1		001014	001014	001014	001014	001014	001014
24	• Oil, Dielectric	1		002383	002383	002383	002383	003168	011066
25	Adapter-Mach	1		001003	001003	001003	001003	001003	001003
26	• Seal, Shaft	1		002430	002430	002430	002430	002430	002430
27	Flange Pkg 2" Npt	1		10-1305	10-1305	10-1305	10-1305	10-1305	10-1305
	Flange Pkg 3" Npt	1		10-1306	10-1306	10-1306	10-1306	10-1306	10-1306
28	Impeller "161"	1		004307	004307	004307	004307	004307	004307
29	Housing,Pump-Mach	1		004188	004188	004188	004188	004188	004188
30	Strainer Plate	1		137008	137008	137008	137008	137008	137008
31	• Screw, .25-20 X .75 HHm-SS	4		001916	001916	001916	001916	001916	001916
32	• Screw, .313-18 X 1" HH Cap-SS	4		002608	002608	002608	002608	002608	002608
33	• Screw, #10-24 X.375 RHM-SI SS	2		001883	001883	001883	001883	001883	001883
34	• Screw, #6-32x.438 Rhsltp"1"Stlzi	2		001877	004644	004644	004644	004644	004644
35	• Sem, 10-24x.375HH-SI Tc.688 Wash	2		002000	002000	002000	002000	002000	002000
36	• Washer, SS-1.25"Odx.562"Idx.078	2		002115	002115	002115	002115	002115	002115
37	• Screw, .5-13 X 2 HH Cap-SS	2		001909	001909	001909	001909	001909	001909
38	• Screw, #6-32x.25RHM SI Tc Stlgr	4		001877	001877	001877	001877	001877	001877
39	• Screw, .25-20x1" HHm-SS	4		007790	007790	007790	007790	007790	007790
▫	Rebuild Kit			002509	004747	004747	004747	016103	019647

• Items included in Rebuild Kit.

▫ Not shown in illustration.

NOTES:

- 1) Mtr. Hsg., Brg., Stator & Term. (Item 17) is preassembled at the factory and must be replaced as a unit. Stator is permanently attached to the Motor Housing. Plug (Item 19); Seal, Thru Wall Term. (Item 20) and Bearing - Upper (Item 18) are replaceable.
- 2) When ordering these parts, customer must identify if switch is a General Electric switch.
- 3) If an "X" follows Model No., or Date Mfg. on ID tag, consult factory for ordering of this part.
- 4) See FM0160 Parts Price Sheet for listing of parts prices.
- 5) "NA" indicates, not applicable.
- 6) When ordering specify either GE or Emerson Motor.

DATE CODE OF MANUFACTURE FROM 12/70 to 12/88				
1st LETTER MONTH		2nd LETTER YEAR		
M ---JAN.	T ---JULY	A --- 1971	G --- 1977	O --- 1983
N ---FEB.	U ---AUG.	B --- 1972	H --- 1978	P --- 1984
O ---MARCH	V ---SEPT.	C --- 1973	I --- 1979	R --- 1985
P ---APRIL	W ---OCT.	D --- 1974	J --- 1980	S --- 1986
R ---MAY	X ---NOV.	E --- 1975	M --- 1981	T --- 1987
S ---JUNE	Y ---DEC.	F --- 1976	N --- 1982	U --- 1988

NOTE: Four digit (MMYY) date of mfg. used after June, 1988.
IE: MMYY = 0192 = Jan. 1992

REPLACEMENT PARTS LIST FOR MODELS "D161"

See page 6 for "D161" illustration.

REF. NO.	DESCRIPTION	QTY	NOTES	MODELS: D161-A			D161-B	D161-C
				2/85 NR thru 8/86 US	9/86 VS thru 11/09	12/09 thru Current		
1	Case, Sw.& Cord	1	2,3	002378	004748	004748		
2	• Handle	1		217069	217069	217069		
3	Cord, Term & Seal	1	3	002429	002429	002429		
4	Clamp, Strain Relief	1	3	001770	001770	001770		
5	• Seal, Cord-Asm & Str Rif	1	3	094032	094032	094032		
6	Case-Mach	1	2,3	001007	004614	004614		
7	• Guard	1		001023	001023	001023		
8	• Arm & Seal Asm	1	2	002379	004745	004745		
9	• Gasket, Case/Cover	1		001011	001011	001011		
10	Switch Asm	1	2	002380	004744	004744		
11	• Wire Pkg (5) Wires	1		001070	004749	004749		
12	Capacitor & Clamp Asm	1		002381	002381	002381		
13	Relay	1		217093	217093	217093		
14	Float, Plastic	1		094039	094039	094039		
15	Guide Asm, Flt Rod	1		001072	001072	001072		
16	Rod Asm, Flt	1		003083	003083	150439		
17	Housing, Mtr & Str	1	1,6	002504	002504	150582		
18	Bearing, Sleeve	1		001012	001012	NA		
	Bearing, Upper Ball	1		NA	NA	006703		
19	• Plug, Test-White	2		034090	034090	034090		
20	• Seal, Thru Wall Term	3		003402	003402	003402		
21	Rotor & Brg	1	6	002691	002691	150575		
22	Bearing, Radial	1		001013	001013	010069		
23	• Seal, Mtr Hsg	1		001014	001014	001014		
24	• Oil, Dielectric	1		002383	002383	011066		
25	Adapter-Mach	1		001003	001003	001003		
26	• Seal, Shaft	1		002430	002430	002430		
27	Flange Pkg 2" Npt	1		10-1305	10-1305	10-1305		
	Flange Pkg 3" Npt	1		10-1306	10-1306	10-1306		
28	Impeller "161"	1		004307	004307	004307		
29	Housing,Pump-Mach	1		004188	004188	004188		
30	Strainer Plate	1		137008	137008	137008		
31	• Screw, .25-20 X .75 HHm-SS	4		001916	001916	001916		
32	• Screw, .313-18 X 1" HH Cap-SS	4		002608	002608	002608		
33	• Screw, #10-24 X.375 RHM-SI SS	2		001883	001883	001883		
34	• Screw, #6-32x.438 Rhslp"1"Sltr	2		001877	004644	004644		
35	• Sem, 10-24x.375HH-SI Tc.688 Wash	2		002000	002000	002000		
36	• Washer, SS-1.25"Odx.562"ldx.078	2		002115	002115	002115		
37	• Screw, .5-13 X 2 HH Cap-SS	2		001909	001909	001909		
38	• Screw, #6-32x.25RHM SI Tc Sltr	4		001877	001877	001877		
39	• Screw, .25-20x1" HHm-SS	4		007790	007790	007790		
"	Rebuild Kit			002509	004747	019647		

• Items included in Rebuild Kit.

□ Not shown in illustration.

NOTES:

- 1) Mtr. Hsg., Brg., Stator & Term. (Item 17) is preassembled at the factory and must be replaced as a unit. Stator is permanently attached to the Motor Housing. Plug (Item 19); Seal, Thru Wall Term. (Item 20) and Bearing - Upper (Item 18) are replaceable.
- 2) When ordering these parts, customer must identify if switch is a General Electric switch.
- 3) If an "X" follows Model No., or Date Mfg. on ID tag, consult factory for ordering of this part.
- 4) See FM0160 Parts Price Sheet for listing of parts prices.
- 5) "NA" indicates, not applicable.
- 6) When ordering specify either GE or Emerson Motor.

REPLACEMENT PARTS LIST FOR MODELS "N161"

See page 6 for "N161" illustration.

REF. NO.	DESCRIPTION	QTY	NOTES	MODELS: N161-A					
				2/85 NR thru 8/86 US	9/86 VS thru 8/90	9/90 thru 10/98	11/98 thru 4/03	5/03 thru 11/09	12/09 thru Current
1	• Handle	1		217069	217069	217069	217069	217069	217069
2	Cover & Cord	1	2	002499	002499	006293	006293	014158	014158
3	Cord, Term, & Seal	1	2	002508	002508	006291	006291	014169	014169
4	Clamp, Strain Relief	1	2	001770	001770	001770	001770	013764	013764
5	Seal Asm., Cord & Strain Relief	1	2	094032	094032	004375	004375	015634	015634
6	Cover-Mach	1	2,3	001077	001077	004372	004372	014150	014150
7	• Gasket, Case/Cover	1		001011	001011	001011	001011	001011	001011
8	• Wire Pkg (5) Wires	1		001070	004749	004749	004749	004749	004749
9	Capacitor & Clamp Asm	1		003575	003575	003575	003575	003575	003575
10	Housing, Mtr & Str	1	1,5	002497	002497	002497	002497	002497	150580
11	Bearing, Sleeve	1		001012	001012	001012	001012	001012	NA
	Bearing, Upper Ball	1		NA	NA	NA	NA	NA	006703
12	• Plug, Test-White	2		034090	034090	034090	034090	034090	034090
13	Seal Thru Wall Term	3		003402	003402	003402	003402	003402	003402
14	Rotor & Brg	1	5	002701	002701	002701	002701	002701	150574
15	Bearing, Radial	1		001013	001013	001013	001013	001013	010069
16	• Seal, Mtr Hsg	1		001014	001014	001014	001014	001014	001014
17	• Oil, Dielectric	1		002383	002383	002383	002383	003168	011066
18	Adapter-Mach	1		001003	001003	001003	001003	001003	001003
19	• Seal, Shaft	1		002430	002430	002430	002430	002430	002430
20	Flange Pkg 2" Npt	1		10-1305	10-1305	10-1305	10-1305	10-1305	10-1305
	Flange Pkg 3" Npt	1		10-1306	10-1306	10-1306	10-1306	10-1306	10-1306
21	Impeller "161"	1		004307	004307	004307	004307	004307	004307
22	Housing, Pump-Mach	1		004188	004188	004188	004188	004188	004188
23	Strainer Plate	1		137008	137008	137008	137008	137008	137008
24	• Screw, .25-20 X .75 HHm-SS	4		001916	001916	001916	001916	001916	001916
25	• Screw, .313-18 X 1"HH Cap-SS	4		002608	002608	002608	002608	002608	002608
26	• Screw, #10-24 X.375 RHM-SI SS	2		001883	001883	001883	001883	001883	001883
27	• Sem, 10-24x.375HH-SI Tc.688 Wash	2		002000	002000	002000	002000	002000	002000
28	• Screw, .5-13 X 2 HH Cap-SS	2		001909	001909	001909	001909	001909	001909
29	• Washer, SS-1.25"Odx.562"ldx.078	2		002115	002115	002115	002115	002115	002115
30	• Screw, #6-32x.25RHM SI Tc Stgr	4		001877	001877	001877	001877	001877	001877
31	• Screw, .25-20x1" HHm-SS	4		007790	007790	007790	007790	007790	007790
▣	Rebuild Kit			002509	004747	004747	004747	014193	019648

• Items included in Rebuild Kit.

▣ Not shown in illustration.

NOTES:

- 1) Mtr. Hsg., Brg., Stator & Term. (Item 10) is preassembled at the factory and must be replaced as a unit. Stator is permanently attached to the Motor Housing. Plug (Item 12); Seal, Thru Wall Term. (Item 13) and Bearing - Upper (Item 15) are replaceable.
- 2) If an "X" follows Model No., or Date Mfg. on ID tag, consult factory for ordering of this part.
- 3) See FM0160 Parts Price Sheet for listing of parts prices.
- 4) "NA" indicates, not applicable.
- 5) When ordering specify either GE or Emerson Motor.

REPLACEMENT PARTS LIST FOR MODELS "E161"

See page 6 for "E161" illustration.

REF. NO.	DESCRIPTION	QTY	NOTES	MODELS: E161-A		
				2/85 NR thru 8/86 US	E161-B	9/86 VS thru 11/09
1	• Handle	1		217069	217069	217069
2	Cover & Cord	1	2	002401	002401	002401
3	Cord, Term, & Seal	1	2	002402	002402	002402
4	Clamp, Strain Relief	1	2	001770	001770	001770
5	Seal Asm., Cord & Strain Relief	1	2	094032	094032	094032
6	Cover-Mach	1	2,3	001077	001077	001077
7	• Gasket, Case/Cover	1		001011	001011	001011
8	• Wire Pkg (5) Wires	1		001070	004749	004749
9	Capacitor & Clamp Asm	1		002381	002381	002381
10	Housing, Mtr-& Str	1	1,5	002504	002504	150582
11	Bearing, Sleeve	1		001012	001012	NA
	Bearing, Upper Ball	1		NA	NA	006703
12	• Plug, Test-White	2		034090	034090	034090
13	Seal Thru Wall Term	3		003402	003402	003402
14	Rotor & Brg	1	5	002701	002701	150575
15	Bearing, Radial	1		001013	001013	010069
16	• Seal, Mtr Hsg	1		001014	001014	001014
17	• Oil, Dielectric	1		002383	002383	011066
18	Adapter-Mach	1		001003	001003	001003
19	• Seal, Shaft	1		002430	002430	002430
20	Flange Pkg 2" Npt	1		10-1305	10-1305	10-1305
	Flange Pkg 3" Npt	1		10-1306	10-1306	10-1306
21	Impeller "161"	1		004307	004307	004307
22	Housing, Pump-Mach	1		004188	004188	004188
23	Strainer Plate	1		137008	137008	137008
24	• Screw, .25-20 X .75 HHm-SS	4		001916	001916	001916
25	• Screw, .313-18 X 1"HH Cap-SS	4		002608	002608	002608
26	• Screw, #10-24 X.375 RHM-SI SS	2		001883	001883	001883
27	• Sem, 10-24x.375HH-SI Tc.688 Wash	2		002000	002000	002000
28	• Screw, .5-13 X 2 HH Cap-SS	2		001909	001909	001909
29	• Washer, SS-1.25"Odx.562"Idx.078	2		002115	002115	002115
30	• Screw, #6-32x.25RHM SI Tc Stlgr	4		001877	001877	001877
31	• Screw, .25-20x1" HHm-SS	4		007790	007790	007790
▣	Rebuild Kit			002509	004747	019648

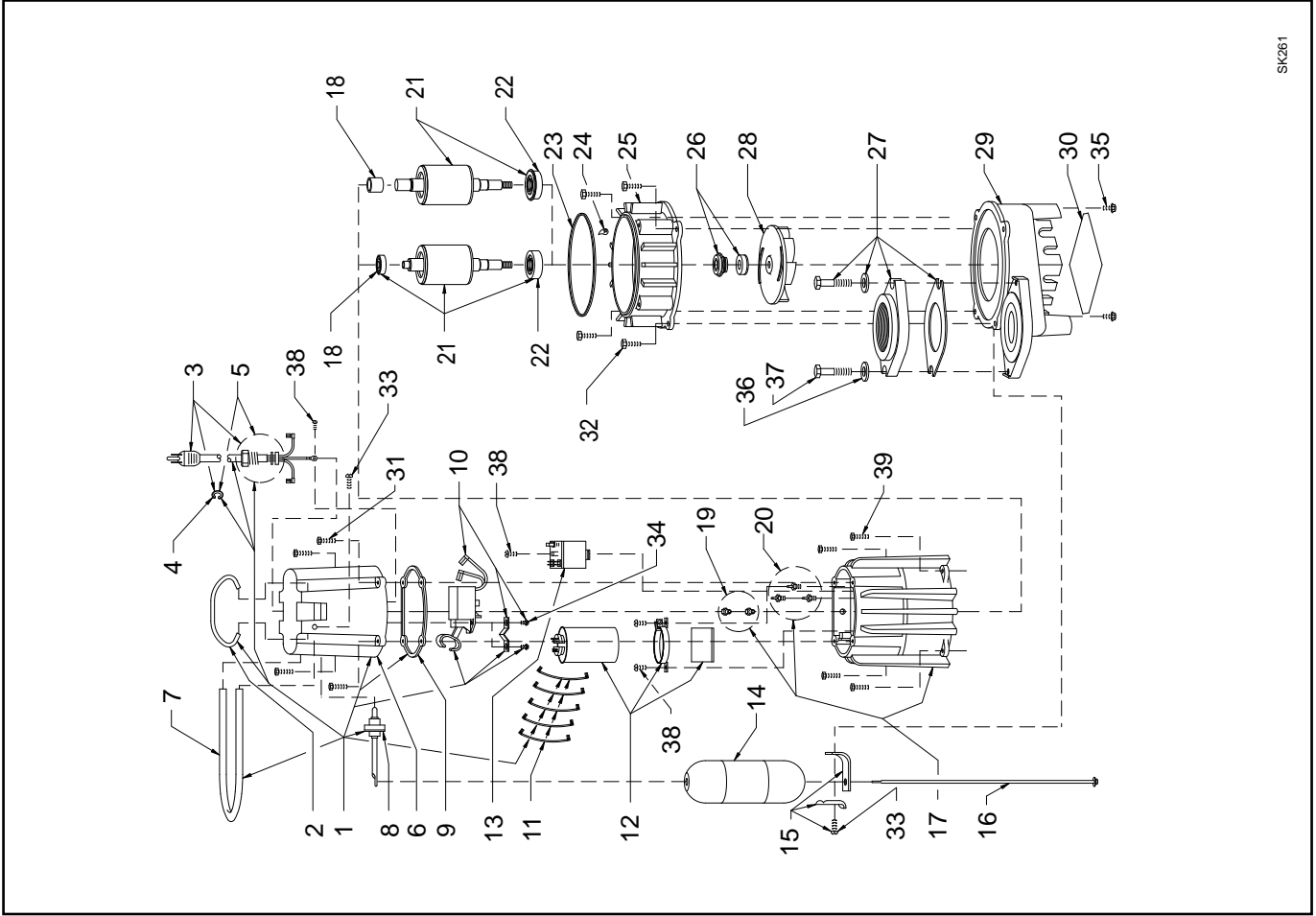
• Items included in Rebuild Kit.

▣ Not shown in illustration.

NOTES:

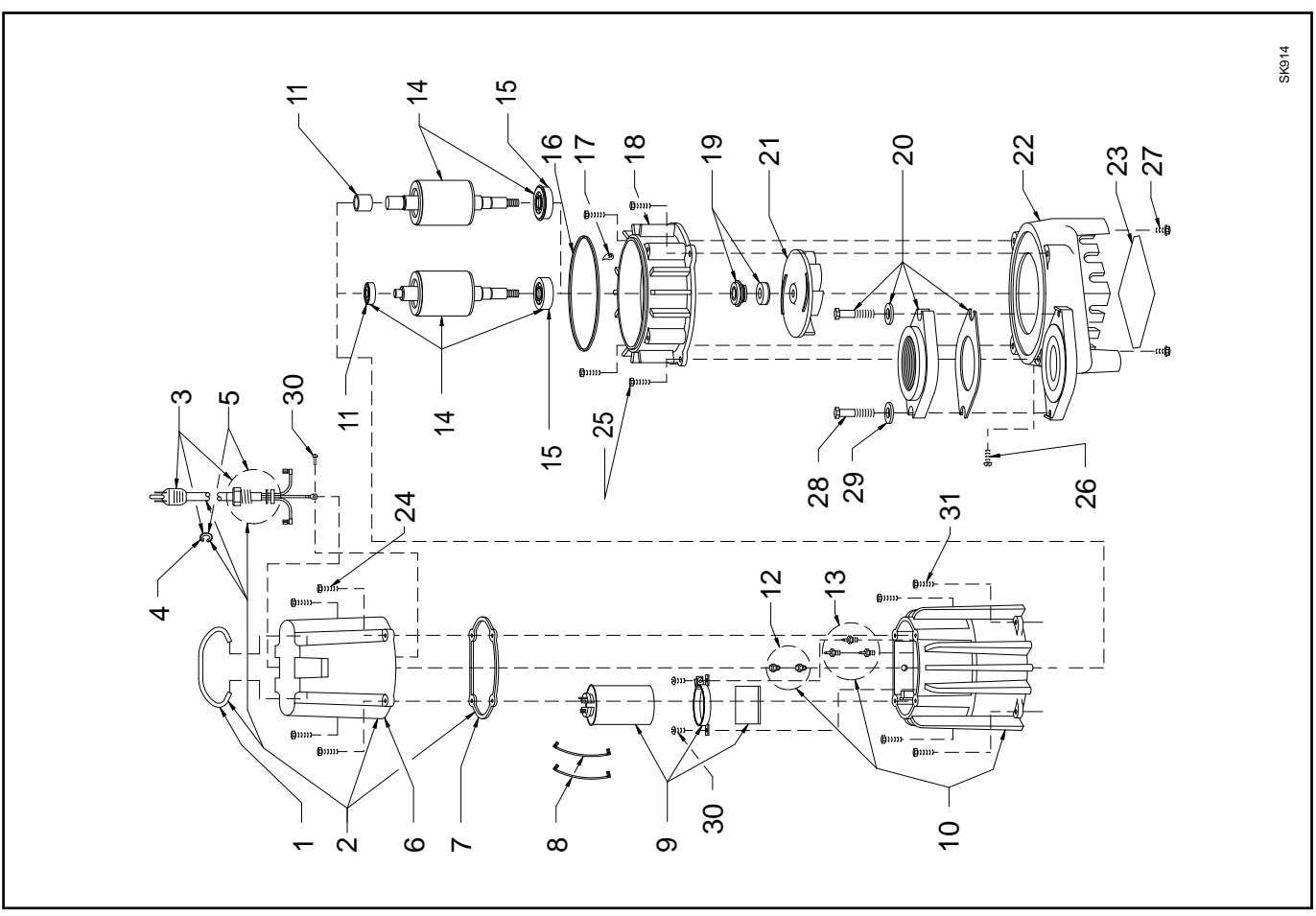
- 1) Mtr. Hsg., Brg., Stator & Term. (Item 10) is preassembled at the factory and must be replaced as a unit. Stator is permanently attached to the Motor Housing. Plug (Item 12); Seal, Thru Wall Term. (Item 13) and Bearing - Upper (Item 15) are replaceable.
- 2) If an "X" follows Model No., or Date Mfg. on ID tag, consult factory for ordering of this part.
- 3) See FM0160 Parts Price Sheet for listing of parts prices.
- 4) "NA" indicates, not applicable.
- 5) When ordering specify either GE or Emerson Motor.

REPLACEMENT PARTS ILLUSTRATION FOR MODELS "M161" AND "D161"



SK261

REPLACEMENT PARTS ILLUSTRATION FOR MODELS "N161" AND "E161"



SK914

NOTES



PUMP COMPANY

MAIL TO: P.O. BOX 16347 • Louisville, KY 40256-0347
SHIP TO: 3649 Cane Run Road • Louisville, KY 40211-1961
(502) 778-2731 • 1 (800) 928-PUMP • FAX (502) 774-3624

Your Peace of Mind is Our Top Priority™

**visit our web site:
www.zoeller.com**