

Product information presented here reflects conditions at time of publication. Consult factory regarding discrepancies or inconsistencies.



PUMP COMPANY

Zoeller Family of Water Solutions™

MAIL TO: P.O. BOX 16347 • Louisville, KY 40256-0347
 SHIP TO: 3649 Cane Run Road • Louisville, KY 40211-1961
 (502) 778-2731 • 1 (800) 928-PUMP • FAX (502) 774-3624

FM0459
 0311
 Supersedes
 0503

visit our web site:
www.zoeller.com

REPLACEMENT PARTS LIST FOR MODELS:

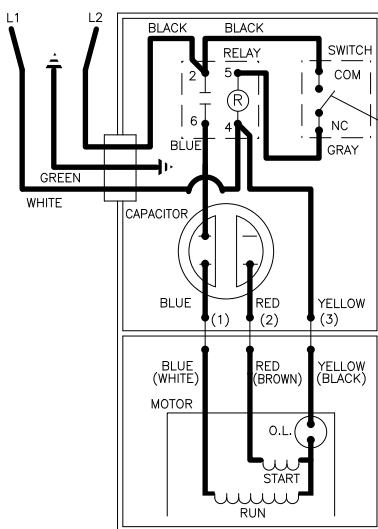
D165 AUTOMATIC 230V E165 NONAUTOMATIC 230V

Consult factory for all other Models

TO ORDER REPLACEMENT PARTS:

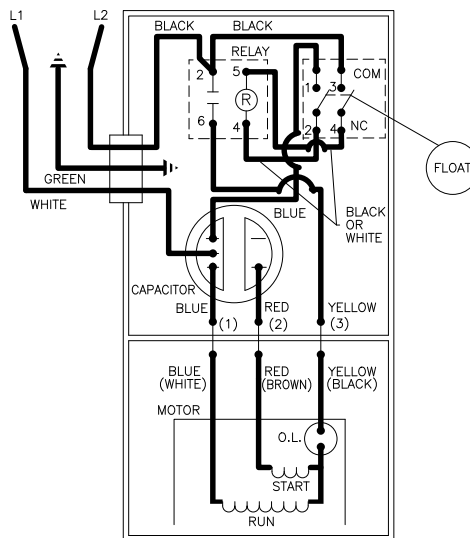
PLEASE FURNISH THE FOLLOWING INFORMATION:

- Model Number.
- Part Number of Pump.
 (If manufactured prior to June 1988, give 2 letter date code following Model No.)
- Part Number and Description of part.



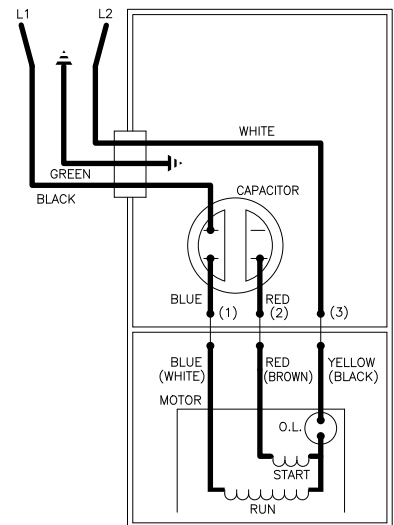
002398

WIRING DIAGRAM FOR
 MODELS
 "D165-A"
 4/81 (PM) thru 8/86 (US)



004622

WIRING DIAGRAM FOR
 MODELS
 "D165-B", "D165-C", and "D165-D"
 9/86 (VS) thru Present



002397

WIRING DIAGRAM FOR
 MODELS
 "E165-A", "E165-B", "E165-C",
 and "E165-D"
 4/81 (PM) thru Present

REPLACEMENT PARTS LIST FOR MODELS "D165".

See back page for "D165" illustration.

MODELS: D165-A D165-B D165-C D165-D							
REF. NO.	DESCRIPTION	QTY	NOTES	4/81 PM thru 1/85 MR	2/85 NR thru 8/86 US	9/86 VS thru 7/09	8/09 thru Current
1	Case Switch & Cord 230V/1Ph	1	2,3	002378	002378	004748	004748
2	• Handle	1		217069	217069	217069	217069
3	Cord Term&Seal 20'/230V/1Ph/A	1	3	002429	002429	002429	002429
4	Clamp, Strain Relief-Red	1	3	001770	001770	001770	001770
5	Seal, Cord-Asm & Strain Relief	1		094032	094032	094032	094032
6	Case-Mach "160/180/280/290"	1	2	004748	004748	004614	004614
7	• Guard	1		001023	001023	001023	001023
8	• Arm & Seal Asm "160/180/290"	1	2	002379	002379	004745	004745
9	• Gasket, Case/Cover	1		001011	001011	001011	001011
10	Switch Asm "160/180/290"	1	2	002380	002380	004744	004744
11	• Wire Pkg (6 Wire)	1		001070	001070	004749	004749
11	• Wire Asm-F-F(1)Wire Gy 7"Lg	1		002609	002609	NA	NA
12	Capacitor & Clamp Asm 20uf	1		002381	002381	002381	002381
13	Relay 230V G1 (&G5)	1		217093	217093	217093	217093
14	Float, Plastic	1		094039	094039	094039	094039
15	Guide Asm, Flt Rod	1		001072	001072	001072	001072
16	Rod Asm, Flt	1		003083	003083	003083	150439
17	Housing, Mtr- & Stator 230V/1Ph	1	1, 6	002382	002382	002382	019655
18	Bearing, Sleeve	1		001012	001012	001012	NA
18	Bearing, Upper Ball	1		NA	NA	NA	006703
19	• Plug, Test-White	2		034090	034090	034090	034090
20	• Seal, Thru Wall Term	3		003402	003402	003402	003402
21	Rotor & Brg Asm	1	6	001074	001074	001074	019650
22	• Bearing, Radial	1		001013	001013	001013	010069
23	• Seal, Mtr Hsg	1		001014	001014	001014	001014
24	• Oil, Dielectric	1		002383	002383	002383	011066
25	Adapter-Mach 163/165/293	1		001003	001003	001003	001003
26	• Seal, Shaft	1		002430	002430	002430	002430
27	Flange Pkg 2"Npt	1		NA	10-1305	10-1305	10-1305
27	Flange Pkg 3"Npt	1		NA	10-1306	10-1306	10-1306
27	Impeller Br "165/188"	1		001046	004203	004203	004203
29	Housing, Pump-Mach 163/165	1		001044	004214	004214	004214
30	Strainer Plate	1		137008	137008	137008	137008
31	• Screw, .25-20 X .75 HHm-SS	4		001916	001916	001916	001916
32	• Screw, .313-18 X 1"HH Cap-SS	4		002608	002608	002608	002608
33	• Screw, #10-24 X.375 RHM-SI SS	2		001883	001883	001883	001883
34	• Screw, #6-32x.438Rhshtp"1"Stlzi	2		001877	001877	004644	004644
35	• Sem, 10-24x.375HH-SI Tc.688Wash	2		002000	002000	002000	002000
36	• Washer, SS-1.25"Odx.562"Idx.078	2		N/A	002115	002115	002115
37	• Screw, .5-13 X 2 HH Cap-SS	2		N/A	001909	001909	001909
38	• Screw, #6-32x.25RHM SI Tc Stlgr	4		001877	001877	001877	001877
39	• Screw, .25-20 X 1" HHM-SS	4		007790	007790	007790	007790
☒	Rebuild Kit "160/185/293"			002425	002425	004747	019647

- Items included in Rebuild Kit.
- ☒ Not Shown in Illustration.

NOTES:

- 1) Mtr. Hsg., Brg., Stator & Term. (Item 17) is preassembled at the factory and must be replaced as a unit. Stator is permanently attached to the Motor Housing. Plug (Item 19); Seal, Thru Wall Term. (Item 20) and Bearing - Upper (Item 18) are replaceable.
- 2) When ordering these parts, customer must identify if switch is a General Electric switch.
- 3) If an "X" follows Model No., or Date Mfg. on ID tag, consult factory for ordering of this part.
- 4) See FM0160 Parts Price Sheet for listing of parts prices.
- 5) "NA" indicates, not applicable.
- 6) When ordering these parts, customer must identify if G.E. or EMD.

DATE CODE OF MANUFACTURE FROM 12/70 TO 12/88

1st LETTER MONTH		2nd LETTER YEAR			
M -- JAN.	T -- JULY	A -- 1971	G -- 1977	O -- 1983	
N -- FEB.	U -- AUG.	B -- 1972	H -- 1978	P -- 1984	
O -- MARCH	V -- SEPT.	C -- 1973	I -- 1979	R -- 1985	
P -- APRIL	W -- OCT.	D -- 1974	J -- 1980	S -- 1986	
R -- MAY	X -- NOV.	E -- 1975	M -- 1981	T -- 1987	
S -- JUNE	Y -- DEC.	F -- 1976	N -- 1982	U -- 1988	

REPLACEMENT PARTS LIST FOR MODELS "E165".

See back page for "E165" illustration.

REF. NO.	DESCRIPTION	QTY	NOTES	MODELS:							
				E165-A	E165-B	E165 -C	E165-D				
				4/81 PM thru 1/85 MR	2/85 NR thru 8/86 US	9/86 VS thru 7/09	8/09 thru Current				
1	• Handle	1		217069	217069	217069	217069				
2	• Cover & Cord 230V/1Ph	1	2	002401	002401	002401	002401				
3	• Cord Term&Seal 20'/230V/1Ph/Na	1	2	002402	002402	002402	002402				
4	• Clamp, Strain Relief-Red	1	2	001770	001770	001770	001770				
5	• Seal, Cord-Asm & Strain Relief	1	2	094032	094032	094032	094032				
6	• Cover-Mach Std Cd Or 3Ph "293"	1		001077	001077	001077	001077				
7	• Gasket, Case/Cover	1		001011	001011	001011	001011				
8	• Wire Pkg (5) Wires	1		001070	001070	004749	004749				
9	• Capacitor & Clamp Asm 20uf	1		002381	002381	002381	002381				
10	• Housing, Mtr- & Stator 230V/1Ph	1	1, 5	002382	002382	002382	019655				
11	• Bearing, Sleeve	1		001012	001012	001012	NA				
	• Bearing, Upper Ball	1		NA	NA	NA	006703				
12	• Plug, Test-White	2		034090	034090	034090	034090				
13	• Seal, Thru Wall Term	3		003402	003402	003402	003402				
14	• Rotor & Brg Asm	1	5	001074	001074	001074	019650				
15	• Bearing, Radial	1		001013	001013	001013	010069				
16	• Seal, Mtr Hsg	1		001014	001014	001014	001014				
17	• Oil, Dielectric-(38 Oz Can)	1		002383	002383	002383	011066				
18	• Adapter-Mach 163/165/293	1		001003	001003	001003	001003				
19	• Seal, Shaft	1		002430	002430	002430	002430				
20	• Flange Pkg 2"Npt • Flange Pkg 3"Npt	1		NA	10-1305	10-1305	10-1305				
		1		NA	10-1306	10-1306	10-1306				
21	• Impeller Br "165/188"	1		001046	004203	004203	004203				
22	• Housing, Pump-Mach 163/165	1		001044	004214	004214	004214				
23	• Strainer Plate	1		137008	137008	137008	137008				
24	• Screw, .25-20 X .75 HHm-SS	4		001916	001916	001916	001916				
25	• Screw, .313-18 X 1"HH Cap-SS	4		002608	002608	002608	002608				
26	• Screw, #10-24 X .375 RHM-SI SS	2		001883	001883	001883	001883				
27	• Sem, 10-24x.375HH-SI Tc.688Wash	2		002000	002000	002000	002000				
28	• Screw, .5-13 X 2 HH Cap-SS	2		NA	001909	001909	001909				
29	• Washer, SS-1.25"Odx.562"ldx.078	2		NA	002115	002115	002115				
30	• Screw, #6-32x.25RHM SI Tc Stlgr	4		001877	001877	001877	001877				
31	• Screw, .25-20 X 1" HHM-SS	4		007790	007790	007790	007790				
☐	• Rebuild Kit "160/185/293"			002425	002425	004747	019648				

• Items included in Rebuild Kit. ☐ Not Shown in Illustration.

NOTES:

- 1) Mtr. Hsg., Brg., Stator & Term. (Item 10) is preassembled at the factory and must be replaced as a unit. Stator is permanently attached to the Motor Housing. Plug (Item 12); Seal, Thru Wall Term. (Item 13) and Bearing - Upper (Item 11) are replaceable.
- 2) If an "X" follows Model No., or Date Mfg. on ID tag, consult factory for ordering of this part.
- 3) See FM0160 Parts Price Sheet for listing of parts prices.
- 4) "NA" indicates, not applicable.
- 5) When ordering these parts, customer must identify if G.E. or EMD.



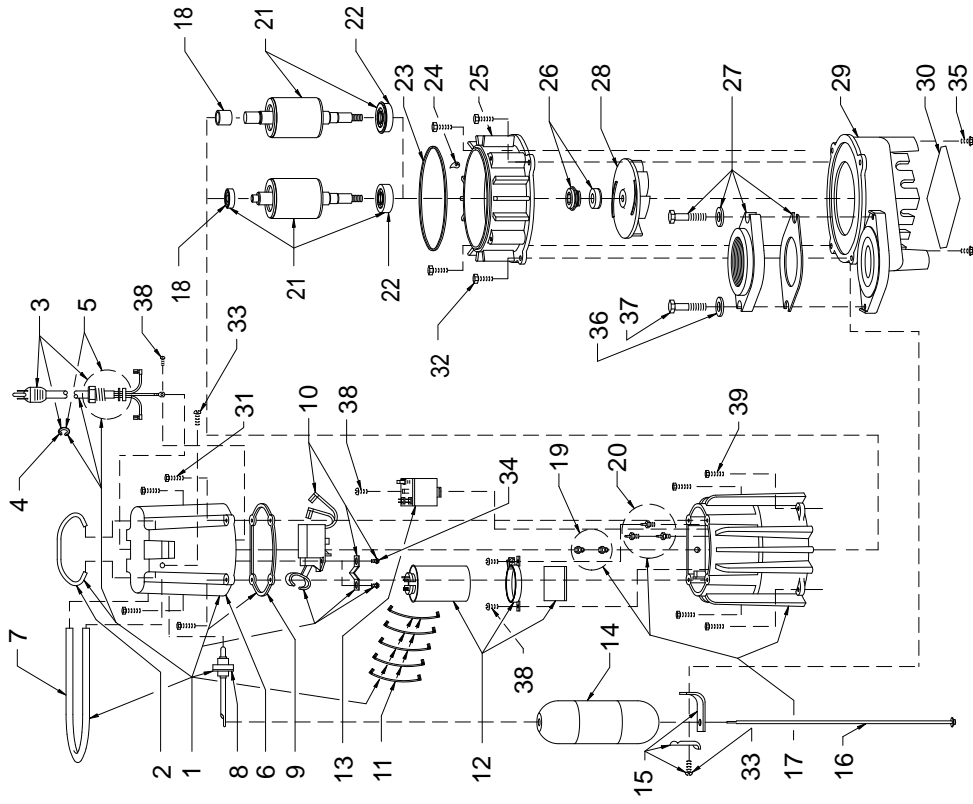
PUMP COMPANY

MAIL TO: P.O. BOX 16347 • Louisville, KY 40256-0347
 SHIP TO: 3649 Cane Run Road • Louisville, KY 40211-1961
 (502) 778-2731 • 1 (800) 928-PUMP • FAX (502) 774-3624

visit our web site:
www.zoeller.com

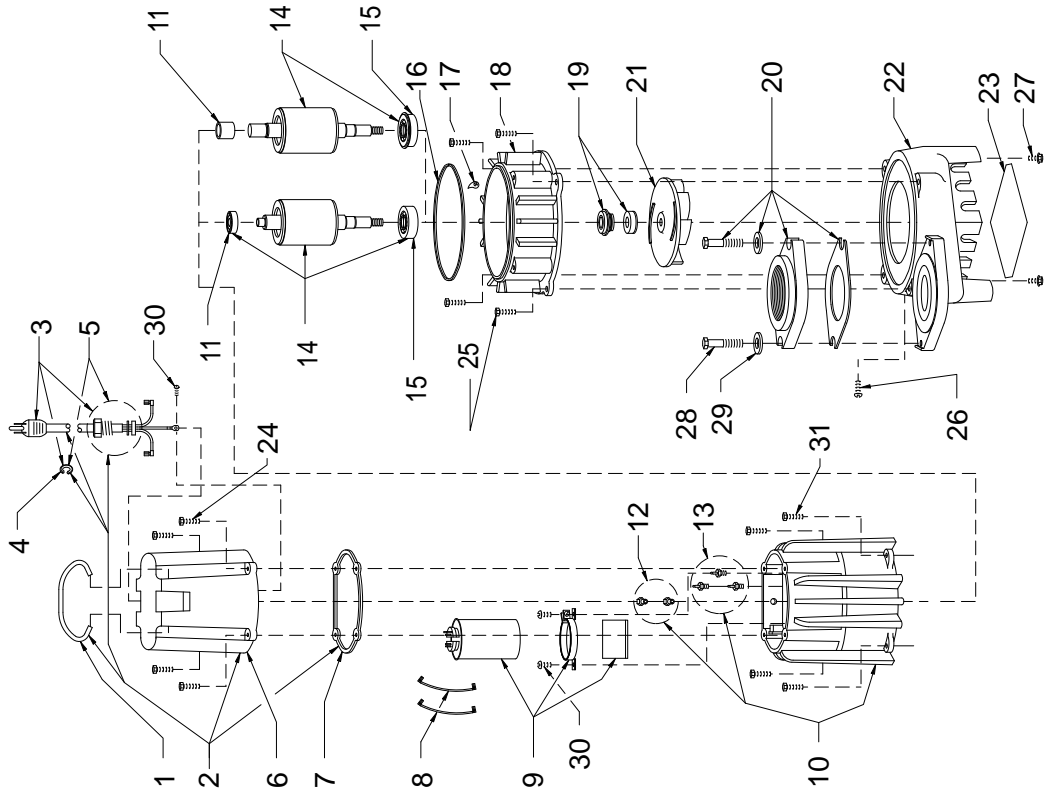
Your Peace of Mind is Our Top Priority™

REPLACEMENT PARTS ILLUSTRATION FOR MODEL "D165"



SK261

REPLACEMENT PARTS ILLUSTRATION FOR MODEL "E165"



SK914