

Product information presented here reflects conditions at time of publication. Consult factory regarding discrepancies or inconsistencies.

PUMP COMPANY

Zoeller Family of Water Solutions™

MAIL TO: P.O. BOX 16347 • Louisville, KY 40256-0347
 SHIP TO: 3649 Cane Run Road • Louisville, KY 40211-1961
 (502) 778-2731 • 1 (800) 928-PUMP • FAX (502) 774-3624

visit our web site:
www.zoeller.com

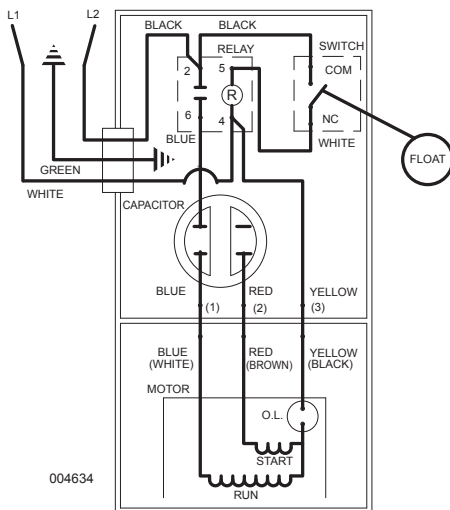
REPLACEMENT PARTS LIST FOR MODELS:

**D188 AUTOMATIC 230V
 E188 NONAUTOMATIC 230V**

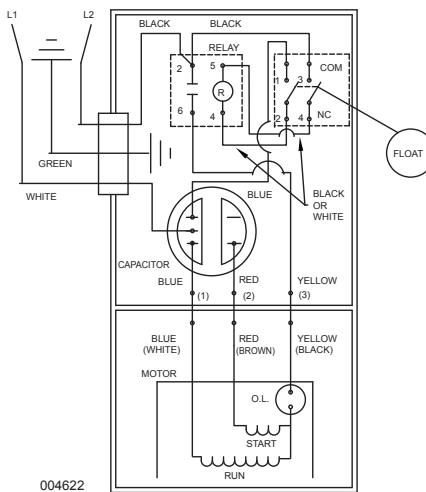
Consult factory for all other Models

TO ORDER REPLACEMENT PARTS:
PLEASE FURNISH THE FOLLOWING INFORMATION:

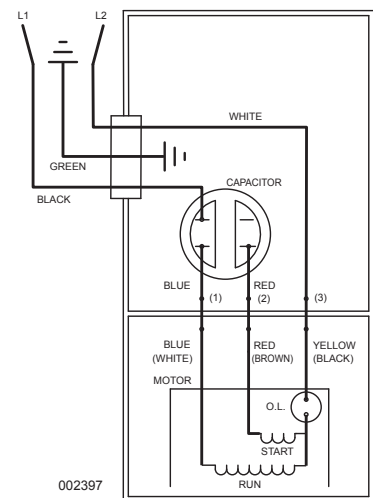
- Model Number.
- Part Number of Pump.
 (If manufactured prior to June 1988, give
 2 letter date code following Model No.)
- Part Number and Description of part.



WIRING DIAGRAM FOR MODELS
 "D188-A"
 2/85 (NR) thru 8/86 (US)



WIRING DIAGRAM FOR MODELS
 "D188-B" thru "D188-F"
 9/86 (VS) thru Current



WIRING DIAGRAM FOR MODELS
 "E188" All Revisions
 2/85 (NR) thru Current

REPLACEMENT PARTS LIST FOR MODELS "D188"

See back page for "D188" illustration.

REF. NO.	DESCRIPTION	QTY	NOTES	MODELS: D188-A D188-B D188-C D188-D D188-E D188-F					
				2/85 NR thru 8/86 US	9/86 VS thru 5/87 RT	6/87 ST thru 7/90	8/90 thru 4/03	5/03 thru 5/08	6/08 thru Current
1	Case Sw & Cord	1	2,3	004252	004750	004750	004754	014167	014167
2	• Handle	1		217069	217069	217069	217069	217069	217069
3	Cord Term & Seal	1	3	002429	002429	002429	004374	014174	014174
4	Clamp, Strain Relief	1	3	001770	001770	001770	001770	013764	013764
5	• Seal, Cord-Asm & Str Rlf	1	3	094032	094032	094032	004375	015634	015634
6	Case-Mach	1	2,3	004750	004614	004614	004633	014154	014154
7	• Guard	1		001023	001023	001023	001023	001023	001023
8	• Arm & Seal Asm	1	2	002379	004745	004745	004745	004745	004745
9	• Gasket, Case/Cover	1		001011	001011	001011	001011	001011	001011
10	Switch Asm	1	2	004206	004744	004744	004744	004744	004744
11	• Wire Pkg (5) Wires	1		004174	004751	004751	004751	004751	004751
12	Capacitor & Clamp Asm	1		006135	006135	006135	006135	006135	006135
13	Relay	1		217093	217093	217093	217093	217093	217093
14	Float, Plastic	1		094039	094039	094039	094039	094039	094039
15	Guide Asm, Flt Rod	1		001072	001072	001072	001072	001072	001072
16	Rod Asm, Fit	1		003083	003083	003083	003083	003083	150439
17	Housing, Mtr & Str	1	1	004094	004094	004993	004993	004993	019233
18	Bearing, Upper Sleeve	1		001012	001012	001012	001012	001012	NA
	• Bearing, Upper Ball		NA	NA	NA	NA	NA	006703	
19	• Plug, Test-White	2		034090	034090	034090	034090	034090	034090
20	• Seal, Thru Wall Term	3		003402	003402	003402	003402	003402	003402
21	Rotor & Brg	1		004095	004095	004994	004994	004994	019225
22	• Bearing, Radial	1		001013	001013	001013	001013	001013	010069
23	• Seal, Mtr Hsg	1		001014	001014	001014	001014	001014	001014
24	• Oil, Dielectric	1		002383	002383	002383	002383	003168	011066
25	Adapter-Mach	1		001003	001003	001003	001003	001003	001003
26	• Seal, Shaft	1		002430	002430	002430	002430	002430	002430
27	Flange Pkg 2" Npt	1		10-1305	10-1305	10-1305	10-1305	10-1305	10-1305
	Flange Pkg 3" Npt	1		10-1306	10-1306	10-1306	10-1306	10-1306	10-1306
28	Impeller "188"	1		004203	004203	004203	004203	004203	004203
29	Housing, Pump-Mach	1		004188	004188	004188	004188	004188	004188
30	Strainer Plate	1		137008	137008	137008	137008	137008	137008
31	• Screw, .25-20 X .75 HHm-SS	4		001916	001916	001916	001916	001916	001916
32	• Screw, .313-18 X 1"HH Cap-SS	4		002608	002608	002608	002608	002608	002608
33	• Screw, #10-24 X.375 RHM-SI SS	2		001883	001883	001883	001883	001883	001883
34	• Screw, #6-32X.438Rhtstip 1"Stlzi	2		001877	004644	004644	004644	004644	004644
35	• Sem, 10-24X.375HH-SI Tc.688 Wash	2		002000	002000	002000	002000	002000	002000
36	• Washer, SS-1.25"Odx.562"ldx.078	2		002115	002115	002115	002115	002115	002115
37	• Screw, .5-13 X 2 HH Cap-SS	2		001909	001909	001909	001909	001909	001909
38	• Screw, #6-32X.25RHM SI Tc Stlgr	4		001877	001877	001877	001877	001877	001877
39	• Screw, .25-20 X 1" HHm-SS	4		007790	007790	007790	007790	007790	007790
□	Rebuild Kit			004234	004752	004752	004752	016103	019647

• Items included in Rebuild Kit.

□ Not shown in illustration.

NOTES:

- 1) Mtr. Hsg., Brg., Stator & Term. (Item 17) is preassembled at the factory and must be replaced as a unit. Stator is permanently attached to the Motor Housing. Plug (Item 19); Seal, Thru Wall Term. (Item 20) and Bearing - Upper (Item 18) are replaceable.
- 2) When ordering these parts, customer must identify if switch is a General Electric switch.
- 3) If an "X" follows Model No., or Date Mfg. on brass ID tag, consult factory for ordering of this part.
- 4) See FM0160 Parts Price Sheet for listing of parts prices.
- 5) "NA" indicates, not applicable.

DATE CODE OF MANUFACTURE FROM 12/70 to 12/88

1st LETTER MONTH

2nd LETTER YEAR

M ---JAN.	T ---JULY	A ---1971	G ---1977	O ---1983
N ---FEB.	U ---AUG.	B ---1972	H ---1978	P ---1984
O ---MARCH	V ---SEPT.	C ---1973	I ---1979	R ---1985
P ---APRIL	W ---OCT.	D ---1974	J ---1980	S ---1986
R ---MAY	X ---NOV.	E ---1975	M ---1981	T ---1987
S ---JUNE	Y ---DEC.	F ---1976	N ---1982	U ---1988

NOTE: Four digit (MMYY) date of mfg. used after June, 1988.
IE: MMYY = 0192 = Jan. 1992

REPLACEMENT PARTS LIST FOR MODELS "E188"

See back page for "E188" illustration.

REF. NO.	DESCRIPTION	QTY	NOTES	MODELS: E188-A					
				E188-B	E188-C	E188-D	E188-E	E188-F	
				2/85 NR thru 8/86 US	9/86 VS thru 5/87 RT	6/87 ST thru 7/90	8/90 thru 4/03	5/03 thru 5/08	6/08 thru Current
1	• Handle	1		217069	217069	217069	217069	217069	217069
2	Cord & Cover 230V/1PH	1	2	002401	002401	002401	007912	014163	014163
3	Cord Term & Seal	1	2	002402	002402	002402	007911	014176	014176
4	Clamp, Strain Relief	1	2	001770	001770	001770	001770	013764	013764
5	• Seal, Cord-Asm & Str Rif	1	2	094032	094032	094032	004375	015634	015634
6	Cover-Mach	1	2	001077	001077	001077	004372	014150	014150
7	• Gasket, Case/Cover	1		001011	001011	001011	001011	001011	001011
8	• Wire Pkg (5) Wires	1		004174	004751	004751	004751	004751	004751
9	Capacitor & Clamp Asm	1		006135	006135	006135	006135	006135	006135
10	Housing, Mtr & Str	1	1	004094	004094	004993	004993	004993	019233
11	Bearing, Upper Sleeve	1		001012	001012	001012	001012	001012	NA
	• Bearing, Upper Ball			NA	NA	NA	NA	NA	006703
12	• Plug, Test-White	2		034090	034090	034090	034090	034090	034090
13	• Seal, Thru Wall Term	3		003402	003402	003402	003402	003402	003402
14	Rotor & Brg	1		004095	004095	004994	004994	004994	019225
15	• Bearing, Radial	1		001013	001013	001013	001013	001013	010069
16	• Seal, Mtr Hsg	1		001014	001014	001014	001014	001014	001014
17	• Oil, Dielectric	1		002383	002383	002383	002383	003168	011066
18	Adapter-Mach	1		001003	001003	001003	001003	001003	001003
19	• Seal, Shaft	1		002430	002430	002430	002430	002430	002430
20	Flange Pkg 2" Npt	1		10-1305	10-1305	10-1305	10-1305	10-1305	10-1305
	Flange Pkg 3" Npt	1		10-1306	10-1306	10-1306	10-1306	10-1306	10-1306
21	Impeller "188"	1		004203	004203	004203	004203	004203	004203
22	Housing, Pump-Mach	1		004188	004188	004188	004188	004188	004188
23	Strainer Plate	1		137008	137008	137008	137008	137008	137008
24	• Screw, .25-20 X .75 HHm-SS	4		001916	001916	001916	001916	001916	001916
25	• Screw, .313-18 X 1"HH Cap-SS	4		002608	002608	002608	002608	002608	002608
26	• Screw, #10-24 X.375 RHM-SI SS	2		001883	001883	001883	001883	001883	001883
27	• Sem, 10-24X.375HH-SI Tc.688 Wash	2		002000	002000	002000	002000	002000	002000
28	• Screw, .5-13 X 2 HH Cap-SS	2		001909	001909	001909	001909	001909	001909
29	• Washer, SS-1.25"Odx.562"ldx.078	2		002115	002115	002115	002115	002115	002115
30	• Screw, #6-32X.25RHM SI Tc Stlgr	4		001877	001877	001877	001877	001877	001877
31	• Screw, .25-20 X 1" HHm-SS	4		007790	007790	007790	007790	007790	007790
□	Rebuild Kit			004234	004752	004752	004752	014193	019648

• Items included in Rebuild Kit.

□ Not shown in illustration.

NOTES:

- 1) Mtr. Hsg., Brg., Stator & Term. (Item 10) is preassembled at the factory and must be replaced as a unit. Stator is permanently attached to the Motor Housing. Plug (Item 12); Seal, Thru Wall Term. (Item 13) and Bearing - Upper (Item 11) are replaceable.
- 2) If an "X" follows Model No., or Date Mfg. on brass ID tag, consult factory for ordering of this part.
- 3) See FM0160 Parts Price Sheet for listing of parts prices.
- 4) "NA" indicates, not applicable.



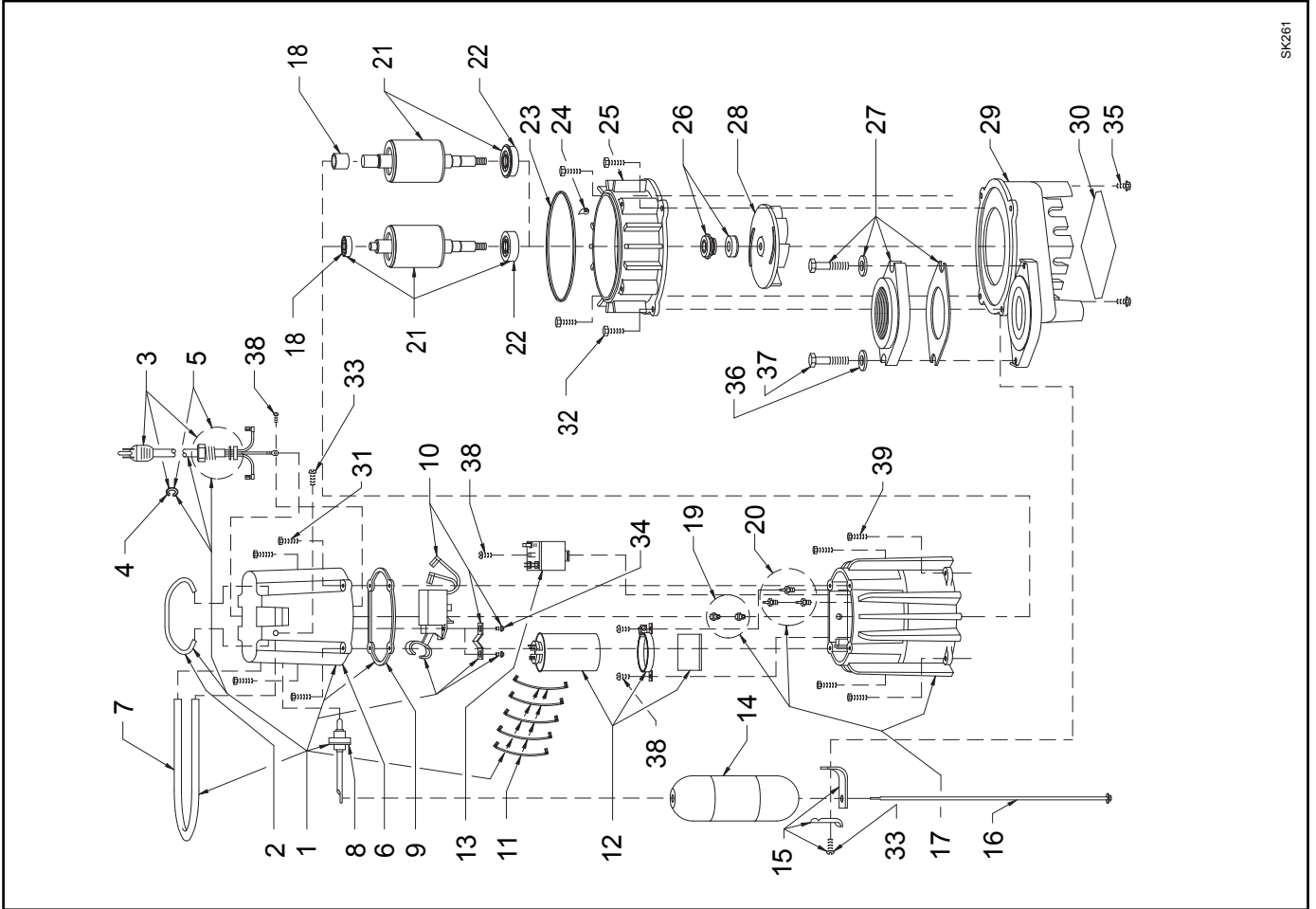
PUMP COMPANY

MAIL TO: P.O. BOX 16347 • Louisville, KY 40256-0347
 SHIP TO: 3649 Cane Run Road • Louisville, KY 40211-1961
 (502) 778-2731 • 1 (800) 928-PUMP • FAX (502) 774-3624

Your Peace of Mind is Our Top Priority®

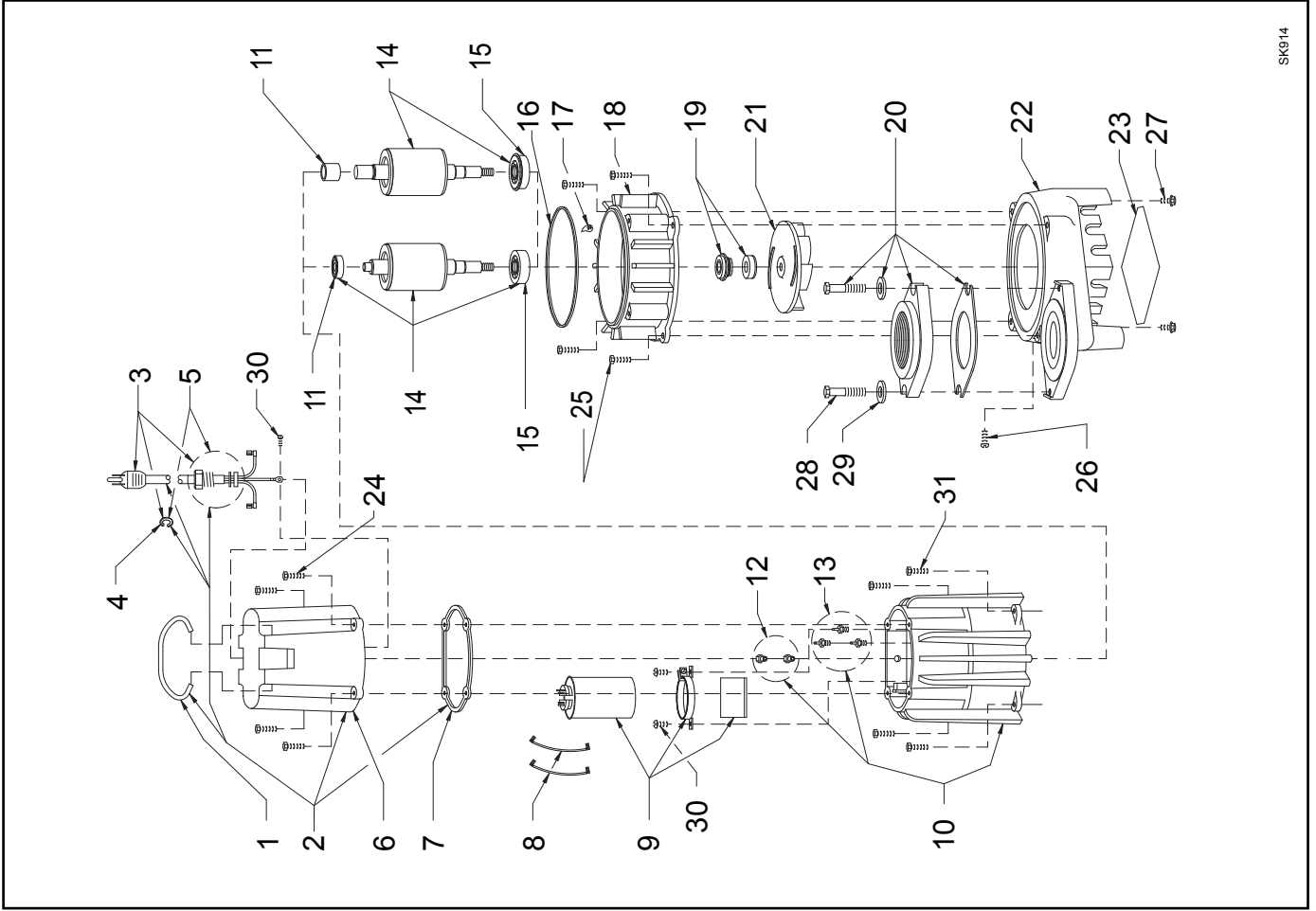
visit our web site:
www.zoeller.com

REPLACEMENT PARTS ILLUSTRATION FOR MODEL "D188"



SK261

REPLACEMENT PARTS ILLUSTRATION FOR MODEL "E188"



SK914