

Product information presented here reflects conditions at time of publication. Consult factory regarding discrepancies or inconsistencies.

PUMP COMPANY

Zoeller Family of Water Solutions™

MAIL TO: P.O. BOX 16347 • Louisville, KY 40256-0347
 SHIP TO: 3649 Cane Run Road • Louisville, KY 40211-1961
 (502) 778-2731 • 1 (800) 928-PUMP • FAX (502) 774-3624

visit our web site:
www.zoeller.com

REPLACEMENT PARTS LIST FOR MODELS:

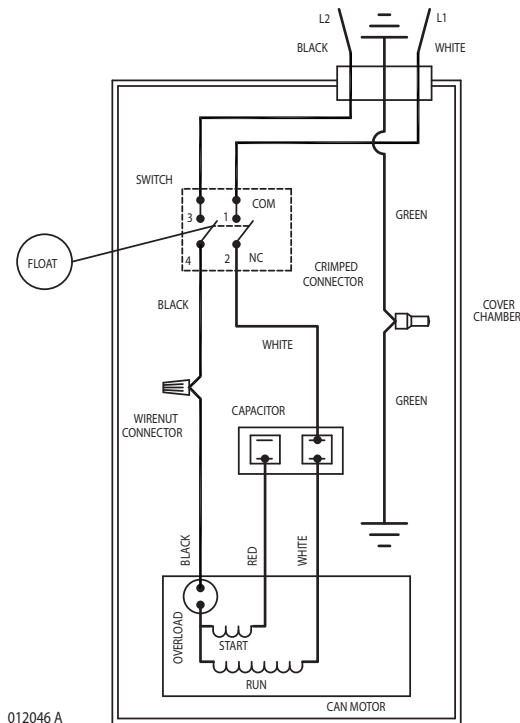
**M211 AUTOMATIC 115V
 N211 NONAUTOMATIC 115V**

Consult factory for all other models

TO ORDER REPLACEMENT PARTS:

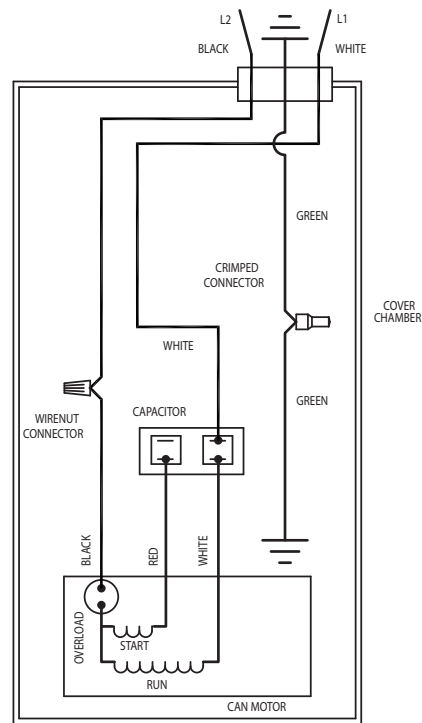
PLEASE FURNISH THE FOLLOWING INFORMATION:

- Model Number.
- Part Number of Pump.
- Part Number and Description of part.



012046 A

WIRING DIAGRAM FOR MODELS
 M211
 06/01 thru Current



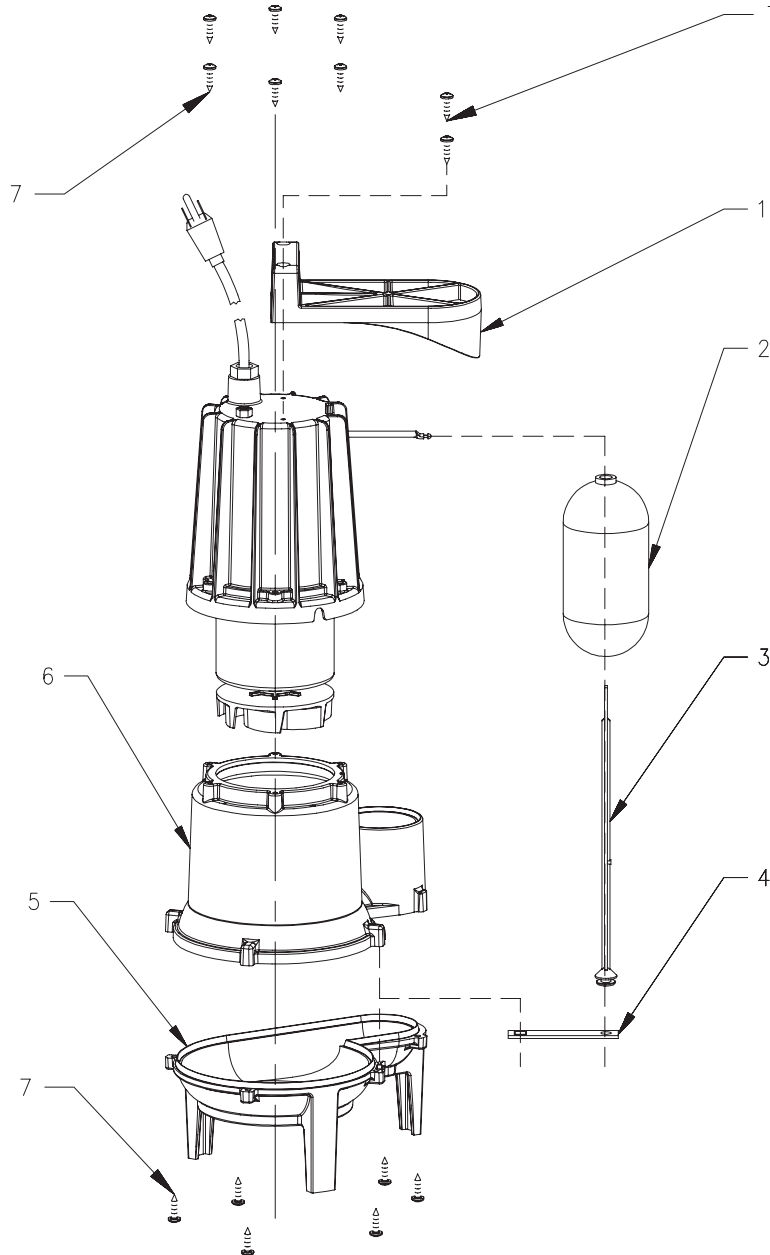
012047 A

WIRING DIAGRAM FOR MODELS
 N211
 06/01 thru Current

REPLACEMENT PARTS LIST FOR MODELS: "M211" and "N211"

MODEL: M211			Rev. A
REF. NO.	DESCRIPTION	QTY	06/01 thru Current
1	Guard/Handle	1	012029
2	Float-Polypropylene	1	034019
3	Float-Rod	1	006215
4	Guide	1	014749
5	Base	1	013444
6	Pump Housing	1	013443
7	Screw	14	012042

MODEL: N211			Rev. A
REF. NO.	DESCRIPTION	QTY	06/01 thru Current
1	Handle	1	012030
2	N/A	N/A	N/A
3	N/A	N/A	N/A
4	N/A	N/A	N/A
5	Base	1	013444
6	Pump Housing	1	013443
7	Screw	14	012042



SK2161



MAIL TO: P.O. BOX 16347 • Louisville, KY 40256-0347
SHIP TO: 3649 Cane Run Road • Louisville, KY 40211-1961
(502) 778-2731 • 1 (800) 928-PUMP • FAX (502) 774-3624

Your Peace of Mind is Our Top Priority®

visit our web site:
www.zoeller.com