

Product information presented here reflects conditions at time of publication. Consult factory regarding discrepancies or inconsistencies.



**PUMP COMPANY**

Zoeller Family of Water Solutions™

MAIL TO: P.O. BOX 16347 • Louisville, KY 40256-0347  
 SHIP TO: 3649 Cane Run Road • Louisville, KY 40211-1961  
 (502) 778-2731 • 1 (800) 928-PUMP • FAX (502) 774-3624

visit our web site:  
[www.zoeller.com](http://www.zoeller.com)

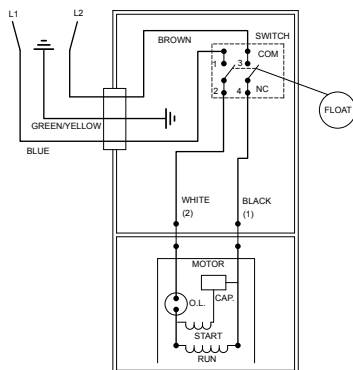
## REPLACEMENT PARTS LIST FOR MODELS:

**M264 AUTOMATIC 115V**  
**N264 NONAUTOMATIC 115V**  
**WM264 AUTOMATIC w/wired float switch 115V**  
**D264 AUTOMATIC 230V**  
**E264 NONAUTOMATIC 230V**

### TO ORDER REPLACEMENT PARTS:

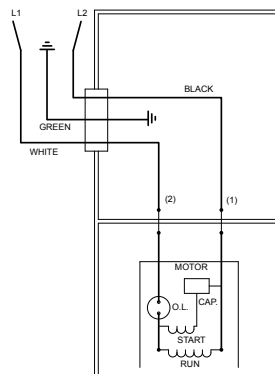
PLEASE FURNISH THE FOLLOWING INFORMATION:

- Model Number.
- Part Number of Pump.
- Part Number and Description of part.



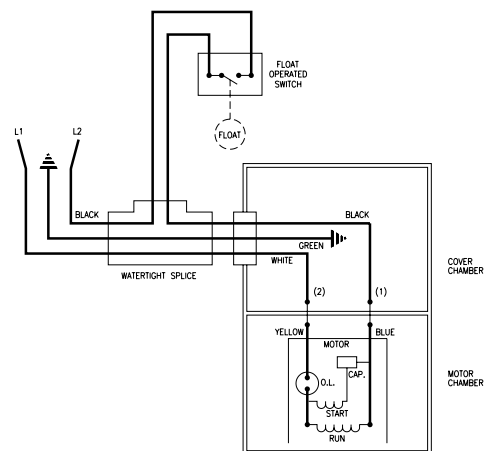
009060B

WIRING DIAGRAM FOR MODELS  
 "M264-A" and "D264-A"  
 6/96 thru Current



009059B

WIRING DIAGRAM FOR MODELS  
 "N264-A" and "E264-A"  
 6/96 thru Current



010908B

WIRING DIAGRAM FOR MODEL  
 "WM264-A"  
 6/96 thru Current

REPLACEMENT PARTS LIST FOR MODELS "M264" and "D264".

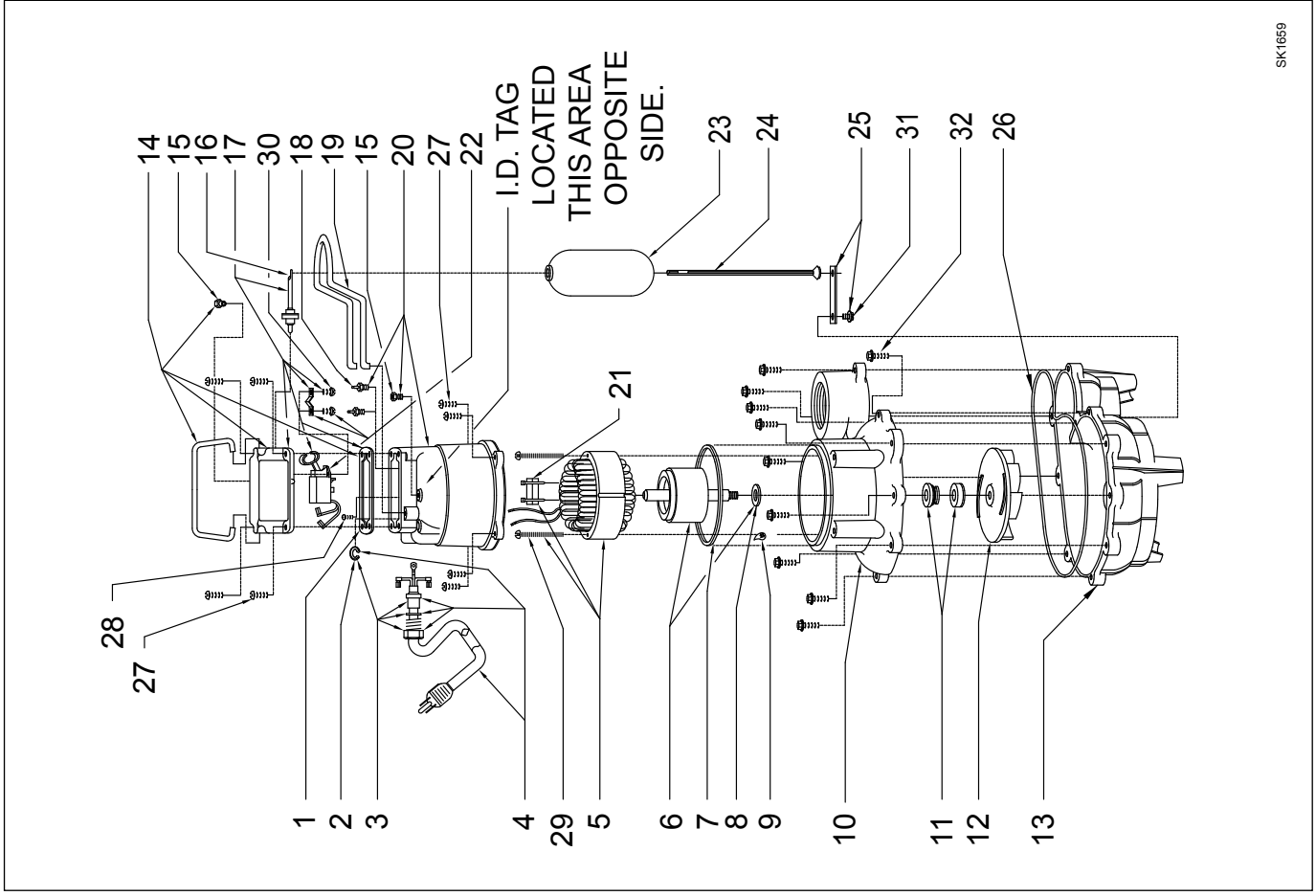
REF. NO.	DESCRIPTION	MODELS: M264-A		M264-B		D264-A		D264-B	
		QTY	NOTES	6/96 thru 7/09	8/09 Current	6/96 thru 7/09	8/09 Current	6/96 thru 7/09	8/09 Current
1	GASKET, CASE/COVER	1		034046	034046	034046	034046	034046	034046
2	CLAMP, STRAIN RELIEF	1		004200	004200	004200	004200	004200	004200
3	SEAL, CORD-ASM "264"	1	1	004322	004322	004322	004322	004322	004322
4	CORD TERM & SEAL 15'	1	1	010925	010925	010926	010926	010926	010926
5	STATOR W/SCREWS 230V/1PH (HPIC or TPIC)	3	3	012084	012084	N/A	N/A	N/A	N/A
	STATOR W/SCREWS 115V/1PH (TPIC)	1	3	N/A	N/A	018593	018593	018593	018593
	STATOR W/SCREWS 115V/1PH (GE)	3	3	010271	010271	N/A	N/A	N/A	N/A
6	ROTOR ASM 115V/230V 1PH (HPIC or TPIC)	1		012085	012085	012085	012085	012085	012085
7	SEAL, MTR. HSG	1		034007	034007	034007	034007	034007	034007
8	WASHER, TRST-NYL .875X.504	1		002140	002140	002140	002140	002140	002140
9	OIL DIELECTRIC-(30.5 OZ)	1		007051	007051	007051	007051	007051	007051
10	HOUSING, PUMP-MACH "264"	1		010718	010718	010718	010718	010718	010718
11	SEAL ASM:SHAFT-BLISTER PK	1		267027	267027	267027	267027	267027	267027
12	IMPELLER	1		002570	002570	002570	002570	002570	002570
13	BASE, PLASTIC	1		005199	005199	005199	005199	005199	005199
14	CASE HANDLE & ARM	1		011494	011494	011494	011494	011494	011494
15	PLUG, TEST-WHITE	2		034090	034090	034090	034090	034090	034090
16	ARM & SEAL ASM	1		011509	011509	011509	011509	011509	011509
17	CASE & SWITCH	1		011511	011511	011511	011511	011511	011511
18	SEAL THRU WALL TERM	2		003402	003402	003402	003402	003402	003402
19	GUARD	1		010717	010717	010717	010717	010717	010717
20	HOUSING, MTR	1		004712	004712	004712	004712	004712	004712
21	CAPACITOR	1		007642	007642	007642	007642	007642	007642
22	SWITCH ASM	1		004705	004705	004705	004705	004705	004705
23	FLOAT-POLYPROPYLENE	1		034019	034019	034019	034019	034019	034019
24	ROD, FLOAT-MOLDED	1		010935	010935	010935	010935	010935	010935
25	GUIDE ASM, FLT ROD	1		005477	005477	005477	005477	005477	005477
26	O-RING	1		005701	005701	005701	005701	005701	005701
27	SCREW #10-24 X.75 RHM-SL	8		001885	001885	001885	001885	001885	001885
28	SCREW #6-32 X.25 RHM SL TC	1		001877	001877	001877	001877	001877	001877
29	SCREW #8-32 X 2.563 RHPL	2		001914	001914	001914	001914	001914	150099
30	SCREW #6-32 X.43RHLP-1"	2		004644	004644	004644	004644	004644	004644
31	SEM.10-12X.5HA-SL SHMT	1		003229	003229	003229	003229	003229	003229
32	SCREW #10-10X1-UNSLTD HE	10		005326	005326	005326	005326	005326	005326
□	REBUILD KIT "264"	1		011515	011515	011515	011515	011515	011515

• Items included in Rebuild Kit. □ Not Shown in Illustration.

NOTES:

- 1) If an "X" follows Model No., of Date Mfg. on brass ID tag, consult factory for ordering of this part.
- 2) See FM0160 Parts Price Sheet for listing of parts prices.
- 3) Kits are supplied with two different size screws for mounting stators. During assembly verify length and ensure the screws are seated properly.

REPLACEMENT PARTS ILLUSTRATION FOR MODELS "M264" and "D264"



**REPLACEMENT PARTS LIST FOR MODELS "N264" and "E264".**

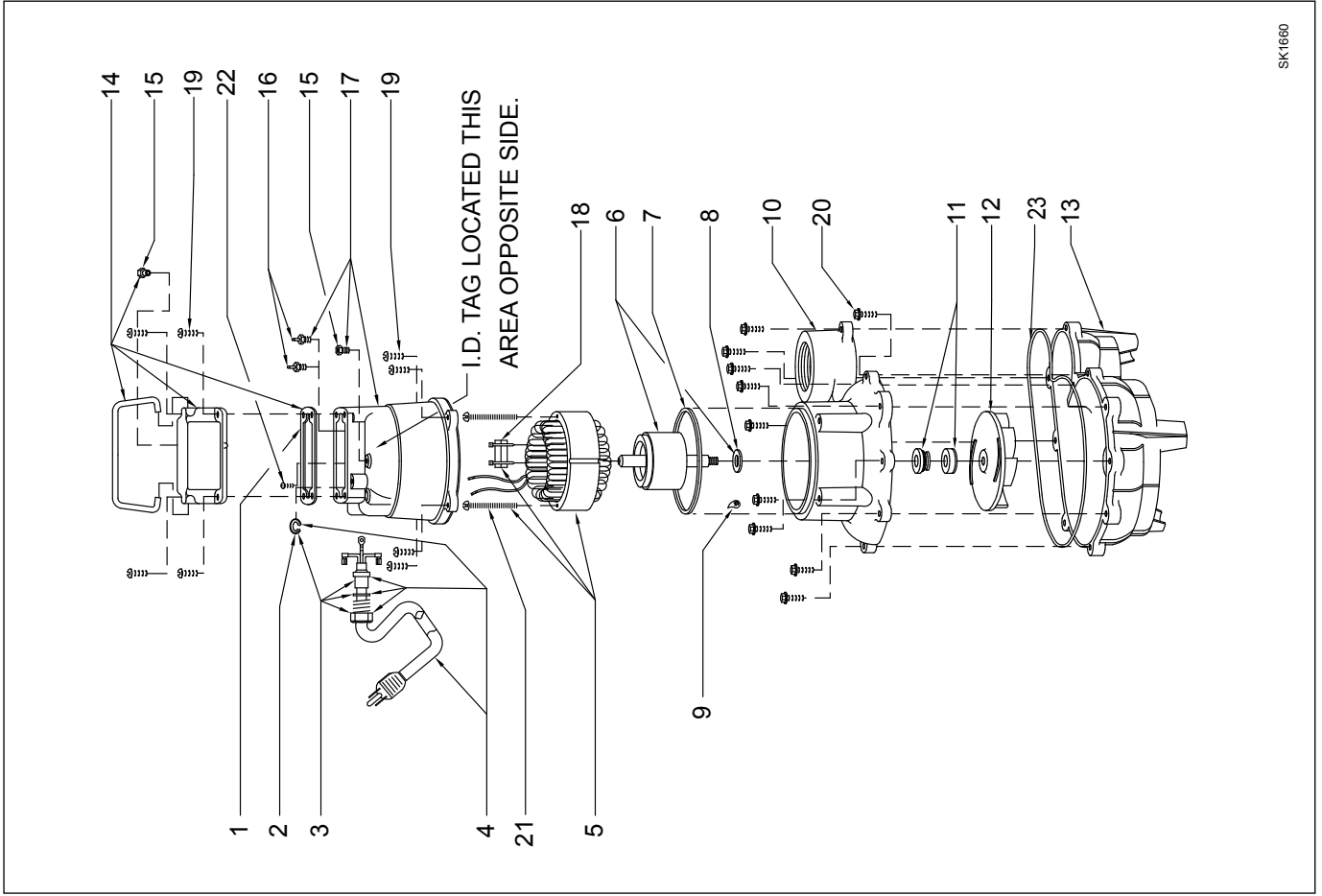
REF. NO.	DESCRIPTION	MODELS: N264-A		MODELS: N264-B		E264-A		E264-B	
		QTY	NOTES	6/96 thru 7/09	8/09 thru Current	6/96 thru 7/09	8/09 thru Current	6/96 thru 7/09	8/09 thru Current
1	GASKET, CASE/COVER	1		034046	034046	034046	034046	034046	034046
2	CLAMP, STRAIN RELIEF	1		004200	004200	004200	004200	004200	004200
3	SEAL, CORD-ASM "264"	1	1	004322	004322	004322	004322	004322	004322
4	CORD TERM & SEAL, 15'	1	1	010927	010927	010928	010928	010928	010928
5	STATOR W/SCREWS 115V/1PH (HPIC OR TPIC)	1	3	012084	012084	N/A	012084	012084	012084
	STATOR W/SCREWS 230V/1PH (TPIC)			N/A	N/A	018593	018593	018593	
	STATOR W/SCREWS 230V/1PH (GE)			010271	010271	N/A	010271	010271	
6	STATOR W/SCREWS 230V/1PH (GE)	1	3	N/A	N/A	010272	010272	010272	010272
	ROTOR ASM 115V/230V 1PH (HPIC OR TPIC)			012085	012085	012085	012085	012085	
7	ROTOR ASM 115/230V 1PH (GE)	1	1	010270	010270	010270	010270	010270	010270
	SEAL, MTR. HSG			034007	034007	034007	034007	034007	
8	WASHER, TRST-NYL .875X.504	1		002140	002140	002140	002140	002140	002140
9	OIL DIELECTRIC-(30.5 OZ)	1		007051	007051	007051	007051	007051	007051
10	HOUSING,PUMP-MACH "264"	1		010718	010718	010718	010718	010718	010718
11	SEAL,ASM,SHAFT-BLISTER PK	1		267027	267027	267027	267027	267027	267027
12	IMPELLER	1		002570	002570	002570	002570	002570	002570
13	BASE, PLASTIC	1		005199	005199	005199	005199	005199	005199
14	COVER, HANDLE	1		002580	002580	002580	002580	002580	002580
15	PLUG,TEST-WHITE	2		034090	034090	034090	034090	034090	034090
16	SEAL THRU WALL TERM	2		003402	003402	003402	003402	003402	003402
17	HOUSING,MTR	1		004712	004712	004712	004712	004712	004712
18	CAPACITOR	1		007642	007642	007642	007642	007642	007642
19	SCREW,#10-24 X.75 RHM-SL	8		001885	001885	001885	001885	001885	001885
20	SCREW,#10-10X1-UNSLD HE	10		005326	005326	005326	005326	005326	005326
21	SCREW,#8-32 X 2.563 RHPL	2		001914	150099	001914	150099	001914	150099
22	SCREW,#6-32X.25 RHM SL TC	1		001877	001877	001877	001877	001877	001877
23	O-RING	1		005701	005701	005701	005701	005701	005701
□	REBUILD KIT "264"	1		011515	011515	011515	011515	011515	011515

□ Items included in Rebuild Kit. □ Not Shown in Illustration.

**NOTES:**

- 1) If an "X" follows Model No., of Date Mfg. on brass ID tag, consult factory for ordering of this part.
- 2) See FM0160 Parts Price Sheet for listing of parts prices.
- 3) Kits are supplied with two different size screws for mounting stators. During assembly verify length and ensure the screws are seated properly.

**REPLACEMENT PARTS ILLUSTRATION FOR MODELS "N264" and "E264"**



REPLACEMENT PARTS LIST FOR MODELS "WM264"

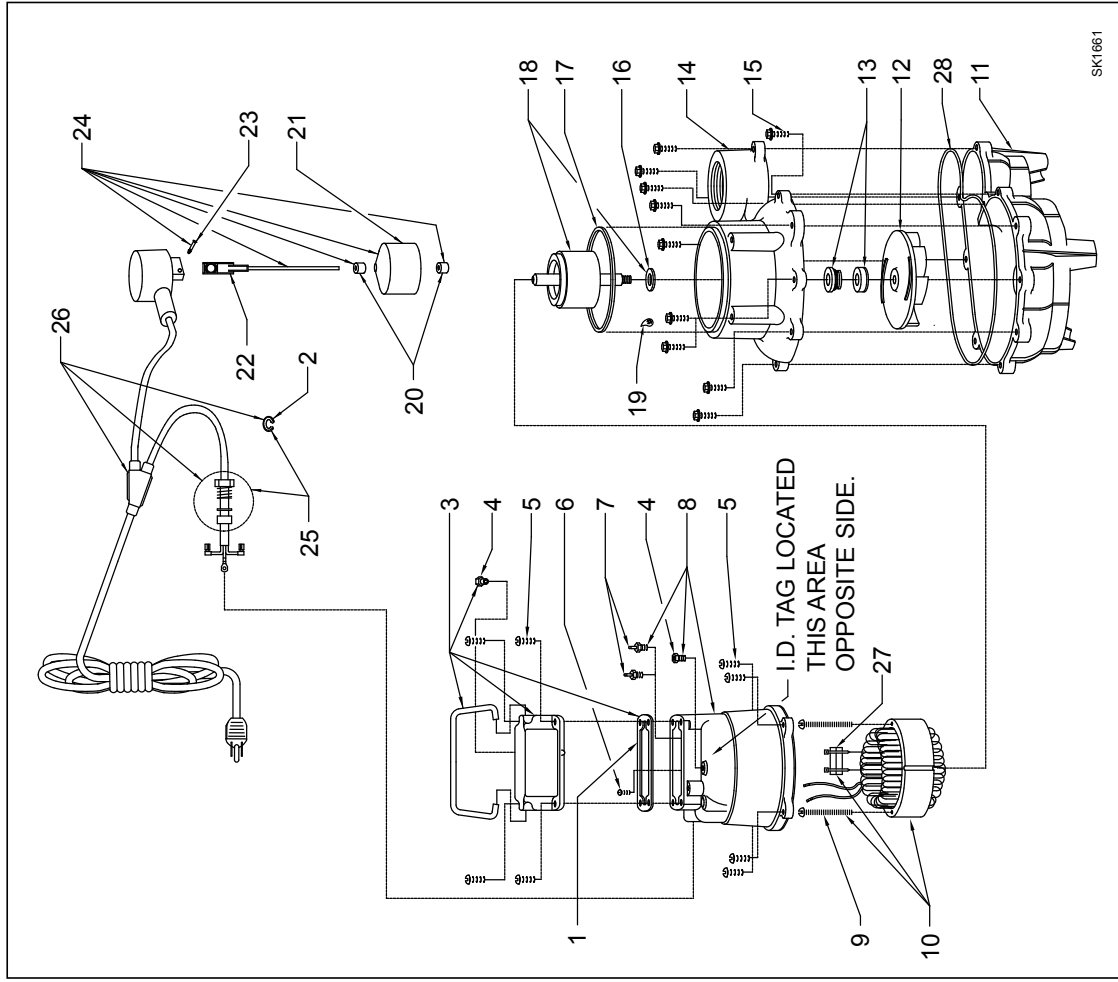
REF. NO.	DESCRIPTION	MODELS: WM264-A		WM264-B	
		QTY	NOTES	6/96 thru 7/09	9/08 thru Current
1	GASKET, CASE/COVER	1		034046	034046
2	CLAMP, STRAIN RELIEF	1		001770	001770
3	COVER & HANDLE	1		002580	002580
4	PLUG, TEST-WHITE	1		034090	034090
5	SCREW,#10-24 X.75 RHM-SL	8		001885	001885
6	SCREW,#6-32X.25 RHM SL TC	1		001877	001877
7	SEAL, THRU WALL TERM'R	2		003402	003402
8	HOUSING,MTR-& TERM,ASM.	1		004712	004712
9	SCREW,#8-32 X 2.563 RHPL	2	3	001914	150099
10	STATOR W/SCREWS 115V/1PH (HPIC OR TPIC)	1	3	012084	012084
11	STATOR W/SCREWS 115V/1PH (GE)	1	3	010271	010271
12	BASE,PLASTIC	1		005199	005199
13	IMPELLER	1		002570	002570
14	SEAL,ASM,SHAFT-BLISTER PK	1		267027	267027
15	HOUSING,PUMP-MACH "264"	1		010718	010718
16	SCREW,#10-10X1-UNSLTD HE	10		005326	005326
17	WASHER,TRST-NYL .875X.504	1		002140	002140
18	SEAL,MTR HSG	1		034007	034007
19	ROTOR ASM 115V 1PH (HPIC OR TPIC)	1		012085	012085
20	ROTOR ASM 115/230V 1PH (GE)	1		010270	010270
21	OIL,DIELECTRIC-(30.5 OZ)	1		007051	007051
22	FLOAT ROD STOP-MECH SWIT	2		009120	009120
23	FLOAT,MECH SWITCH	1		009119	009119
24	ROD,FLOAT-VERT SWITCH	1		010499	010499
25	FLOAT ROD RETAINING PIN	1		009121	009121
26	HARDWARE PACK, VERT SW	1		010532	010532
27	SEAL,CORD-ASM "WM264/1264"	1		011562	011562
28	SWITCH & CORD,SEAL,ASM WM264	1		011563	011563
29	CAPACITOR	1		007642	007642
30	O-RING	1		005701	005701
31	REBUILD KIT "WM264/WM1264"	1		011514	011514

• Items included in Rebuild Kit. □ Not Shown in Illustration.

NOTES:

- 1) If an "X" follows Model No., of Date Mfg. on brass ID tag, consult factory for ordering of this part.
- 2) See FM0160 Parts Price Sheet for listing of parts prices.
- 3) Kits are supplied with two different size screws for mounting stators. During assembly verify length and ensure the screws are seated properly.

REPLACEMENT PARTS ILLUSTRATION FOR MODEL "WM264"



SKI1861