

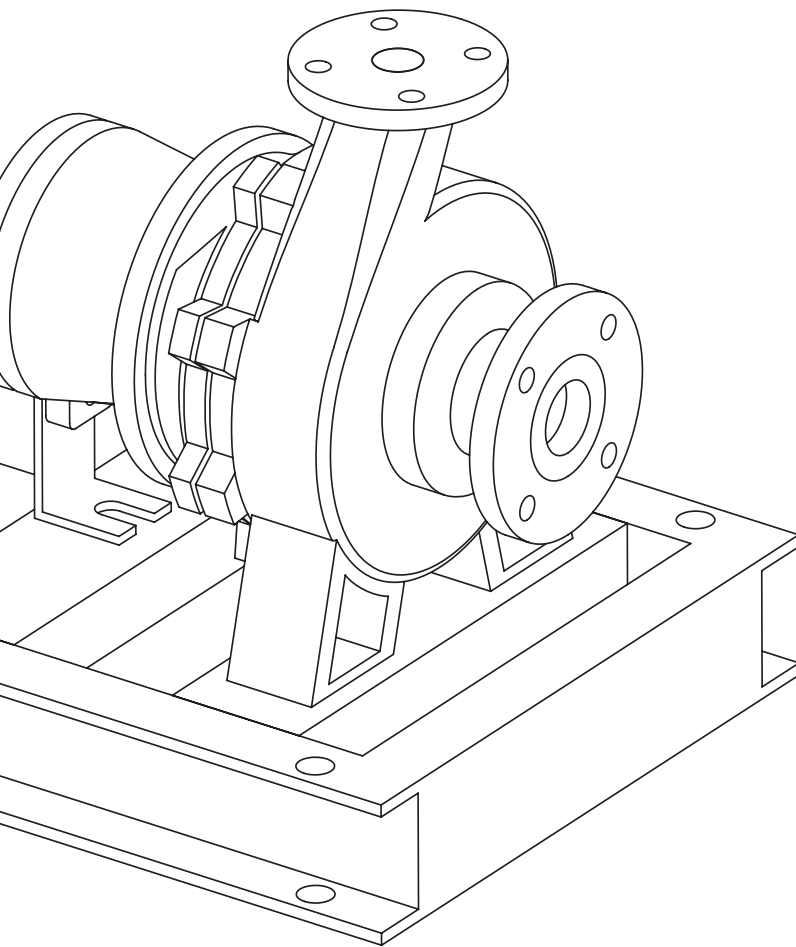
Series 4030 base mounted pumps

Centerline discharge
S designation

Parts list

Y" impeller bore
1 $\frac{1}{4}$ " mechanical seal

File No: 6040.120
Date: JULY 07, 2014
Supersedes: 6040.120
Date: JUNE 05, 2014



NEMA FRAME ASSIGNMENTS

Open & TEFC (TEFC frames in grey box where different than open)

NEMA FRAME PROGRAM HP	3600 RPM			1800 RPM			1200 RPM			900 RPM		
	T FRAMES 1964	U FRAMES 1952	ORIGINAL NEMA FRAMES	T FRAMES 1964	U FRAMES 1952	ORIGINAL NEMA FRAMES	T FRAMES 1964	U FRAMES 1952	ORIGINAL NEMA FRAMES	T FRAMES 1964	U FRAMES 1952	ORIGINAL NEMA FRAMES
1½	-	-	-	143T	182	203	145T	184	204	182T	213	225
2	143T	182	203	145T	184	204	184T	213	225	184T	213	254
3	145T	184	204	145T	184	224	182T	213	225	213T	215	254
5	182T	184	224	182T	213	225	184	215	254	215T	254U	284
7½	184T	213	225	184	215	254	213T	254U	284	215T	256U	324
10	213T	215	254	213T	254U	284	215T	256U	324	256T	284	326
15	215T	254U	284	215T	256U	324	254T	284T	326	284T	234T	364
20	254T	256U	324	256T	286U	364	256T	286U	364	286T	326U	365
25	256T	284U	364S	284T	324U	364	284T	324U	364	324T	364U	404
30	284TS	286U	365S	286T	326U	365	286T	326U	404	326T	365U	405
40	286TS	324S	364S	324T	364U	404	324T	364U	404	364T	404U	444
50	324TS	326S	365S	326T	364US	405S	326T	365US	405	365T	405U	445
60	326TS	364US	404S	326T	365US	405S	326T	365US	405	404T	444U	504U
75	364TS	405US	405S	364TS	404US	444S	364TS	405US	444S	405T	445U	505
100	365TS	444US	444S	365TS	405US	445S	365TS	405US	445S	444T	-	-
125	404TS	445US	445S	404TS	444US	504S	404TS	444US	504S	445T	-	-
150	405TS	445US	504S	405TS	445US	505S	405TS	445US	505S	-	-	-
200	444TS	-	-	444TS	-	-	444TS	-	-	-	-	-
250	445TS	-	-	445TS	-	-	445TS	-	-	-	-	-

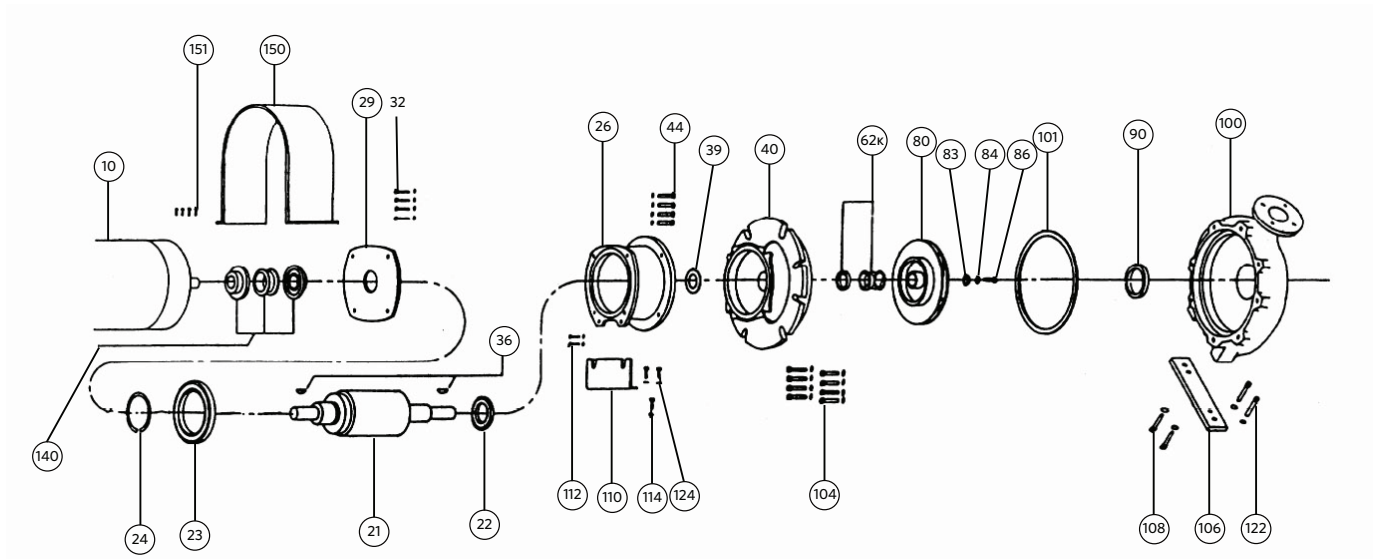
Series 4030

Centerline discharge, base mounted pump

S DESIGNATION

7/8" impeller bore - 1 1/4" mechanical seal

Exploded view - permanent grease lubrication



INDEX

ITEM	DESCRIPTION	PAGE
	Bearing frame assembly	18
20	Bearing housing	18
21	Shaft assembly	18
22	Ball bearing (inboard)	18
23	Ball bearing (outboard)	18
24	Snap ring	18
29	Bearing cover	18
32	Bearing cover capscrew	18
36	Impeller/coupler key	18
39	Water slinger	18
40	Adapter	13
44	Adapter capscrew	17
62k	Mechanical seal assembly	18

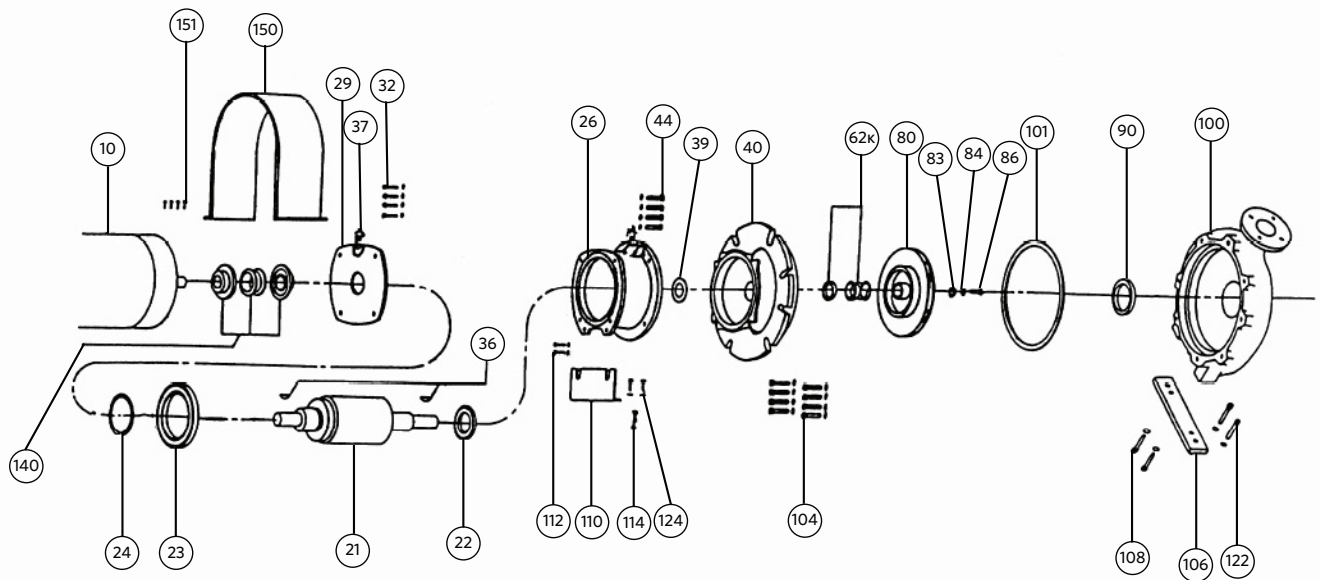
ITEM	DESCRIPTION	PAGE
80	Impeller	10
83	Impeller washer	18
86	Impeller capscrew	18
100	Casing	7
101	Casing gasket	16
104	Casing bolts	12
106	Casing support foot	24
108	Casing support foot capscrew	26
110	Bearing housing support foot	24
112	Support foot capscrew (upper)	25
122	Casing capscrew	27
124	Support foot capscrew (lower)	25
140	Coupler	28

Series 4030

Centerline discharge, base mounted pump

S DESIGNATION

7/8" impeller bore - 1 1/4" mechanical seal
Exploded view - regreaseable bearings



INDEX

ITEM	DESCRIPTION	PAGE	ITEM	DESCRIPTION	PAGE
	Bearing frame assembly	20	62K	Mechanical seal assembly	20
20	Bearing housing	20	80	Impeller	10
21	Shaft assembly	20	83	Impeller washer	20
22	Ball bearing (inboard)	20	86	Impeller capscrew	20
23	Ball bearing (outboard)	20	100	Casing	7
24	Snap ring	20	101	Casing gasket	16
29	Bearing cover	20	104	Casing bolts	12
32	Bearing cover capscrew	20	106	Casing support foot	24
36	Impeller/coupler key	20	108	Casing support foot capscrew	26
37	Grease fitting	20	110	Bearing housing support foot	24
39	Water slinger	20	112	Support foot capscrew (upper)	25
40	Adapter	13	122	Casing capscrew	27
44	Adapter capscrew	17	124	Support foot capscrew (lower)	25
			140	Coupler	28

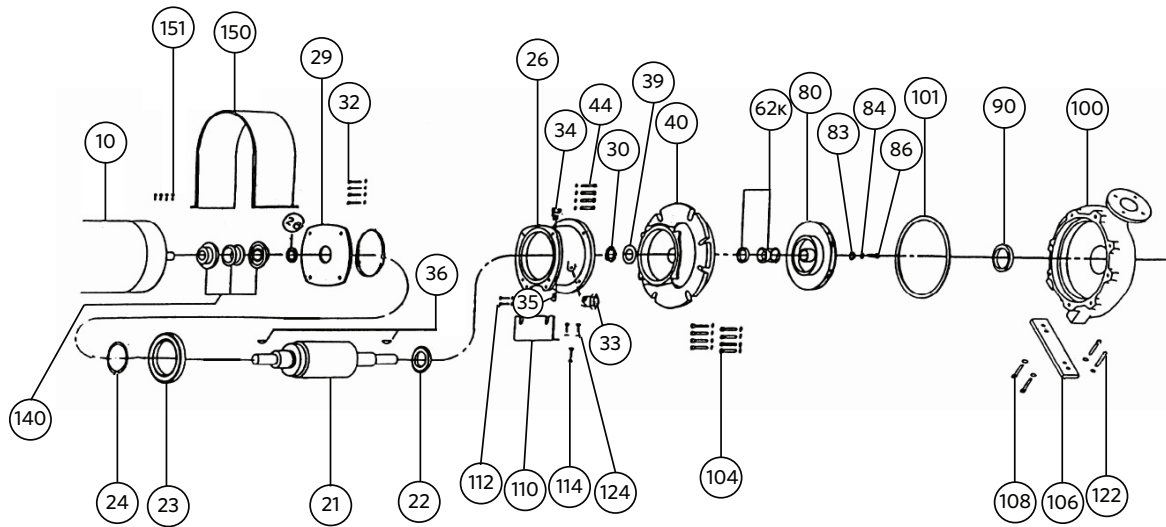
Series 4030

Centerline discharge, base mounted pump

S DESIGNATION

7/8" impeller bore - 1 1/4" mechanical seal

Exploded view - oil lubrication



INDEX

ITEM	DESCRIPTION	PAGE
	Bearing frame assembly	22
20	Bearing housing	22
21	Shaft assembly	22
22	Ball bearing (inboard)	22
23	Ball bearing (outboard)	22
24	Snap ring	22
28	Oil seal (outboard)	22
29	Bearing cover	22
30	Oil seal (inboard)	22
31	O - ring	22
32	Bearing cover cap screw	22
33	Oil view gauge	22
34	Vent gauge	22
35	Pipe plug	22
36	Impeller/coupler key	22
39	Water slinger	22

ITEM	DESCRIPTION	PAGE
40	Adapter	13
44	Adapter cap screw	17
62K	Mechanical seal assembly	22
80	Impeller	10
83	Impeller washer	22
86	Impeller cap screw	22
100	Casing	7
101	Casing gasket	16
104	Casing bolts	12
106	Casing support foot	24
108	Casing support foot cap screw	26
110	Bearing housing support foot	24
112	Support foot cap screw (upper)	25
122	Casing cap screw	27
124	Support foot cap screw (lower)	25
140	Coupler	28

ITEM 100: CASING

PUMP SIZE	PRESSURE RATING (LB)	CONSTRUCTION	PART NUMBER	BAR CODE
1.5 × 1 × 6	125	Cast iron	426101-011	
	250	Ductile iron	426102-031	
	125	All bronze	426101-041	
3 × 1.5 × 6	125	Cast iron	426597-011	
	250	Ductile iron	426598-031	
	125	All bronze	426597-041	
3 × 2 × 6	125	Cast iron	426109-011	
	250	Ductile iron	426110-031	
	125	All bronze	426109-041	
3 × 2.5 × 6	125	Cast iron	427107-011	
	250	Ductile iron	427108-031	
	125	All bronze	427107-041	
4 × 3 × 6	125	Cast iron	427292-011	
	250	Ductile iron	427292-031	
	125	All bronze	427292-041	
6 × 6 × 6	125	Cast iron	427907-041	
	250	Ductile iron	427908-031	
	125	All bronze	427907-041	
1.5 × 1 × 8	125	Cast iron	426188-011	
	250	Ductile iron	426189-031	
	125	All bronze	426188-041	
3 × 1.5 × 8	125	Cast iron	426599-011	
	250	Ductile iron	426600-031	
	125	All bronze	426599-041	
3 × 2 × 8	125	Cast iron	426125-011	
	250	Ductile iron	426126-031	
	125	All bronze	426125-041	

ITEM 100: CASING (continued)

PUMP SIZE	PRESSURE RATING (LB)	CONSTRUCTION	PART NUMBER	BAR CODE
3 × 2.5 × 8	125	Cast iron	427236-011	
	250	Ductile iron	427237-031	
	125	All bronze	427236-041	
4 × 3 × 8	125	Cast iron	426129-011	
	250	Ductile iron	426130-031	
	125	All bronze	426129-041	
5 × 4 × 8	125	Cast iron	426107-011	
	250	Ductile iron	426108-031	
	125	All bronze	426107-041	
6 × 4 × 8w	125	Cast iron	426624-011	
	250	Ductile iron	426625-031	
	125	All bronze	426624-041	
8 × 8 × 8	125	Cast iron	427913-011	
	250	Ductile iron	427913-031	
	125	All bronze	427913-041	
2 × 1 × 10	125	Cast iron	426137-011	
	250	Ductile iron	426138-031	
	125	All bronze	426137-041	
2 × 1.5 × 10	125	Cast iron	426259-011	
	250	Ductile iron	426260-031	
	125	All bronze	426259-041	
3 × 1.5 × 10	125	Cast iron	426139-011	
	250	Ductile iron	426140-031	
	125	All bronze	426139-041	

ITEM 100: CASING (continued)

PUMP SIZE	PRESSURE RATING (LB)	CONSTRUCTION	PART NUMBER	BAR CODE
3 × 2 × 10	125	Cast iron	426143-011	
	250	Ductile iron	426144-031	
	125	All bronze	426143-041	
3 × 2.5 × 10	125	Cast iron	427290-011	
	250	Ductile iron	427291-031	
	125	All bronze	427290-041	
4 × 3 × 10	125	Cast iron	426149-011	
	250	Ductile iron	426150-031	
	125	All bronze	426149-041	
5 × 4 × 10	125	Cast iron	426111-011	
	250	Ductile iron	426112-031	
	125	All bronze	426111-041	
6 × 4 × 10	125	Cast iron	426153-011	
	250	Ductile iron	426154-011	
	125	All bronze	426153-041	
6 × 5 × 10	125	Cast iron	427238-011	
	250	Ductile iron	427239-041	
	125	All bronze	427238-041	
4 × 3 × 11.5	125	Cast iron	426147-011	
	250	Ductile iron	426148-031	
	125	All bronze	426147-041	
5 × 4 × 11.5	125	Cast iron	426151-011	
	250	Ductile iron	426152-031	
	125	All bronze	426152-041	

ITEM 80: IMPELLER*

PUMP SIZE	CONSTRUCTION**	PART NUMBER	BAR CODE
1.5 × 1 × 6	Bronze fitted & all bronze	427101-041	
	Ductile iron & all iron	427101-011	
3 × 1.5 × 6	Bronze fitted & all bronze	427109-041	
	Ductile iron & all iron	427109-011	
3 × 2 × 6	Bronze fitted & all bronze	427111-041	
	Ductile iron & all iron	427111-011	
3 × 2.5 × 6	Bronze fitted & all bronze	427103-041	
	Ductile iron & all iron	427103-011	
4 × 3 × 6	Bronze fitted & all bronze	427117-041	
	Ductile iron & all iron	427117-011	
6 × 6 × 6	Bronze fitted & all bronze	427909-041	
	Ductile iron & all iron	427909-011	
1.5 × 1 × 8	Bronze fitted & all bronze	426228-041	
	Ductile iron & all iron	426228-011	
3 × 1.5 × 8	Bronze fitted & all bronze	427121-041	
	Ductile iron & all iron	427121-011	
3 × 2 × 8	Bronze fitted & all bronze	427125-041	
	Ductile iron & all iron	427125-011	
3 × 2.5 × 8	Bronze fitted & all bronze	427127-041	
	Ductile iron & all iron	427127-011	
4 × 3 × 8	Bronze fitted & all bronze	427129-041	
	Ductile iron & all iron	427129-011	
5 × 4 × 8	Bronze fitted & all bronze	427137-041	
	Ductile iron & all iron	427137-011	
6 × 4 × 8w	Bronze fitted & all bronze	427137-041	
	Ductile iron & all iron	427137-011	
8 × 8 × 8	Bronze fitted & all bronze	427917-041	
	Ductile iron & all iron	427917-041	

ITEM 80: IMPELLER* (continued)

PUMP SIZE	CONSTRUCTION**	PART NUMBER	BAR CODE
2 × 1 × 10	Bronze fitted & all bronze	427151-041	
	Ductile iron & all iron	427151-011	
2 × 1.5 × 10	Bronze fitted & all bronze	426255-041	
	Ductile iron & all iron	426255-011	
3 × 1.5 × 10	Bronze fitted & all bronze	427151-041	
	Ductile iron & all iron	427151-011	
3 × 2 × 10	Bronze fitted & all bronze	427163-041	
	Ductile iron & all iron	427163-011	
3 × 2.5 × 10	Bronze fitted & all bronze	427123-041	
	Ductile iron & all iron	427123-011	
4 × 3 × 10	Bronze fitted & all bronze	427149-041	
	Ductile iron & all iron	427149-011	
5 × 4 × 10	Bronze fitted & all bronze	427153-041	
	Ductile iron & all iron	427153-011	
6 × 4 × 10	Bronze fitted & all bronze	427153-041	
	Ductile iron & all iron	427153-011	
6 × 5 × 10	Bronze fitted & all bronze	427159-041	
	Ductile iron & all iron	427159-011	
4 × 3 × 11.5	Bronze fitted & all bronze	426281-041	
	Ductile iron & all iron	426281-011	
5 × 4 × 11.5	Bronze fitted & all bronze	426283-041	
	Ductile iron & all iron	426283-011	

NOTE:

*Impeller part numbers are for unbalanced, full diameter impellers. Always specify the Pump serial number. If possible, measure the diameter of the impeller being replaced.

**All Bronze construction: Parts in contact with the pumped liquid are bronze, copper or stainless steel.

Bronze Fitted construction: Parts in contact with the pumped liquid are bronze or copper, except casing and adapter.

All Iron construction: Parts in contact with the pumped liquid are cast iron or steel, except shaft sleeve & mechanical seal.

ITEM 104: CASING CAPSCREW & WASHER

PUMP SIZE	AMOUNT REQUIRED	SIZE	PART NUMBER	BAR CODE
1.5 × 1 × 6 3 × 1.5 × 6 3 × 2 × 6	8	CAPSCREW ½" - 13NC × 1¼" LG.	911125-110	
3 × 2.5 × 6 4 × 3 × 6 6 × 6 × 6	8	WASHER ½" - SAE FLAT	927117-100	
1.5 × 1 × 8	8	HX. HD. CAPSCREW ⅝" - 11NC × 1½" LG.	911129-112	
3 × 1.5 × 8	8	WASHER ⅝" - SAE FLAT	927121-100	
3 × 2 × 8 3 × 2.5 × 8 4 × 3 × 8	8	HX. HD. CAPSCREW ⅝" - 11NC × 1½" LG.	911129-112	
5 × 4 × 8 6 × 4 × 8 8 × 8 × 8	8	WASHER ⅝" - SAE FLAT	927121-100	
2 × 1 × 10 2 × 1.5 × 10 3 × 1.5 × 10 3 × 2 × 10 3 × 2.5 × 10	12	HX. HD. CAPSCREW ⅝" - 11NC × 1½" LG.	911129-112	
4 × 3 × 10 5 × 4 × 10 6 × 4 × 10 6 × 5 × 10	12	WASHER ⅝" - SAE FLAT	927121-100	
4 × 3 × 11.5	16	HX. HD. CAPSCREW ⅝" - 11NC × 1½" LG.	911125-112	
5 × 4 × 11.5	16	WASHER ½" - SAE FLAT	927117-100	

ITEM 40: ADAPTER

125 LB - bronze fitted and all iron construction

PUMP SIZE	FRAME 56 143 - 184T	FRAMES 213 - 215T	FRAMES 254 - 256T	BAR CODE
1.5 × 1 × 6	426746-011	426746-011		
3 × 1.5 × 6	426746-011	426746-011		
3 × 2 × 6	426746-011	426746-011		
3 × 2.5 × 6	426746-011	426746-011		
4 × 3 × 6	426746-011	426746-011		
6 × 6 × 6	426746-011	426746-011		
1.5 × 1 × 8	426749-011	426749-011		
3 × 1.5 × 8	426749-011	426749-011	426749-011	
3 × 2 × 8	426749-011	426749-011	426749-011	
3 × 2.5 × 8	426749-011	426749-011	426749-011	
4 × 3 × 8	426749-011	426749-011		
5 × 4 × 8	426749-011	426749-011		
6 × 4 × 8w	426749-011	426749-011		
8 × 8 × 8	426749-011			
2 × 1 × 10	426753-011	426753-011		
2 × 1.5 × 10	426753-011	426753-011		
3 × 1.5 × 10	426753-011	426753-011		
3 × 2 × 10	426753-011	426753-011		
3 × 2.5 × 10	426753-011	426753-011		
4 × 3 × 10	426753-011	426753-011	426753-011	
5 × 4 × 10	426753-011	426753-011	426753-011	
6 × 4 × 10	426753-011	426753-011	426753-011	
6 × 5 × 10	426753-011	426753-011	426753-011	
4 × 3 × 11.5		426741-011	426741-011	
5 × 4 × 11.5		426741-011	426741-011	

ITEM 40: ADAPTER (continued)

125 LB - all bronze construction

PUMP SIZE	FRAME 56 143 - 184T	FRAMES 213 - 215T	FRAMES 254 - 256T	BAR CODE
1.5 × 1 × 6	426746-041	426746-041		
3 × 1.5 × 6	426746-041	426746-041		
3 × 2 × 6	426746-041	426746-041		
3 × 2.5 × 6	426746-041	426746-041		
4 × 3 × 6	426746-041	426746-041		
6 × 6 × 6	426746-041	426746-041		
1.5 × 1 × 8	426749-041	426749-041		
3 × 1.5 × 8	426749-041	426749-041	426749-041	
3 × 2 × 8	426749-041	426749-041	426749-041	
3 × 2.5 × 8	426749-041	426749-041	426749-041	
4 × 3 × 8	426749-041	426749-041		
5 × 4 × 8	426749-041	426749-041		
6 × 4 × 8w	426749-041	426749-041		
8 × 8 × 8	426749-041			
2 × 1 × 10	426753-041	426753-041		
2 × 1.5 × 10	426753-041	426753-041		
3 × 1.5 × 10	426753-041	426753-041		
3 × 2 × 10	426753-041	426753-041		
3 × 2.5 × 10	426753-041	426753-041		
4 × 3 × 10	426753-041	426753-041	426753-041	
5 × 4 × 10	426753-041	426753-041	426753-041	
6 × 4 × 10	426753-041	426753-041	426753-041	
6 × 5 × 10	426753-041	426753-041	426753-041	
4 × 3 × 11.5		426741-041	426741-041	
5 × 4 × 11.5		426741-041	426741-041	

ITEM 40: ADAPTER (continued)

150 LB - ductile iron construction

PUMP SIZE	FRAME 56 143 - 184T	FRAMES 213 - 215T	FRAMES 254 - 256T	BAR CODE
1.5 × 1 × 6	426746-031	426746-031		
3 × 1.5 × 6	426746-031	426746-031		
3 × 2 × 6	426746-031	426746-031		
3 × 2.5 × 6	426746-031	426746-031		
4 × 3 × 6	426746-031	426746-031		
6 × 6 × 6	426746-031	426746-031		
1.5 × 1 × 8	426749-031	426749-031		
3 × 1.5 × 8	426749-031	426749-031	426749-031	
3 × 2 × 8	426749-031	426749-031	426749-031	
3 × 2.5 × 8	426749-031	426749-031	426749-031	
4 × 3 × 8	426749-031	426749-031		
5 × 4 × 8	426749-031	426749-031		
6 × 4 × 8w	426749-031	426749-031		
8 × 8 × 8	426749-031			
2 × 1 × 10	426753-031	426753-031		
2 × 1.5 × 10	426753-031	426753-031		
3 × 1.5 × 10	426753-031	426753-031		
3 × 2 × 10	426753-031	426753-031		
3 × 2.5 × 10	426753-031	426753-031		
4 × 3 × 10	426753-031	426753-031	426753-031	
5 × 4 × 10	426753-031	426753-031	426753-031	
6 × 4 × 10	426753-031	426753-031	426753-031	
6 × 5 × 10	426753-031	426753-031	426753-031	
4 × 3 × 11.5		426741-031	426741-031	
5 × 4 × 11.5		426741-031	426741-031	

ITEM 101: CASING GASKET

PUMP SIZE	DIMENSIONS O.D × I.D. × THICKNESS	PART NUMBER	BAR CODE
1.5 × 1 × 6 3 × 1.5 × 6 3 × 2 × 6 3 × 2.5 × 6 4 × 3 × 6 6 × 6 × 6	7 ¹ / ₁₆ " × 8 ¹ / ₄ " × ¹ / ₁₆ "	426401-002	
1.5 × 1 × 8 3 × 1.5 × 8 3 × 2 × 8 3 × 2.5 × 8 4 × 3 × 8 5 × 4 × 8 6 × 4 × 8w 8 × 8 × 8	9" × 8 ¹ / ₄ " × ¹ / ₁₆ "	426401-003	
2 × 1 × 10 2 × 1.5 × 10 3 × 1.5 × 10 3 × 2 × 10 3 × 2.5 × 10 4 × 3 × 10 5 × 4 × 10 6 × 4 × 10 6 × 5 × 10	10 ⁵ / ₁₆ " × 10 ³ / ₁₆ " × ¹ / ₁₆ "	426401-004	
4 × 3 × 11.5 5 × 4 × 11.5	12 ⁷ / ₁₆ " × 11 ⁹ / ₁₆ " × ¹ / ₁₆ "	426401-006	

ITEM 44: BEARING HOUSING CAPSCREW, WASHER & NUT

PUMP SIZE	AMOUNT REQUIRED	SIZE	PART NUMBER	BAR CODE
1.5 × 1 × 6 3 × 1.5 × 6 3 × 2 × 6 3 × 2.5 × 6 4 × 3 × 6 6 × 6 × 6	4	CAPSCREW 3/8" - 16NC × 1 1/2" LG.	911121-112	
1.5 × 1 × 8 3 × 1.5 × 8 3 × 2 × 8 3 × 2.5 × 8 4 × 3 × 8	4	CAPSCREW 3/8" - 16NC × 1 1/2" LG.	911121-112	
5 × 4 × 8 6 × 4 × 8w 8 × 8 × 8	4	WASHER 3/8" - FLAT	927114-100	
2 × 1 × 10 2 × 1.5 × 10 3 × 1.5 × 10 3 × 2 × 10 3 × 2.5 × 10	4	WASHER 3/8" - FLAT	927114-100	
4 × 3 × 10 5 × 4 × 10 6 × 4 × 10 6 × 5 × 10	4	NUT 3/8" - NC HEX. STD.	913121-100	
4 × 3 × 11.5 5 × 4 × 11.5	4	NUT 3/8" - NC HEX. STD.	913121-100	

PERMANENT GREASE LUBRICATION - STANDARD SHAFT**BEARING FRAME ASSEMBLY**

ITEM NUMBER	DESCRIPTION	PART NUMBER	BAR CODE
	Bearing frame assembly ①	826768-000	
20	Bearing housing	426764-011	
21	Shaft & sleeve assembly	426760-001	
22	Inboard bearing	971101-364	
23	Outboard bearing	971101-684	
24	Snap ring	923109-008	
29	Bearing cap	426766-011	
32	Bearing capscrews 3/8-16 × 1 LG (4 REQ'D)	911121-108	
36	Impeller key	428160-708	
36	Coupler key	428160-712	
39	Water slinger	406622-000	

NOTE :

① Items 20 to 39 inclusive are included in the bearing frame assembly.

COMMON PARTS

ITEM NUMBER	DESCRIPTION	PART NUMBER BF, AB & AI	BAR CODE
62κ	Mechanical seal assembly	975000-982**	
83	Impeller washer	425742-001	
86	S/S impeller capscrew	911900-114	

** For liquids above 200°F/93°C use 9975001-813 (-613 if potable drinking water above 200°F/93°C)
For glycols above 30% by weight use 9975001-817 (-818 if above 200°F/93°C)

PERMANENT GREASE LUBRICATION - STAINLESS STEEL SHAFT

BEARING FRAME ASSEMBLY

ITEM NUMBER	DESCRIPTION	PART NUMBER	BAR CODE
	Bearing frame assembly ^①	426768-071	
20	Bearing housing	426764-011	
21	Shaft & sleeve assembly	426760-071	
22	Inboard bearing	971101-364	
23	Outboard bearing	971101-684	
24	Snap ring	923109-008	
29	Bearing cap	426766-011	
32	BEARING CAPSCREWS 3/8-16 × 1 LG (4 REQ'D)	911121-108	
36	Impeller key	428160-708	
36	Coupler key	428160-712	
39	Water slinger	406622-000	

NOTE :

① Items 20 to 39 inclusive are included in the bearing frame assembly.

COMMON PARTS

ITEM NUMBER	DESCRIPTION	PART NUMBER BF, AB & AI	BAR CODE
62κ	Mechanical seal assembly	975000-982**	
83	Impeller washer	425742-001	
86	S/S impeller capscrew	911900-119	

** For liquids above 200°F/93°C use 9975001-813 (-613 if potable drinking water above 200°F/93°C)
For glycols above 30% by weight use 9975001-817 (-818 if above 200°F/93°C)

REGREASEABLE BEARINGS - STANDARD SHAFT**BEARING FRAME ASSEMBLY**

ITEM NUMBER	DESCRIPTION	PART NUMBER	BAR CODE
	Bearing frame assembly ^①	426769-000	
20	Bearing housing	426764-012	
21	Shaft & sleeve assembly	426760-001	
22	Inboard bearing	971101-363	
23	Outboard bearing	971101-683	
24	Snap ring	923109-008	
29	Bearing cap	426766-012	
32	Bearing capscrews 3/8-16 × 1 LG (4 REQ'D)	911121-108	
36	Impeller key	428160-708	
36	Coupler key	428160-712	
37	Grease fitting	425030-011	
39	Water slinger	406622-000	

NOTE :

① Items 20 to 39 inclusive are included in the bearing frame assembly.

COMMON PARTS

ITEM NUMBER	DESCRIPTION	PART NUMBER BF, AB & AI	BAR CODE
62K	mechanical seal assembly	975000-982**	
83	impeller washer	425742-001	
86	S/S impeller capscrew	911900-119	

** For liquids above 200°F/93°C use 9975001-813 (-613 if potable drinking water above 200°F/93°C)
For glycols above 30% by weight use 9975001-817 (-818 if above 200°F/93°C)

REGREASEABLE BEARINGS - STAINLESS STEEL SHAFT

BEARING FRAME ASSEMBLY

ITEM NUMBER	DESCRIPTION	PART NUMBER	BAR CODE
	Bearing frame assembly ^①	426769-071	
20	Bearing housing	426764-012	
21	Shaft & sleeve assembly	426760-071	
22	Inboard bearing	971101-363	
23	Outboard bearing	971101-683	
24	Snap ring	923109-008	
29	Bearing cap	426766-012	
32	Bearing capscrews 3/8-16 × 1 LG (4 REQ'D)	911121-108	
36	Impeller key	428160-708	
36	Coupler key	428160-712	
37	Grease fitting (2 REQ'D)	425030-011	
39	Water slinger	406622-000	

NOTE :

① Items 20 to 39 inclusive are included in the bearing frame assembly.

COMMON PARTS

ITEM NUMBER	DESCRIPTION	PART NUMBER BF, AB & AI	BAR CODE
62K	Mechanical seal assembly	975000-982**	
83	Impeller washer	425742-001	
86	S/S impeller capscrew	911900-119	

** For liquids above 200°F/93°C use 9975001-813 (-613 if potable drinking water above 200°F/93°C)
For glycols above 30% by weight use 9975001-817 (-818 if above 200°F/93°C)

OIL LUBRICATION - STANDARD SHAFT**BEARING FRAME ASSEMBLY**

ITEM NUMBER	DESCRIPTION	PART NUMBER	BAR CODE
	Bearing frame assembly ①	426770-000	
20	Bearing housing	426764-013	
21	Shaft & sleeve assembly	426760-001	
22	Inboard bearing	971101-915	
23	Outboard bearing	971101-916	
24	Snap ring	923109-008	
28	Oil seal	965001-065	
29	Bearing cap	426766-013	
31	O-ring	961131-152	
32	Bearing capscrews 3/8-16 × 1 LG (4 REQ'D)	911121-108	
33	Oil view gauge	116904-000	
34	Air vent	407444-000	
35	Pipe plug	937105-200	
36	Impeller key	428160-708	
36	Coupler key	428160-712	
39	Water slinger	406622-000	

NOTE :

① Items 20 to 39 inclusive are included in the bearing frame assembly.

COMMON PARTS

ITEM NUMBER	DESCRIPTION	PART NUMBER BF, AB & AI	BAR CODE
62κ	Mechanical seal assembly	975000-982**	
83	Impeller washer	425742-001	
86	S/S impeller capscrew	911900-119	

** For liquids above 200°F/93°C use 9975001-813 (-613 if potable drinking water above 200°F/93°C)
For glycols above 30% by weight use 9975001-817 (-818 if above 200°F/93°C)

OIL LUBRICATION - STAINLESS STEEL SHAFT

BEARING FRAME ASSEMBLY

ITEM NUMBER	DESCRIPTION	PART NUMBER	BAR CODE
	Bearing frame assembly ①	426770-071	
20	Bearing housing	426764-013	
21	Shaft & sleeve assembly	426760-071	
22	Inboard bearing	971101-915	
23	Outboard bearing	971101-916	
24	Snap ring	923109-008	
28	Oil seal	965001-065	
29	Bearing cap	426766-013	
31	O-ring	961131-152	
32	Bearing capscrews 3/8-16 x 1 LG (4 REQ'D)	911121-108	
33	Oil view gauge	116904-000	
34	Air vent	407444-000	
35	Pipe plug	937105-200	
36	Impeller key	428160-708	
36	Coupler key	428160-712	
39	Water slinger	406622-000	

NOTE :

① Items 20 to 39 inclusive are included in the bearing frame assembly.

COMMON PARTS

ITEM NUMBER	DESCRIPTION	PART NUMBER BF, AB & AI	BAR CODE
62K	Mechanical seal assembly	975000-982**	
83	Impeller washer	425742-001	
86	S/S impeller capscrew	911900-119	

** For liquids above 200°F/93°C use 9975001-813 (-613 if potable drinking water above 200°F/93°C)
For glycols above 30% by weight use 9975001-817 (-818 if above 200°F/93°C)

ITEM 110: BEARING HOUSING SUPPORT FOOT

PUMP SIZE	PART NUMBER	BAR CODE
1.5 × 1 × 6	426999-001	
3 × 1.5 × 6	426999-001	
3 × 2 × 6	426999-002	
3 × 2.5 × 6	426999-002	
4 × 3 × 6	426999-002	
6 × 6 × 6	426999-002	
1.5 × 1 × 8	426999-001	
3 × 1.5 × 8	426999-002	
3 × 2 × 8	426999-003	
3 × 2.5 × 8	426999-003	
4 × 3 × 8	426999-003	
5 × 4 × 8	426999-004	
8 × 8 × 8	426999-006	
6 × 4 × 8w	426999-004	
2 × 1 × 10	426999-003	
2 × 1.5 × 10	426999-003	
3 × 1.5 × 10	426999-004	
3 × 2 × 10	426999-004	
3 × 2.5 × 10	426999-004	
4 × 3 × 10	426999-004	
5 × 4 × 10	426999-005	
6 × 4 × 10	426999-005	
6 × 5 × 10	426999-005	
4 × 3 × 11.5	426999-004	
5 × 4 × 11.5	426999-005	

ITEM 106: CASING SUPPORT FOOT

PUMP SIZE	PART NUMBER	BAR CODE
1.5 × 1 × 6	426551-000	
3 × 1.5 × 6	426552-000	
3 × 2 × 6	426554-000	
3 × 2.5 × 6	426554-000	
4 × 3 × 6	Not required	
6 × 6 × 6	426554-000	
1.5 × 1 × 8	426670-004	
3 × 1.5 × 8	426554-000	
3 × 2 × 8	426554-000	
3 × 2.5 × 8	426554-000	
4 × 3 × 8	426554-000	
5 × 4 × 8	426554-000	
6 × 4 × 8w	426554-000	
8 × 8 × 8	Not required	
2 × 1 × 10	426554-000	
2 × 1.5 × 10	426554-000	
3 × 1.5 × 10	Not required	
3 × 2 × 10	Not required	
3 × 2.5 × 10	Not required	
4 × 3 × 10	Not required	
5 × 4 × 10	Not required	
6 × 4 × 10	Not required	
6 × 5 × 10	Not required	
4 × 3 × 11.5	Not required	
5 × 4 × 11.5	Not required	

ITEM 112: BEARING SUPPORT FOOT CAPSCREW (UPPER)

PUMP SIZE	AMOUNT REQUIRED	SIZE	PART NUMBER	BAR CODE
ALL SIZES	1	½" - 13NC × 1" LG	911125-108	

ITEM 112: BEARING SUPPORT FOOT CAPSCREW WASHER (UPPER)

PUMP SIZE	AMOUNT REQUIRED	SIZE	PART NUMBER	BAR CODE
ALL SIZES	1	½" FLAT	927117-100	

ITEM 124: BEARING SUPPORT FOOT CAPSCREW (LOWER)

PUMP SIZE	AMOUNT REQUIRED	SIZE	PART NUMBER	BAR CODE
ALL SIZES	1	7/16" - 14NC × 1" LG	911123-216	

ITEM 124: BEARING SUPPORT FOOT CAPSCREW WASHER (LOWER)

PUMP SIZE	AMOUNT REQUIRED	SIZE	PART NUMBER	BAR CODE
ALL SIZES	1	7/16" FLAT	927116-100	

ITEM 108: CASING SUPPORT FOOT CAPSCREW (TO CASING)

PUMP SIZE	AMOUNT REQUIRED	SIZE	PART NUMBER	BAR CODE
1.5 × 1 × 6 3 × 1.5 × 6	1	5/16" - 16NC × 1" LG	911119-108	
3 × 2 × 6 3 × 2.5 × 6 4 × 3 × 6 6 × 6 × 6	2	1/2" - 13NC × 1" LG	911125-108	
1.5 × 1 × 8 3 × 1.5 × 8 3 × 2 × 8 3 × 2.5 × 8 4 × 3 × 8 5 × 4 × 8 6 × 4 × 8w 8 × 8 × 8	2	1/2" - 13NC × 1" LG	911125-108	
2 × 1 × 10 2 × 1.5 × 10 3 × 1.5 × 10 3 × 2 × 10	2	1/2" - 13NC × 1" LG	911125-108	
3 × 2.5 × 10 4 × 3 × 10 5 × 4 × 10 6 × 4 × 10 6 × 5 × 10		Not required		
4 × 3 × 11.5 5 × 4 × 11.5		Not required		

ITEM 122: CASING SUPPORT FOOT CAPSCREW & WASHER (1)

PUMP SIZE	AMOUNT REQUIRED	SIZE	PART NUMBER	BAR CODE
1.5 x 1 x 6 3 x 1.5 x 6 3 x 2 x 6 3 x 2.5 x 6 4 x 3 x 6 6 x 6 x 6	2	7/16" - 11NC x 1 1/4" LG	911123-216	
*1.5 x 1 x 8 3 x 1.5 x 8 3 x 2 x 8 3 x 2.5 x 8 4 x 3 x 8 5 x 4 x 8 6 x 4 x 8w 8 x 8 x 8	2	7/16" - 11NC x 1 1/4" LG	911123-216	
2 x 1 x 10 2 x 1.5 x 10 3 x 1.5 x 10	2	7/16" - 11NC x 1 1/4" LG	911123-216	
3 x 2 x 10 3 x 2.5 x 10 4 x 3 x 10 5 x 4 x 10 6 x 4 x 10 6 x 5 x 10	2	WASHER 7/16" FLAT	927116-100	
4 x 3 x 11.5 5 x 4 x 11.5	2	WASHER 7/16" FLAT	927116-100	

NOTE:

*For pumps 1 1/2 x 1 x 8, frames 56T, 143-145T & 182 - 184T, use 2 capscrews (7/16" - 11 NC x 2" LG.) - part number: 911123-116 and 2 washers (7/16" Flat) part number: 927116-100

COUPLER SELECTION TABLE (WOODS TYPE)

PUMP SHAFT SIZE	MOTOR FRAME SIZE	MOTOR SHAFT SIZE	COUPLER PART NUMBER	WOODS SIZE	BAR CODE
7/8"	56	5/8"	827010-000	4J	
7/8"	143T - 145T	7/8"	827011-000	4J	
7/8"	182T - 184T	1 1/8"	827012-000	5J	
7/8"	213T - 215T	1 3/8"	827013-000	6J	
7/8"	254T - 256T	1 5/8"	827014-000	7J	

COUPLER FLANGE PART NUMBERS

COUPLER PART NUMBER	MOTOR FRAME SIZE	FLANGE BORE	FLANGE PART NUMBER	WOODS SIZE	BAR CODE
827010-000	56	5/8"	975000-822	4J	
		7/8"	975000-823	4J	
827011-000	143T - 145T	7/8"	975000-823	4J	
		7/8"	975000-823	4J	
827012-000	182T - 184T	1 1/8"	975000-829	5J	
		7/8"	975000-827	5J	
827013-000	213T - 215T	1 3/8"	975000-836	6J	
		7/8"	975000-832	6J	
827014-000	254T - 256T	1 5/8"	975000-842	7J	
		7/8"	975000-838	7J	

COUPLER INSERT SELECTION TABLE (WOODS TYPE)

COUPLER INSERT SIZE	INSERT NUMBER	PART NUMBER	BAR CODE
4J	4JE	875000-801	
5J	5JE	875000-802	
6J	6JE	875000-803	
7J	7JE	875000-804	

TORONTO

23 BERTRAND AVENUE
TORONTO, ONTARIO
CANADA
M1L 2P3
+1 416 755 2291

BUFFALO

93 EAST AVENUE
NORTH TONAWANDA, NEW YORK
U.S.A.
14120-6594
+1 716 693 8813

BIRMINGHAM

HEYWOOD WHARF, MUCKLOW HILL
HALESOWEN, WEST MIDLANDS
UNITED KINGDOM
B62 8DJ
+44 (0) 8444 145 145

MANCHESTER

WOLVERTON STREET
MANCHESTER
UNITED KINGDOM
M11 2ET
+44 (0) 8444 145 145

BANGALORE

#59, FIRST FLOOR, 3RD MAIN
MARGOSA ROAD, MALLESWARAM
BANGALORE, INDIA
560 003
+91 (0) 80 4906 3555

SHANGHAI

NO. 1619 HU HANG ROAD, XI DU TOWNSHIP
FENG XIAN DISTRICT, SHANGHAI
P.R.C.
201401
+86 21 3756 6696

**MAKING
ENERGY
MAKE
SENSE™**