

PARTS LIST

---

**SERIES 4300**

**TC/TSC/TCZ MOTORS**

EQUAL SUCTION & DISCHARGE

VERTICAL IN-LINE  
SPLIT COUPLER

"L" DESIGNATION - GROUPS 21 TO 24  
1-5/8" IMPELLER BORE -- 2-1/8" MECHANICAL SEAL OR PACKING GLAND

**NEW DESIGN**



**MODEL 4300 - VERTICAL PUMP - SPLIT COUPLING  
TC MOTORS - SINGLE SUCTION  
GROUPS 21 TO 24 SELECTION CHART (L) 1 5/8" IMPELLER HUB**

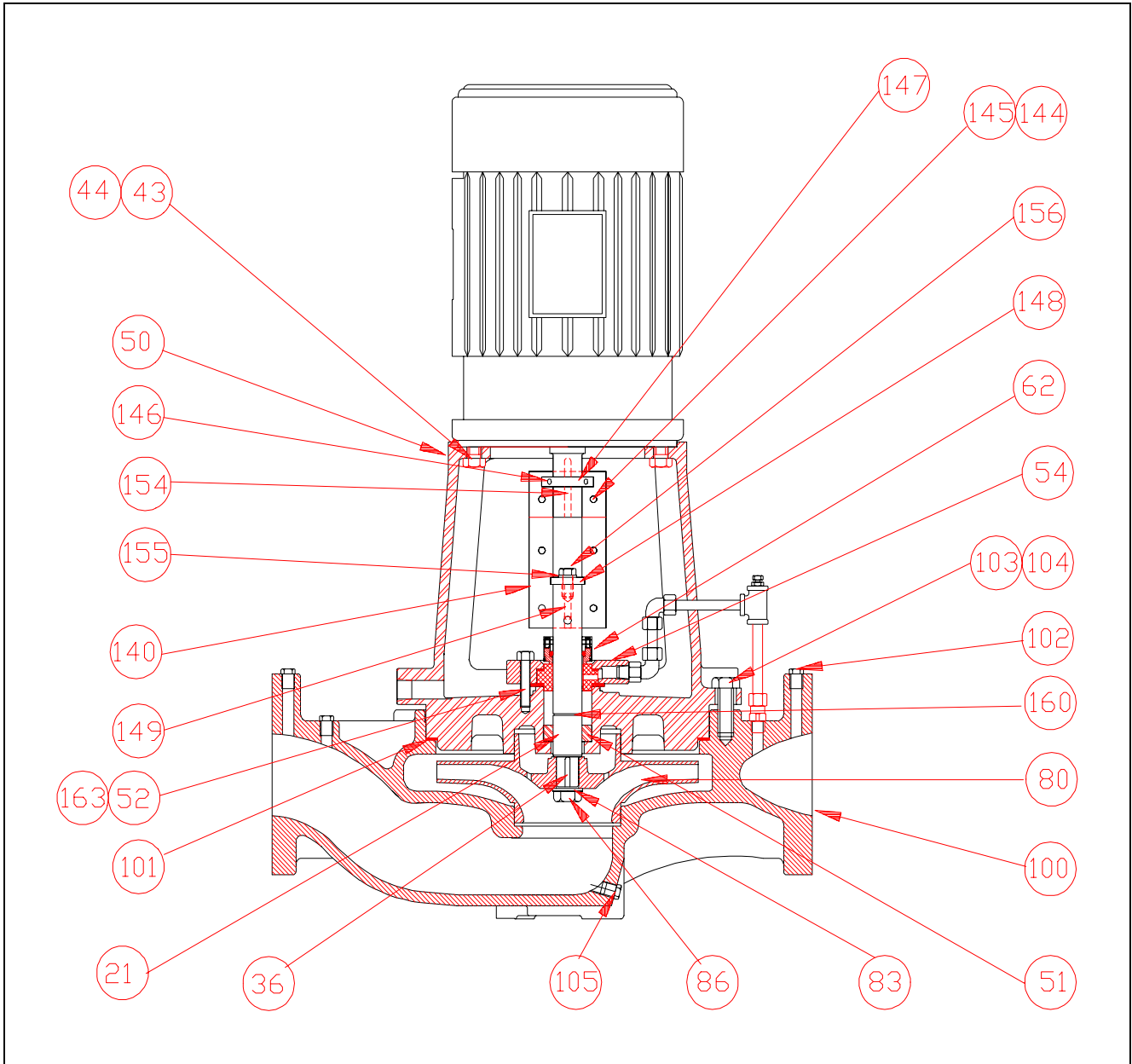
PUMP SIZE	SERIES 4300 MOTOR FRAME										
	MOTOR	143	182	FT215	254	284	324	FF300/FF350	404	444	447
	FRAME	145	184	213 215	256	286	326	364 365	405	445	449
GROUP NO.											
10X10X13	21						TC				
	22							TC			
	23								TC		
	24									TC	TC
8X8X15	21						TC				
	22							TC			
	23								TC		
	24									TC	TC
10X10X15	21						TC				
	22							TC			
	23								TC		
	24									TC	TC

4300 GROUP NO.	21	22	23	24
SEAL SIZE AND PUMP SHAFT DIAMETER	2 1/8	2 1/8	2 1/8	2 1/8
IMPELLER BORE:-	1 5/8	1 5/8	1 5/8	1 5/8
COUPLING BORE:- MOTOR SHAFT DIA.	2 1/8	2 3/8	2 7/8	3 3/8
:- PUMP SHAFT DIA.	2 1/8	2 1/8	2 1/8	1 5/8
SHAFT GAP BETWEEN PUMP AND MOTOR	1.375	1.375	2.625	1.375

# MODEL 4300 TC

## CROSS SECTION VIEW

GROUPS 5,6,7,8,9 & 10 - 1 1/4" IMPELLER BORE - 1 5/8" MECHANICAL SEAL



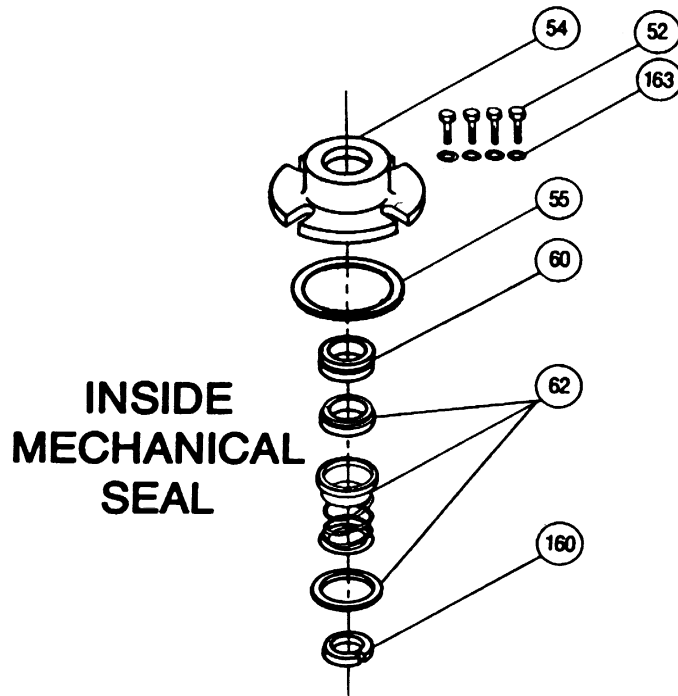
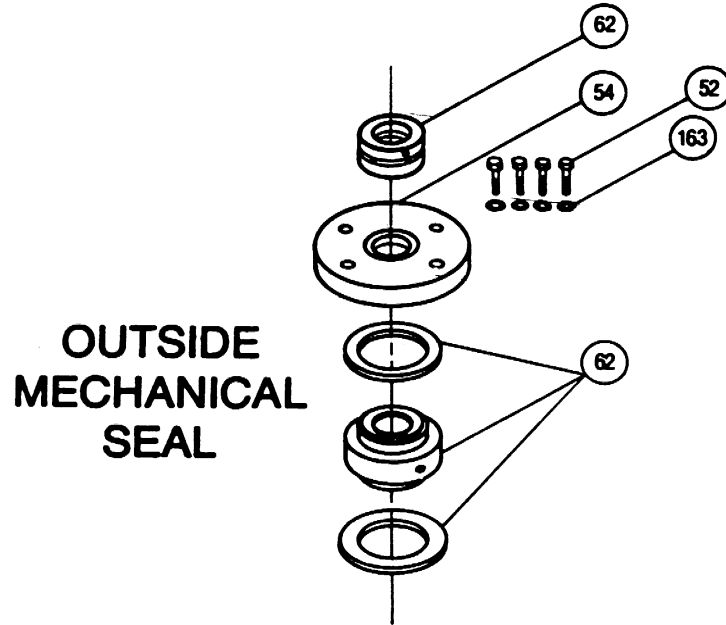
MECHANICAL SEAL ASSEMBLY EXPLODED VIEWS ON PAGE 5A

SEE PAGE FOR PARTS INDEX

# MODEL 4300 TC

## MECHANICAL SEAL EXPLODED VIEWS

GROUPS 21 TO 24 - 1 5/8" IMPELLER BORE - 2 1/8" MECHANICAL SEAL



# PARTS INDEX

ITEM	DESCRIPTION	PAGE	ITEM	DESCRIPTION	PAGE
21	SHAFT	14	80	IMPELLER	6
36	IMPELLER KEY	14	83	IMPELLER WASHER	14
43	LOCKWASHER	11	86	IMPELLER ACORN NUT	14
44	MOTOR CAPSCREW	11	90	CASE WEAR RING	7
50	STUFF. BOX/ADAPTER	8&9	100	CASING	5
51	SEAL CHAMBER BUSH.	14	101	CASING GASKET	7
52	SEAL COV. CAPSCREW	15	103	CASING CAPS. WASHER	11
54	SEAL COVER	15	104	CASING CAPSCREW	11
55	INSIDE SEAL CVR. GSKT.	16	105	CASING DRAIN PLUG	5
58	MALE STRAIGHT CONN.	17	140	COUPLER	13
59	TUBING	17	144	COUPLER CAPSCREW	14
60	INSIDE SEAL SEAT	16	145	LOCKWASHER	14
62	OUTSIDE MECH. SEAL ARMSTRONG STD.	15	146	COUPLER COLLAR SET SCREW	14
			147	MOTOR SHAFT CPLR. COLLAR	12
62	OUTSIDE MECH. SEAL JOHN CRANE STD.	15	148	PUMP SHAFT CPLR. COLLAR	14
			149	COUPLER SQUARE KEY (PUMP)	14
62	OUTSIDE MECH. SEAL JOHN CRANE T.C.	15	150	COUPLING GUARD (NOT SHOWN)	10
			151	CPLR. GUARD BOLT (NOT SHOWN)	10
62	OUTSIDE MECH. SEAL DURA STD.	15	152	NUT (NOT SHOWN)	10
			153	WASHER (NOT SHOWN)	10
62	OUTSIDE MECH. SEAL DURA T.C.	15	154	COUP. SQUARE KEY (MOTOR)	12
			155	CAPSCREW LOCKWASHER	14
62	INSIDE MECH. SEAL HD. B.F. & A.I. CONST.	16	156	SHAFT CAPSCREW	14
			160	INSIDE SEAL RETAINING RING	16
63	1/4"NPT TEE	17	163	SEAL COVER CAPS. WASHER	15
68	AIR VENT	17	194	MALE 90 DEG. ANGLE CONN.	17

# VERTICAL IN-LINE - SPLIT COUPLER MODEL 4300

## PUMP PARTS FOR TC MOTORS

EQUAL SUCTION AND DISCHARGE

GROUPS 21 TO 24 - 1 5/8" IMPELLER BORE - 2 1/8" MECHANICAL SEAL

### ITEM 100 CASING\*\*

PUMP SIZE	MATERIAL	PART NUMBER	BAR CODE
10X10X13	125# C.I.	427330-011	
10X10X13	250# D.I.	427331-031	
8X8X15	125# C.I.	427087-011	
8X8X15	250# D.I.	427088-031	
10X10X15	125# C.I.	427083-011	
10x10x15	250# D.I.	427084-031	

**NOTES:**

C.I.\* DENOTES CAST IRON

D.I.\* DENOTES DUCTILE IRON

\*\* CASING PART NUMBERS ARE FOR CASING ONLY, CASING WEAR RING IS SOLD SEPARATELY.

IF NEW CASING IS REQUIRED, IT MUST BE ORDERED C/W WEAR RING.

### ITEM 105 CASING DRAIN PLUG

PUMP SIZE	MATERIAL	NO. REQ'D	SIZE	PART NUMBER	BAR CODE
10X10X13	CAD.  PLATED	1	1/2" NPT	937105-203	
8X8X15					
10X10X15					

**VERTICAL IN-LINE - SPLIT COUPLER  
MODEL 4300  
PUMP PARTS FOR TC MOTORS  
EQUAL SUCTION AND DISCHARGE**

**GROUPS 21 TO 24 - 1 5/8" IMPELLER BORE - 2 1/8" MECHANICAL SEAL**

<b>ITEM 80 IMPELLER** 1 1/4" BORE</b>					
PUMP SIZE	MATERIAL	IMP. BORE	MAX. DIA.	PART NUMBER	BAR CODE
10X10X13	BRONZE	1 5/8	13"	427333-041	
10X10X13	CAST IRON	1 5/8	13"	427333-011	
8X8X15	BRONZE	1 5/8	15"	427214-041	
8X8X15	CAST IRON	1 5/8	15"	427214-011	
10X10X15	BRONZE	1 5/8	15"	427218-041	
10X10X15	CAST IRON	1 5/8	15"	427218-011	

**NOTES:**

\*\* Impeller Part Numbers are for full or maximum diameter Impellers. Always specify Pump Serial Number and where possible, measure and advise the diameter of the Impeller being replaced on these Pumps.



**VERTICAL IN-LINE - SPLIT COUPLER  
MODEL 4300  
PUMP PARTS**

**EQUAL SUCTION AND DISCHARGE**

**GROUPS 21 TO 24 - 1 5/8" IMPELLER BORE - 2 1/8" MECHANICAL SEAL**

<b>ITEM 90 CASE WEAR RING</b>				
PUMP SIZE	CONST.	MATERIAL	PART NUMBER	BAR CODE
10X10X13				
10X10X13	AB-BF	SAE 660 BRONZE	426413-417	
10X10X15	AI-DI	CLASS 30 C.I.	426413-117	
10x10x15				
8X8X15	AB-BF	SAE 660 BRONZE	426413-415	
8X8X15	AI-DI	CLASS 30 C.I.	426413-115	

<b>ITEM 101 CASING GASKET</b>			
PUMP SIZE	CONSTRUCTION	PART NUMBER	BAR CODE
10X10X13	ALL	426401-005	
8X8X15			
10X10X15	ALL	426401-008	

**VERTICAL IN-LINE - SPLIT COUPLER  
MODEL 4300  
PUMP PARTS FOR TC MOTORS**

**EQUAL SUCTION AND DISCHARGE**

**GROUPS 21 TO 24 - 1 5/8" IMPELLER BORE - 2 1/8" MECHANICAL SEAL**

<b>ITEM 50 ADAPTER B.F. &amp; A.I. CONSTRUCTION</b>				
<b>PUMP SIZE</b>	<b>MOTOR FRAME SIZE</b>	<b>MATERIAL</b>	<b>PART NUMBER</b>	<b>BAR CODE</b>
10X10X13	363 - 366TSC	CAST IRON		
10X10X13	364 - 365TC		427843-011	
10X10X13	404 - 405TC		427845-011	
10X10X13	403 - 406TSC			
10X10X13	444/445/447/449TC		427846-011	
8X8X15 10X10X15	324 - 326TC	CAST IRON	427842-011	
	364 - 365TC		427842-011	
	404 - 405TC		427847-011	
	444/445/447/449TC		427846-011	

<b>ITEM 50 PUMPS STUFFING BOX B.F. &amp; A.I. CONSTRUCTION</b>				
<b>PUMP SIZE</b>	<b>MOTOR FRAME SIZE</b>	<b>MATERIAL</b>	<b>PART NUMBER</b>	<b>BAR CODE</b>
10X10X13	ALL	CAST IRON	427885-011	
8X8X15 10X10X15	ALL	CAST IRON	427886-011	

<b>ITEM 150 13 &amp; 15" MOTOR ADAPTER RING ALL CONSTRUCTIONS</b>				
<b>PUMP SIZE</b>	<b>MOTOR FRAME SIZE</b>	<b>MATERIAL</b>	<b>PART NUMBER</b>	<b>BAR CODE</b>
ALL	364 - 365TC	STEEL	427730-000	

**VERTICAL IN-LINE - SPLIT COUPLER  
MODEL 4300  
PUMP PARTS FOR TC MOTORS  
EQUAL SUCTION AND DISCHARGE**

**GROUPS 21 TO 24 - 1 5/8" IMPELLER BORE - 2 1/8" MECHANICAL SEAL**

<b>ITEM 50 ADAPTER D.I. CONSTRUCTION</b>				
<b>PUMP SIZE</b>	<b>MOTOR FRAME SIZE</b>	<b>MATERIAL</b>	<b>PART NUMBER</b>	<b>BAR CODE</b>
10X10X13	363 - 366TSC	CAST IRON	?	
10X10X13	364 - 365TC		427843-011	
10X10X13	404 - 405TC		427845-011	
10X10X13	403 - 406TSC		?	
10X10X13	444/445/447/449TC		427846-011	
8X8X15  10X10X15	324 - 326TC	CAST IRON	427842-011	
	364 - 365TC		427842-011	
	404 - 405TC		427847-011	
	444/445/447/449TC		427846-011	

<b>ITEM 50 PUMPS STUFFING BOX D.I. CONSTRUCTION</b>				
<b>PUMP SIZE</b>	<b>MOTOR FRAME SIZE</b>	<b>MATERIAL</b>	<b>PART NUMBER</b>	<b>BAR CODE</b>
10X10X13	ALL	DUCTILE IRON	427885-031	
8X8X15 10X10X15	ALL	DUCTILE IRON	427886-031	

<b>ITEM 150 13 &amp; 15" MOTOR ADAPTER RING ALL CONSTRUCTIONS</b>				
<b>PUMP SIZE</b>	<b>MOTOR FRAME SIZE</b>	<b>MATERIAL</b>	<b>PART NUMBER</b>	<b>BAR CODE</b>
ALL	364 - 365TC	STEEL	427730-000	

**VERTICAL IN-LINE - SPLIT COUPLER  
MODEL 4300  
PUMP PARTS FOR TC MOTORS  
EQUAL SUCTION AND DISCHARGE**

GROUPS 21 TO 24 - 1 5/8" IMPELLER BORE - 2 1/8" MECHANICAL SEAL

<b>ITEM 150 COUPLER GUARD</b>			
PUMP SIZE	MOTOR FRAME SIZE	PART NUMBER	BAR CODE
10X10X13 8X8X15 10x10x15	324 - 326TC 364 - 365TC	427858-000	
10X10X13 8X8X15 10x10x15	404 - 405TC 444/445/447/449TC	427860-000	

<b>COUPLER GUARD FASTENERS</b>					
ITEM NO.	DESCRIPTION	NO. REQ'D	SIZE	PART NUMBER	BAR CODE
151	BOLT - RD. HD.	2	#8-32 X 1 1/2"	916262-132	
152	NUT	2	#8-32	913162-100	
153	WASHER	2	#8-32	927105-100	

**VERTICAL IN-LINE - SPLIT COUPLER  
MODEL 4300  
PUMP PARTS FOR TC MOTORS  
EQUAL SUCTION AND DISCHARGE**

GROUPS 21 TO 24 - 1 5/8" IMPELLER BORE - 2 1/8" MECHANICAL SEAL

<b>ITEM 44 MOTOR CAPSCREW &amp; ITEM 43 LOCKWASHER</b>				
PUMP SIZE	MOTOR  FRAME SIZE	ITEM  DESCRIPTION	PART  NUMBER	BAR CODE
10X10X13	324-326TC			
8X8X15	404 - 405TC	CAPSCREW	911129-112	
10X10X15	444/445/447/449TC	LOCKWASHER	927215-100	

<b>ITEM 104 CASING CAPSCREW &amp; ITEM 103 WASHER</b>					
PUMP SIZE	NO. REQ'D	DESCRIPTION	SIZE	PART NUMBER	BAR CODE
10X10X13	16	CAPSCREW	5/8-11NCX1 3/4"	911129-234	
	16	WASHER	5/8" FLAT	927121-100	
8X8X15	16	CAPSCREW	5/8-11NCX2"	911129-218	
	16	LOCKWASHER	5/8"	927213-100	
10X10X15	16	WASHER	5/8" FLAT	927121-100	

**VERTICAL IN-LINE - SPLIT COUPLER  
MODEL 4300  
PUMP PARTS FOR TC MOTORS  
EQUAL SUCTION AND DISCHARGE**

**GROUPS 21 TO 24 - 1 5/8" IMPELLER BORE - 2 1/8" MECHANICAL SEAL**

<b>ITEM 154 MOTOR KEY</b>			
<b>PUMP SIZE</b>	<b>MOTOR FRAME SIZE</b>	<b>PART NUMBER</b>	<b>BAR CODE</b>
8X8X15 10X10X15	324 - 326TC	428164-116	
10X10X13 8X8X15 10X10X15	364 - 365TC	428165-117	
10X10X13 8X8X15 10X10X15	404 - 405TC	428167-103	
10X10X13 8X8X15 10X10X15	444/445/447/449TC	428167-305	

<b>ITEM 147 MOTOR COUPLER COLLAR</b>			
<b>PUMP SIZE</b>	<b>MOTOR FRAME SIZE</b>	<b>PART NUMBER</b>	<b>BAR CODE</b>
8X8X15 10X10X15	324 - 326TC	427753-000	
10X10X13 8X8X15 10X10X15	364 - 365TC	427754-000	
10X10X13 8X8X15 10X10X15	404 - 405TC	427889-000	
10X10X13 8X8X15 10X10X15	444/445/447/449TC	427883-000	

# VERTICAL IN-LINE - SPLIT COUPLER

## MODEL 4300

### PUMP PARTS FOR TC MOTORS

EQUAL SUCTION AND DISCHARGE

GROUPS 21 TO 24 - 1 5/8" IMPELLER BORE - 2 1/8" MECHANICAL SEAL

<b>ITEM 140 COUPLER</b>			
<b>PUMP SIZE</b>	<b>MOTOR FRAME SIZE</b>	<b>PART NUMBER</b>	<b>BAR CODE</b>
8X8X15 10X10X15	324 - 326TC	427867-000	
10X10X13 8X8X15 10X10X15	364 - 365TC	427868-000	
10X10X13 8X8X15 10X10X15	404 - 405TC	427869-000	
10X10X13 8X8X15 10X10X15	44/445/447/449T	427870-000	

**VERTICAL IN-LINE - SPLIT COUPLER  
MODEL 4300  
PUMP PARTS FOR TC MOTORS  
EQUAL SUCTION AND DISCHARGE**

GROUPS 21 TO 24 - 1 5/8" IMPELLER BORE - 2 1/8" MECHANICAL SEAL

**COMMON PARTS, ALL CONSTRUCTIONS**

ITEM NUMBER	DESCRIPTION	PART NUMBER	BAR CODE
21	2 1/8" PUMP SHAFT	427849-000	
36	IMPELLER KEY	428163-714	
51	SEAL CHAMBER BUSHING	425520-003	
83	IMPELLER WASHER	425742-006	
86	IMPELLER ACORN NUT (BRASS)	425745-001	
86	IMPELLER ACORN NUT (SST)	425745-002	
102	GAUGE PLUG ( 4 REQ'D ) 1/4"NPT. CAD PLATED	937105-201	
144	COUPLER CAPSCREW (6 REQ'D) FRAMES 182 TO 365TC AND 324 - 446TSC	911821-118	
145	LOCKWASHER (FOR ITEM 144)	927211-100	
148	SHAFT COUPLER COLLAR	427882-000	
N/S	COUPLER COLLAR SET SCREW	916519-106	
149	CPLR. KEY (PUMP SHAFT)	428164-724	
155	CAPSCREW LOCKWASHER	927215-400	
156	COUPLER COLLAR CAPSCREW	911129-108	



# VERTICAL IN-LINE - SPLIT COUPLER

## MODEL 4300

### PUMP PARTS FOR TC MOTORS

EQUAL SUCTION AND DISCHARGE

GROUPS 21 TO 24 - 1 5/8" IMPELLER BORE - 2 1/8" MECHANICAL SEAL

## PARTS FOR 2 1/8" OUTSIDE SEAL

ITEM NO.	DESCRIPTION	CONSTRUCTION	PART NUMBER	BAR CODE
62	MECHANICAL SEAL			
	ARMSTRONG SEAL	ALL	975002-374	
	DURAMETALLIC STD.	ALL	975002-073	
	DURAMETALLIC T.C.	ALL	975002-071	
	JOHN CRANE STD.	ALL	975000-957	
	JOHN CRANE T.C.	ALL	975000-967	
52	CAPSCREW - 4REQ'D			
	1/2"-13NCX2" S/S	ALL	911125-416	
163	WASHER - 4 REQ'D			
	1/2" FLAT 316 S/S	ALL	427118-100	
54	SEAL COVER	BF - DBF	426486-002	
		AI - DI	426486-001	

#### NOTES:

BF - DBF ---- DENOTES BRONZE FITTED - DUCTILE BRONZE FITTED

AI - DI ----- DENOTES ALL IRON - DUCTILE IRON

**VERTICAL IN-LINE - SPLIT COUPLER  
MODEL 4300  
PUMP PARTS FOR TC MOTORS  
EQUAL SUCTION AND DISCHARGE**

GROUPS 21 TO 24 - 1 5/8" IMPELLER BORE - 2 1/8" MECHANICAL SEAL

<b>PARTS FOR 2 1/8" INSIDE MECH. SEAL ARRANGEMENT</b>				
<b>ITEM NO.</b>	<b>DESCRIPTION</b>	<b>CONSTRUCTION</b>	<b>PART NUMBER</b>	<b>BAR CODE</b>
62	MECHANICAL SEAL	ALL	975001-577	
60	SEAL SEAT	ALL	975000-931	
52	CAPSCREW - 4 REQ'D 1/2"-13NCX2" S/S	ALL	911125-416	
163	WASHER - 4 REQ'D 1/2" FLAT	ALL	427117-100	
54	SEAL COVER	BF - DBF	426466-011	
55	SEAL COVER GASKET	ALL	426467-002	
160	RETAINING RING	ALL	927117-100	

<b>PARTS FOR 2 1/8" PACKED GLAND ARRANGEMENT</b>				
<b>ITEM NO.</b>	<b>DESCRIPTION</b>	<b>CONSTRUCTION</b>	<b>PART NUMBER</b>	<b>BAR CODE</b>
52	STUDBOLT - 2 REQ'D 1/2"-13NCX3" S/S	ALL	915225-424	
53	NUT - 2 REQ'D 1/2"-13NC S/S	ALL	913125-400	
163	WASHER - 2 REQ'D 1/2" FLAT	ALL	426451-001	
54	SPLIT GLAND	ALL	426463-011	
65	PACKING - 5 REQ'D 2 1/8"X3/8" JC #1340	ALL	966302-001	
66	LANTERN RING	ALL	426451-005	

**NOTES:**

BF - DBF ---- DENOTES BRONZE FITTED - DUCTILE BRONZE FITTED  
AI - DI ----- DENOTES ALL IRON - DUCTILE IRON

# VERTICAL IN-LINE - SPLIT COUPLER MODEL 4300 PUMP PARTS

EQUAL SUCTION AND DISCHARGE  
GROUPS 6 & 7 - 1 5/8" IMPELLER BORE

2 1/8" MECHANICAL SEAL OR PACKING GLAND

COMMON PARTS FOR OUTSIDE AND INSIDE SEAL ARRANGEMENTS				
ITEM NO.	DESCRIPTION	CONSTRUCTION	PART NUMBER	BAR CODE
57	MALE CONNECTOR	BF - DBF	939001-114	
	3/8" TUBE X 1/4"NPT	AI - DI	939001-214	
59	TUBING 24" REQUIRED	BF - DBF	997531-004	
	3/8"OD X .035 WALL	AI - DI	997153-004	
63	TEE	BF - DBF	935101-001	
	1/4" NPT	AI - DI	931101-101	
64	BUSHING	BF - DBF	935123-050	
	1/4" X 1/8" NPT	AI - DI	931123-150	
67	NIPPLE	BF - DBF	938103-001	
	1/4" X 2 1/2"	AI - DI	938003-101	
68	AIR RELEASE VALVE	BF - DBF	939018-101	
		AI - DI	218644-000	

**NOTES:**

**BF - DBF ---- DENOTES BRONZE FITTED - DUCTILE BRONZE FITTED**

**AI - DI ----- DENOTES ALL IRON - DUCTILE IRON**