

Parts list

Impeller identification

For current style center line horizontal pumps
& equal suction and discharge vertical pumps

File No: 6090.110

Date: JAN 05, 2012

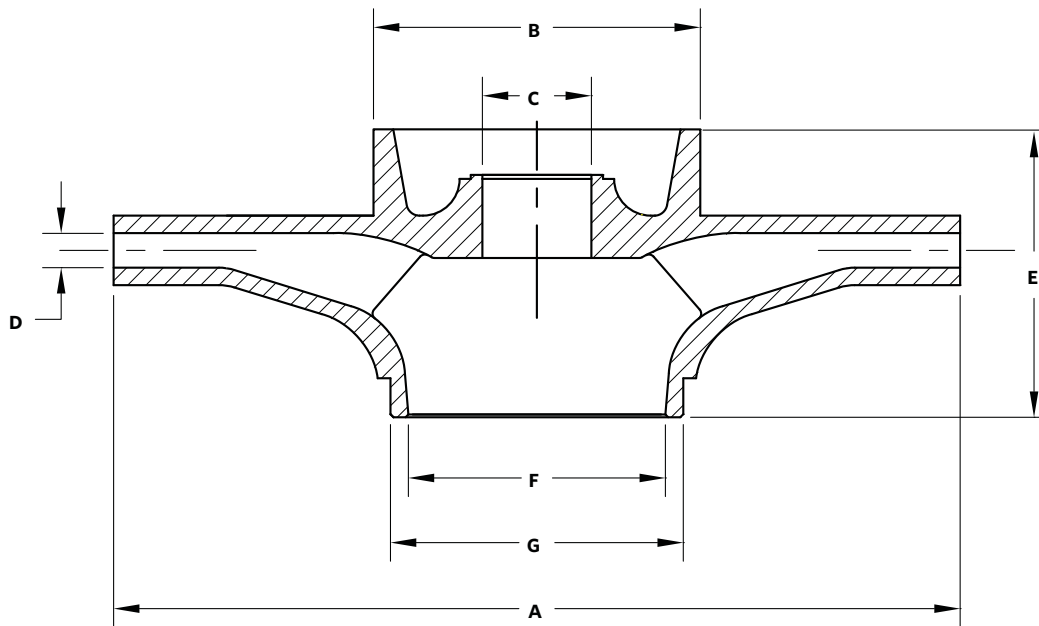
Supersedes: 6090.110

Date: AUG. 01, 2000

Commercial and industrial pump

Impeller identification

For current style center line horizontal pumps
and equal suction and discharge vertical pumps



A MAX. DIA.	B BAL. RING O.D.	C BORE	D BLADE WIDTH	E LENGTH	F EYE I.D.	G EYE O.D.	NO. BLADES	IMPELLER PART NUMBER	HORIZONTAL PUMP SIZE	VERTICAL PUMP SIZE
6 ³ / ₁₆ "	3.450	7 ⁸ / ₈ "	5 ¹⁶ / ₁₆	2.812	2 ⁷ / ₁₆	3.017	4	427101-011 & 041	1.5 × 1 × 6	
6 ³ / ₁₆ "	3.451	7 ⁸ / ₈ "	7 ³² / ₃₂	2.687	2 ¹ / ₄	3.018	5	427099-011 & 041		1.5 1.5 × 6
8 ³ / ₁₆ "	4.115	7 ⁸ / ₈ "	7 ¹⁶ / ₁₆	2.277	2 ⁹ / ₁₆	3.726	4	426228-011 & 041	1.5 × 1 × 8	
8 ³ / ₁₆ "	4.121	7 ⁸ / ₈ "	3 ¹⁶ / ₁₆	3.125	2 ⁵ / ₁₆	3.726	5	427119-011 & 041		1.5 × 1 × 8
6 ³ / ₁₆ "	3.450	7 ⁸ / ₈ "	1 ⁵ / ₃₂	2.875	3 ¹ / ₃₂	3.964	5	427111-011 & 041	3 × 2 × 6	
6 ³ / ₁₆ "	3.453	7 ⁸ / ₈ "	1 ⁵ / ₃₂	2.875	3 ¹ / ₃₂	3.969	6	427109-011 & 041	3 × 1.5 × 6	2 × 2 × 6
6 ³ / ₁₆ "	3.445	7 ⁸ / ₈ "	1 ⁵ / ₁₆	3.438	3 ³ / ₄	4.119	7	427117-011 & 041	4 × 3 × 6w	
8 ³ / ₁₆ "	4.121	7 ⁸ / ₈ "	9 ¹⁶ / ₁₆	3.219	3 ¹ / ₁₆	4.121	6	427125-011 & 041	3 × 2 × 8	
8 ³ / ₁₆ "	4.121	7 ⁸ / ₈ "	9 ¹⁶ / ₁₆	3.250	3 ³ / ₈	4.121	5	427127-011 & 041	3 × 2.5 × 8	
10 ⁵ / ₃₂ "	4.121	7 ⁸ / ₈ "	1 ⁷ / ₃₂	3.312	3 ¹³ / ₃₂	4.121	7	427163-011 & 041	3 × 3 × 10	
6 ³ / ₁₆ "	3.451	7 ⁸ / ₈ "	1 ¹ / ₁₆	3.875	3 ³ / ₄	4.121	7	427115-011 & 041		4 × 4 × 6
8 ³ / ₁₆ "	4.121	7 ⁸ / ₈ "	1 ⁵ / ₃₂	3.125	3 ¹¹ / ₁₆	4.121	5	427121-011 & 041	3 × 1.5 × 8	2 × 2 × 8

Commercial and industrial pump

Impeller identification

For current style center line horizontal pumps
and equal suction and discharge vertical pumps

A MAX. DIA.	B BAL. RING O.D.	C BORE	D BLADE WIDTH	E LENGTH	F EYE I.D.	G EYE O.D.	NO. BLADES	IMPELLER PART NUMBER	HORIZONTAL PUMP SIZE	VERTICAL PUMP SIZE
10 ³ / ₁₆ "	4.121	⁷ / ₈ "	¹⁵ / ₃₂	3.312	3 ¹ / ₂	4.121	5	427147-011 & 041		3 × 3 × 10
10 ⁵ / ₃₂ "	4.120	⁷ / ₈ "	⁵ / ₁₆	3.250	3 ¹ / ₂	4.120	5	427151-011 & 041	2 × 1 × 10	2 × 2 × 10
6 ³ / ₁₆ "	3.451	⁷ / ₈ "	¹⁹ / ₃₂	3.031	3 ⁵ / ₁₆	4.357	6	427113-011 & 041	Obsolete, use 427103-011/041	
6 ³ / ₁₆ "	3.451	⁷ / ₈ "	¹⁹ / ₃₂	3.031	3 ¹⁷ / ₃₂	4.357	5	427103-011 & 041	3 × 2.5 × 6	3 × 3 × 6
10 ³ / ₁₆ "	4.120	⁷ / ₈ "	¹⁵ / ₃₂	3.375	3 ³ / ₄	4.747	5	427123-011 & 041	3 × 2.5 × 10	
8 ³ / ₁₆ "	4.120	⁷ / ₈ "	⁵ / ₈	3.25	3 ¹⁵ / ₁₆	4.750	6	427129-011 & 041	4 × 3 × 8	3 × 3 × 8
11 ¹ / ₂ "	4.120	⁷ / ₈ "	⁹ / ₁₆	3.406	3 ¹⁵ / ₁₆	4.985	6	426281-011 & 041	4 × 3 × 11.5	4 × 4 × 11.5
10 ³ / ₁₆ "	4.120	⁷ / ₈ "	⁹ / ₁₆	3.375	4 ¹ / ₄	4.985	6	427149-011 & 041	4 × 3 × 10	4 × 4 × 10
8 ³ / ₁₆ "	4.120	⁷ / ₈ "	³ / ₄	3.500	4 ³ / ₆₄	5.221	5	427131/011 & 041		5 × 5 × 8
8 ³ / ₁₆ "	4.120	⁷ / ₈ "	1 ¹ / ₁₆	4.125	5	5.375	7	427137-011 & 041	6 × 4 × 8w 5 × 4 × 8w	4 × 4 × 8
11 ¹ / ₂ "	4.120	⁷ / ₈ "	⁴⁷ / ₆₄	3.531	4 ²⁵ / ₃₂	5.733	6	426283-011 & 041	5 × 4 × 11.5	5 × 5 × 11.5
10 ³ / ₁₆ "	4.120	⁷ / ₈ "	¹⁵ / ₁₆	3.531	4 ⁷ / ₈	5.733	7	427153-011 & 041	6 × 4 × 10	6 × 6 × 10
8 ³ / ₁₆ "	4.120	⁷ / ₈ "	1 ³ / ₄	4.688	5 ⁵ / ₈	5.998	8	427139-011 & 041		6 × 6 × 8
11 ¹ / ₂ "	4.120	⁷ / ₈ "	²⁹ / ₃₂	3.938	5 ²³ / ₃₂	6.733	7	426290-011 & 041		6 × 6 × 11.5
10 ³ / ₁₆ "	4.120	⁷ / ₈ "	¹⁷ / ₃₂	4 ¹⁵ / ₆₄	6 ¹ / ₈	7.226	5	427159-011 & 041	6 × 5 × 10	
10 ³ / ₁₆ "	4.120	⁷ / ₈ "	1 ³ / ₄	4.438	6 ⁷ / ₁₆	7.227	8	427156-011 & 041		8 × 8 × 10
11 ¹ / ₂ "	4.120	⁷ / ₈ "	¹⁷ / ₁₆	3.594	7 ¹³ / ₆₄	7.985	7	426294-011 & 041		8 × 8 × 11.5
8 ³ / ₁₆ "	4.115	1 ¹ / ₄ "	⁷ / ₁₆	2.277	2 ⁹ / ₁₆	3.726	4	426229-011 & 041	1.5 × 1 × 8	
8 ³ / ₁₆ "	4.121	1 ¹ / ₄ "	³ / ₁₆	3.125	2 ⁵ / ₁₆	3.726	5	427120-011 & 041		1.5 × 1.5 × 8
6 ³ / ₁₆ "	3.450	1 ¹ / ₄ "	¹⁵ / ₃₂	2.875	3 ¹ / ₃₂	3.964	5	427112-011 & 041	3 × 2 × 6	40P only
6 ³ / ₁₆ "	3.453	1 ¹ / ₄ "	¹⁵ / ₃₂	2.875	3 ¹ / ₃₂	3.969	6	427110-011 & 041	3 × 2 × 6	
6 ³ / ₁₆ "	3.445	1 ¹ / ₄ "	¹⁵ / ₁₆	3.438	3 ³ / ₄	4.119	7	427118-011 & 041	4 × 3 × 6w	
8 ³ / ₁₆ "	4.121	1 ¹ / ₄ "	⁹ / ₁₆	3.219	3 ¹ / ₁₆	4.121	6	427126-011 & 041	3 × 2 × 8	
8 ³ / ₁₆ "	4.121	1 ¹ / ₄ "	⁹ / ₁₆	3.250	3 ³ / ₈	4.121	5	427128-011 & 041	3 × 2.5 × 8	
10 ⁵ / ₃₂ "	4.121	1 ¹ / ₄ "	¹⁷ / ₃₂	3.312	3 ¹³ / ₃₂	4.121	7	427164-011 & 041	3 × 3 × 10	
8 ³ / ₁₆ "	4.121	1 ¹ / ₄ "	⁹ / ₁₆	3.219	3 ¹ / ₁₆	4.121	6	427126-011 & 041	3 × 2 × 8	

Commercial and industrial pump

Impeller identification

For current style center line horizontal pumps
and equal suction and discharge vertical pumps

A MAX. DIA.	B BAL. RING O.D.	C BORE	D BLADE WIDTH	E LENGTH	F EYE I.D.	G EYE O.D.	NO. BLADES	IMPELLER PART NUMBER	HORIZONTAL PUMP SIZE	VERTICAL PUMP SIZE
8 ³ / ₁₆ "	4.121	1 ¹ / ₄ "	⁹ / ₁₆	3.250	3 ³ / ₈	4.121	5	427128-011 & 041	3 × 2.5 × 8	
13 ³ / ₁₆ "	4.750	1 ¹ / ₄ "	³ / ₈	3.810	3 ⁵ / ₁₆	4.121	5	427161-011 & 041	3 × 1.5 × 13	
10 ⁵ / ₃₂ "	4.121	1 ¹ / ₄ "	¹⁷ / ₃₂	3.312	3 ¹³ / ₃₂	4.121	7	427164-011 & 041	3 × 2 × 10	
6 ³ / ₁₆ "	3.451	1 ¹ / ₄ "	1 ¹ / ₁₆	3.875	3 ³ / ₄	4.121	7	427116-011 & 041		4 × 4 × 6
8 ³ / ₁₆ "	4.121	1 ¹ / ₄ "	¹⁵ / ₃₂	3.125	3 ¹¹ / ₁₆	4.121	5	427122-011 & 041	3 × 1.5 × 8	2 × 2 × 8
10 ³ / ₁₆ "	4.121	1 ¹ / ₄ "	¹⁵ / ₃₂	3.312	3 ¹ / ₂	4.121	5	427148-011 & 041		3 × 3 × 10
10 ⁵ / ₃₂ "	4.120	1 ¹ / ₄ "	⁵ / ₁₆	3.250	3 ¹ / ₂	4.120	5	427152-011 & 041	3 × 1.5 × 10 2 × 1 × 10	2 × 2 × 10
6 ³ / ₁₆ "	3.451	1 ¹ / ₄ "	¹⁹ / ₃₂	3.031	3 ¹⁷ / ₃₂	4.357	5	427104-011 & 041	3 × 2.5 × 6	40P only
10 ³ / ₁₆ "	4.120	1 ¹ / ₄ "	¹⁵ / ₃₂	3.375	3 ³ / ₄	4.747	5	427124-011 & 041	3 × 2.5 × 10	
8 ³ / ₁₆ "	4.120	1 ¹ / ₄ "	⁵ / ₈	3.250	3 ¹⁵ / ₁₆	4.750	6	427130-011 & 041	4 × 3 × 8	3 × 3 × 8
11 ¹ / ₂ "	4.120	1 ¹ / ₄ "	⁹ / ₁₆	3.655	3 ¹⁵ / ₁₆	4.985	6	426282-011 & 041	4 × 3 × 11.5	4 × 4 × 11.5
10 ³ / ₁₆ "	4.120	1 ¹ / ₄ "	⁹ / ₁₆	3.375	4 ¹ / ₄	4.985	6	427150-011 & 041	4 × 3 × 10	4 × 4 × 10
8 ³ / ₁₆ "	4.120	1 ¹ / ₄ "	³ / ₄	3.500	4 ⁴³ / ₆₄	5.221	5	427131-011 & 041		5 × 5 × 8
8 ³ / ₁₆ "	4.120	1 ¹ / ₄ "	1 ¹ / ₁₆	4.125	5	5.375	7	427138-011 & 041	6 × 4 × 8W 5 × 4 × 8W	4 × 4 × 8
13 ³ / ₁₆ "	4.750	1 ¹ / ₄ "	⁷ / ₁₆	3.620	4	5.221	5	427165-011 & 041	3 × 2 × 13	3 × 3 × 13
13 ³ / ₁₆ "	4.750	1 ¹ / ₄ "	¹⁵ / ₃₂	3.937	4 ¹ / ₂	5.223	5	427171-011 & 041	4 × 3 × 13N	
13 ³ / ₁₆ "	4.750	1 ¹ / ₄ "	³ / ₄	3.937	4 ³ / ₄	5.732	6	427175-011 & 041		4 × 4 × 13
11 ¹ / ₂ "	4.120	1 ¹ / ₄ "	⁴⁷ / ₆₄	3.781	4 ²⁵ / ₃₂	5.733	6	426284-011 & 041	5 × 4 × 11.5	5 × 5 × 11.5
10 ³ / ₁₆ "	4.120	1 ¹ / ₄ "	¹⁵ / ₁₆	3.531	4 ⁷ / ₈	5.733	7	427154-011 & 041	5 × 4 × 10 6 × 4 × 10	6 × 6 × 10
8 ³ / ₁₆ "	4.120	1 ¹ / ₄ "	1 ³ / ₄	4.688	5 ⁵ / ₈	5.998	8	427140-011 & 041		6 × 6 × 8
11 ¹ / ₂ "	4.120	1 ¹ / ₄ "	²⁹ / ₃₂	4.187	5 ²³ / ₃₂	6.733	7	426288-011 & 041	6 × 5 × 11.5	6 × 6 × 11.5
13 ³ / ₁₆ "	7.225	1 ¹ / ₄ "	1 ³ / ₈	4.172	6 ¹³ / ₃₂	7.225	4	427173-011 & 041	6 × 4 × 13	6 × 6 × 13
10 ³ / ₁₆ "	4.120	1 ¹ / ₄ "	¹⁷ / ₃₂	4 ¹⁵ / ₆₄	6 ¹ / ₈	7.226	5	427160-011 & 041	6 × 5 × 10	
10 ³ / ₁₆ "	4.120	1 ¹ / ₄ "	1 ³ / ₄	4.438	6 ⁷ / ₁₆	7.227	8	427157-011 & 041	8 × 6 × 10	8 × 8 × 10
13 ³ / ₁₆ "	7.227	1 ¹ / ₄ "	1 ³ / ₁₆	4.406	6 ⁵ / ₈	7.463	5	427177-011 & 041	8 × 6 × 13	8 × 8 × 13

Commercial and industrial pump

Impeller identification

For current style center line horizontal pumps
and equal suction and discharge vertical pumps

A MAX. DIA.	B BAL. RING O.D.	C BORE	D BLADE WIDTH	E LENGTH	F EYE I.D.	G EYE O.D.	NO. BLADES	IMPELLER PART NUMBER	HORIZONTAL PUMP SIZE	VERTICAL PUMP SIZE
11½"	4.120	1¼"	1 ⁷ / ₁₆	4.687	7 ¹³ / ₆₄	7.985	7	426289-011 & 041	8 × 6 × 11.5	8 × 8 × 11.5
13 ³ / ₁₆ "	7.227	1¼"	1 ²⁷ / ₃₂	6.125	7 ³⁹ / ₆₄	8.127	7	427332-011 & 041		10 × 10 × 13
13 ³ / ₁₆ "	7.227	1¼"	2½	6.125	9⅞	9.753	7	427203-011 & 041	Obsolete, use 427332-011/ 041	
15½"	10.877	1⅝"	1 ³ / ₆₄	4.997	7 ⁵ / ₁₆	8.123	7	427214-011 & 041		8 × 8 × 15
13 ³ / ₁₆ "	7.227	1⅝"	1 ²⁷ / ₃₂	6.000	7 ³⁹ / ₆₄	8.127	7	427333-011 & 041		10 × 10 × 13
13	8.963	1⅝"	1 ⁷ / ₁₆	7.500	7 ¹³ / ₆₄	8.963	7	426995-011 & 041		12 × 12 × 13
15½"	10.877	1⅝"	1 ²⁹ / ₃₂	5.875	8 ¹⁵ / ₁₆	9.753	7	427217-011 & 041	10 × 8 × 15	10 × 10 × 15
13 ³ / ₁₆ "	7.227	1⅝"	2½	6.000	9⅞	9.753	7	427204-011 & 041	Obsolete, use 427333-011/ 041	
16"	11.000	2⅞"	3 ⁵ / ₁₆	9.500	10	11.000	7	426996-011 & 041		14 × 14 × 15

TORONTO
416 755 2291

BUFFALO
716 693 8813

BIRMINGHAM
+44 (0) 8444 145 145

MANCHESTER
+44 (0) 8444 145 145

BANGALORE
+91 (0) 80 4906 3555

SHANGHAI
86 21 3756 6696