

Parts list

Design Envelope IVS and IVS 102

File No: 6094.100
Date: JANUARY 30, 2013
Supersedes: 6094.100
Date: JANUARY 28, 2013

—

—

—

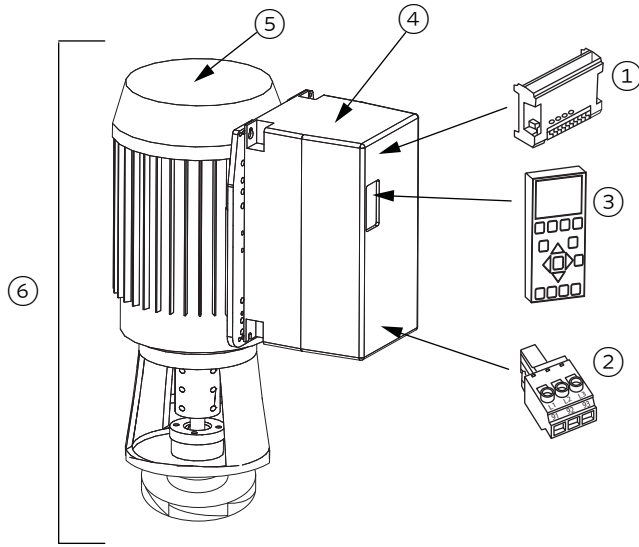
—

CONTENTS

BMS protocol card	4
Terminal block kit	5
ivs local control panel (LCP) keypad	6
ivs drive	6
Motor	6
ivs rotating assembly	6

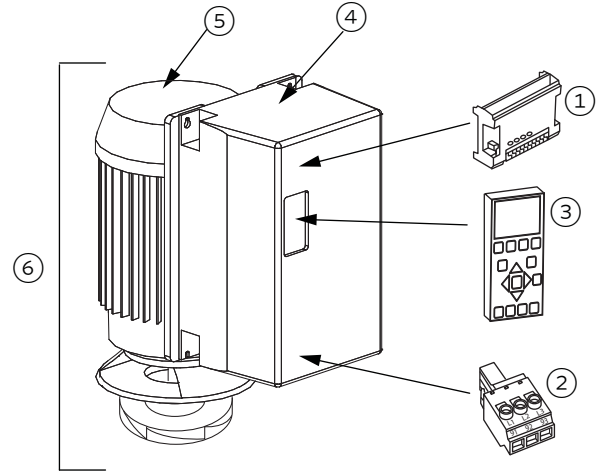
SPLIT-COUPLED VERTICAL IN-LINE

Design Envelope 4300 IVS
For dualArm 4302 IVS and twin 4312 IVS units, use
split-coupled VIL x 2



CLOSE-COUPLED VERTICAL IN-LINE

Design Envelope 4380 IVS
For dualArm 4382 IVS and Twin 4392 IVS units, use
close-coupled VIL x 2



ITEM	DESCRIPTION	PAGE
①	BMS protocol card	4
②	Terminal block kit	5
③	IVS Local Control Panel (LCP) keypad	6
④	IVS drive	6
⑤	Motor	6
⑥	IVS rotating assembly	6

ITEM 1 - BMS PROTOCOL CARD

QUANTITY	DESCRIPTION	PART NUMBER
1	BMS protocol card - BACnet MS/TP	PROTOCOL-DO-B
1	BMS protocol card - LonWorks	PROTOCOL-DO-L
1	BMS protocol card - Profibus	PROTOCOL-DO-P
1	BMS protocol card - DeviceNet	PROTOCOL-DO-D

ITEM 2 - TERMINAL BLOCK KIT (REFER TO POWER RANGE - CHASSIS SIZE TABLE)

QUANTITY	DESCRIPTION	PART NUMBER
1	Terminal block kit, chassis size A2/A3	IVS-TMLBLK-A2
1	Terminal block kit, chassis size A5	IVS-TMLBLK-A5
1	Terminal block kit, chassis size B1	IVS-TMLBLK-B1
1	Terminal block kit, chassis size B2	IVS-TMLBLK-B2
1	Terminal block kit, chassis size C1	IVS-TMLBLK-C1
1	Terminal block kit, chassis size C2	IVS-TMLBLK-C2
1	Terminal block kit, chassis size D1	IVS-TMLBLK-D1
1	Terminal block kit, chassis size D2	IVS-TMLBLK-D2
1	Terminal block kit, chassis size E1	IVS-TMLBLK-E1

POWER RANGE - CHASSIS SIZE

200—240V	300—480V	525V—600V	CHASSIS SIZE
1.5-3	1.5-5	—	A2
5	7.5-10	1.5-10	A3
1.5-5	1.5-10	1.5-10	A5
7.5-15	15-25	15-25	B1
20	30-40	30-40	B2
25-40	50-75	50-75	C1
50-60	100-125	100-125	C2
—	150-250	150-200	D1 Type 12 (standard)
—	300-450	250-400	D2 Type 12 (standard)
—	150-250	150-200	D3 Type 1
—	300-450	250-400	D4 Type 1
—	150-250	150-200	D5 Type 12 with disconnect
—	300-450	250-400	D7 Type 12 with disconnect
—	500-600	450-600	E1
—	650-1000	700-1000	F1
—	1250	1250	F2

6

ITEM 3 - IVS LOCAL CONTROL PANEL (LCP) KEYPAD

QUANTITY	DESCRIPTION	PART NUMBER
1	IVS 102 keypad	IVS-KEYPAD

ITEM 4 - IVS COMPLETE DRIVE

Please contact Armstrong service department with unit serial number for replacement ivs drive.
For integrated ivs pumping units 150 hp and greater prior to January 2013, replacement brackets and wiring may need to be supplied.
Contact Armstrong for details.

ITEM 5 - MOTOR

Please contact Armstrong service department with unit serial number for replacement motor.

ITEM 6 - IVS ROTATING ASSEMBLY

Please contact Armstrong service department with unit serial number for replacement ivs rotating assembly.

TORONTO
+1 416 755 2291

BUFFALO
+1 716 693 8813

BIRMINGHAM
+44 (0) 8444 145 145

MANCHESTER
+44 (0) 8444 145 145

BANGALORE
+91 (0) 80 4906 3555

SHANGHAI
+86 21 3756 6696

ARMSTRONG INTEGRATED
ESTABLISHED 1934

ARMSTRONGINTEGRATED.COM