

Product information presented here reflects conditions at time of publication. Consult factory regarding discrepancies or inconsistencies.

PUMP COMPANY

Zoeller Family of Water Solutions™

MAIL TO: P.O. BOX 16347 • Louisville, KY 40256-0347
 SHIP TO: 3649 Cane Run Road • Louisville, KY 40211-1961
 (502) 778-2731 • 1 (800) 928-PUMP • FAX (502) 774-3624

visit our web site:
www.zoeller.com

REPLACEMENT PARTS LIST FOR MODELS:

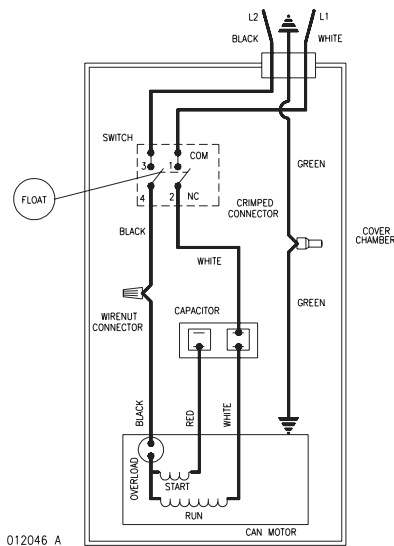
- M72 AUTOMATIC 115V
- N72 NONAUTOMATIC 115V
- M76 AUTOMATIC 115V
- N76 NONAUTOMATIC 115V

Consult factory for all other models

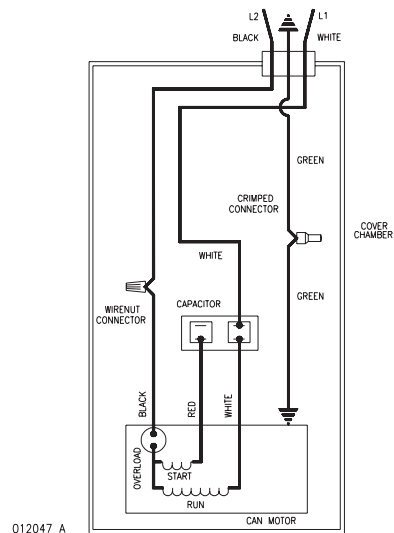
TO ORDER REPLACEMENT PARTS:

PLEASE FURNISH THE FOLLOWING INFORMATION:

- Model Number.
- Part Number of Pump.
- Part Number and Description of part.



WIRING DIAGRAM FOR MODEL
 M72
 7/99 THRU CURRENT

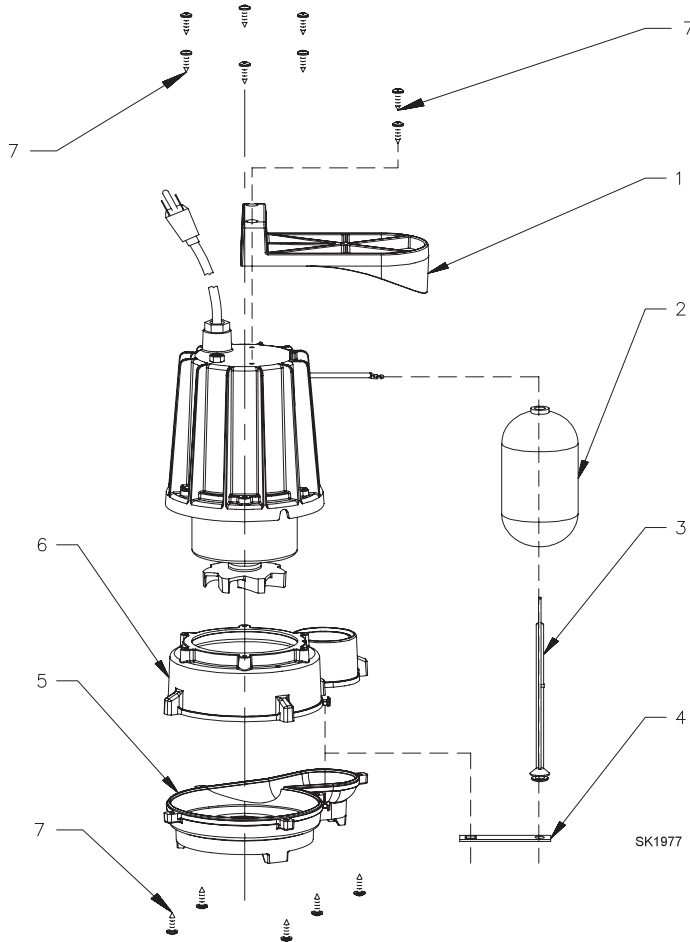


WIRING DIAGRAM FOR MODEL
 N72
 7/99 THRU CURRENT

**REPLACEMENT PARTS LIST FOR MODELS:
"M72", "N72", "M76" and "N76".**

MODEL: M72			Rev. A
REF. NO.	DESCRIPTION	QTY	7/99 thru Current
1	Guard/Handle	1	012029
2	Float-Polypropylene	1	034019
3	Float-Rod	1	054062
4	Guide	1	012043
5	Base	1	012028
6	Pump Housing	1	012027
7	Screw	13	012042

MODEL: N72			Rev. A
REF. NO.	DESCRIPTION	QTY	7/99 thru Current
1	Handle	1	012030
2	N/A	N/A	N/A
3	N/A	N/A	N/A
4	N/A	N/A	N/A
5	Base	1	012028
6	Pump Housing	1	012027
7	Screw	13	012042



MODEL: M76			Rev. A
REF. NO.	DESCRIPTION	QTY	02/00 thru Current
1	Guard/Handle	1	012029
2	Float-Polypropylene	1	034019
3	Float-Rod	1	002524
4	Guide	1	012043
5	Base	1	012028
6	Pump Housing	1	012048
7	Screw	13	012042

MODEL: N76			Rev. A
REF. NO.	DESCRIPTION	QTY	02/00 thru Current
1	Handle	1	012030
2	N/A	N/A	N/A
3	N/A	N/A	N/A
4	N/A	N/A	N/A
5	Base	1	012028
6	Pump Housing	1	012048
7	Screw	13	012042



PUMP COMPANY

MAIL TO: P.O. BOX 16347 • Louisville, KY 40256-0347
SHIP TO: 3649 Cane Run Road • Louisville, KY 40211-1961
(502) 778-2731 • 1 (800) 928-PUMP • FAX (502) 774-3624

Your Peace of Mind is Our Top Priority®

**visit our web site:
www.zoeller.com**