



Product information presented here reflects conditions at time of publication. Consult factory regarding discrepancies or inconsistencies.

PUMP COMPANY

Zoeller Family of Water Solutions™

MAIL TO: P.O. BOX 16347 • Louisville, KY 40256-0347
 SHIP TO: 3649 Cane Run Road • Louisville, KY 40211-1961
 (502) 778-2731 • 1 (800) 928-PUMP • FAX (502) 774-3624

visit our web site:
www.zoeller.com

REPLACEMENT PARTS LIST FOR MODELS:

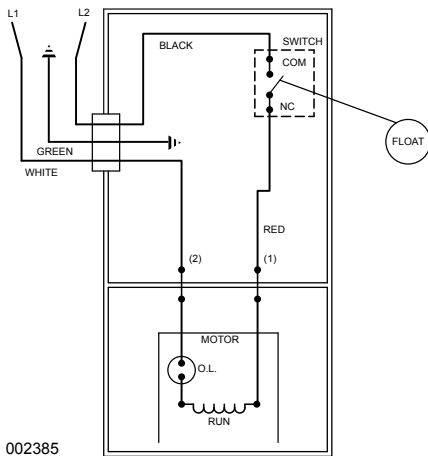
M59 AUTOMATIC 115V
D59 AUTOMATIC 230V
N59 NONAUTOMATIC 115V
E59 NONAUTOMATIC 230V

Consult factory for all other models.

TO ORDER REPLACEMENT PARTS:

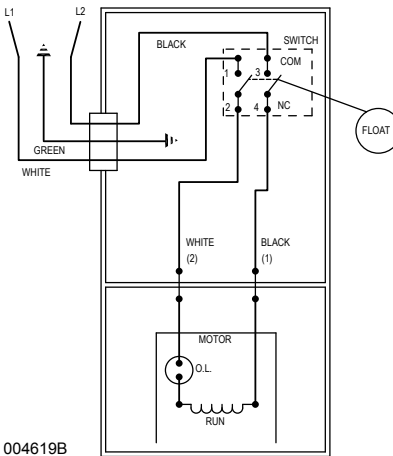
PLEASE FURNISH THE FOLLOWING INFORMATION:

- Model Number.
- Part Number of Pump.
 (If manufactured prior to June 1988, give 2 letter date code following Model No.)
- Part Number and Description of part.



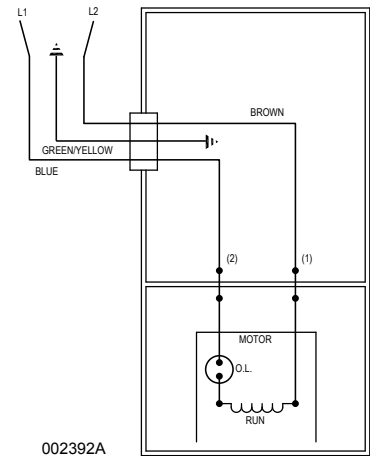
002385

WIRING DIAGRAM FOR MODELS
 "M59-A" and "M59-B"
 "D59-A" and "D59-B"
 8/80 (UJ) thru 8/86 (US)



004619B

WIRING DIAGRAM FOR MODELS
 "M59-C", "M59-D" and "M59-E"
 "D59-C", "D59-D" and "D59-E"
 9/86 (VS) thru Current



002392A

WIRING DIAGRAM FOR MODELS
 "N59", "N59-A", "N59-B", "N59-C", "N59-D"
 "E59", "E59-A", "E59-B", "E59-C", "E59-D"
 8/80 (UJ) thru Current

REPLACEMENT PARTS LIST FOR MODELS "M59" and "D59". See back page for "M59" and "D59" illustration

		MODELS:		M59-A	M59-B	M59-C	M59-D	M59-E	D59-A	D59-B	D59-C	D59-D	D59-E
REF NO.	DESCRIPTION	QTY	NOTES	8/80 UJ thru 12/80 YJ	1/81 MM thru 8/86 US	9/86 VS thru 8/87 UT	9/87 VT thru 6/92	7/92 thru Current	8/80 UJ thru 12/80 YJ	1/81 MM thru 8/86 US	9/86 VS thru 8/87 UT	9/87 VT thru 6/92	7/92 thru Current
1	• Gasket,Case/Cover	1		034046	034046	034046	034046	034046	034046	034046	034046	034046	034046
2	• Clamp,Strain Relief-#2F	1		004200	004200	004200	004200	004200	004200	004200	004200	004200	004200
3	• Seal,Cord-Asm	1	2	054025	002326	004322	004322	004322	054025	002326	004322	004322	004322
4	Cord Term & Seal	1	2	054026	002321	004700	004700	004700	054057	002320	004707	004707	004707
5	Stator Regal-Beloit	1	1	054040	054040	054040	054040	007951	N/A	N/A	N/A	N/A	007952
	Stator 115V/1Ph Emerson			N/A	N/A	N/A	002473	007953	N/A	N/A	N/A	N/A	012096
6	• Screw,#8-32 X 2.563 RHPI-Stlbo	2		001914	001914	001914	001914	001914	001914	001914	001914	001914	001914
7	Rotor Asm Regal-Beloit	1	1	054032	054032	054032	054032	054032	054032	054032	054032	054032	054032
	Rotor Asm 115/230V/1Ph Emerson			N/A	N/A	N/A	N/A	012095	N/A	N/A	N/A	N/A	012096
8	• Seal,Mtr Hsg	1		034007	034007	034007	034007	034007	034007	034007	034007	034007	034007
9	• Washer,Trst-Nyl.875X.504X.050"	1		002140	002140	002140	002140	002140	002140	002140	002140	002140	002140
10	Bearing, Sleeve-Lower Rotor	1		054024	054024	054024	054024	054024	054024	054024	054024	054024	054024
11	• Oil,Dielectric-(15.5 Oz Can)	1		002588	002588	002588	002588	002588	002588	002588	002588	002588	002588
12	Housing,Pump-Mach	1		059005	059005	059005	059005	059005	059005	059005	059005	059005	059005
13	• Seal Asm,Shaft-Blister Pak	1		267027	267027	267027	267027	267027	267027	267027	267027	267027	267027
14	Impeller Br "59"	1		059001	059001	059001	059001	059001	059001	059001	059001	059001	059001
15	Base Asm Br	1		059009	059009	059009	059009	059009	059009	059009	059009	059009	059009
16	Plate,Strainer-Plastic	1		001082	001082	001082	N/A	N/A	001082	001082	001082	N/A	N/A
17	Case Handle & Arm Asm "50"	1	2	056092	056092	004714	004714	004714	056093	056093	004714	004714	004714
18	Case & Switch "50"	1	2, 6	056051	056051	004711	004711	004711	056053	056053	004711	004711	004711
19	• Plug,Test-White	2		034090	034090	034090	034090	034090	034090	034090	034090	034090	034090
20	• Arm & Seal Asm "50"	1	2	054080	004704	004704	004704	004704	054080	004704	004704	004704	004704
21	Guard "97"	1	2	034016	034016	004645	004645	004645	034016	034016	004645	004645	004645
22	Switch Asm "50"	1	2	034061	034061	004705	004705	004705	034061	034061	004705	004705	004705
▣	Wire Asm-F-P(1)Wire Rs2.25"Lg	1		002231	002231	N/A	N/A	N/A	002231	002231	N/A	N/A	N/A
23	• Seal,Thru Wall Term	2		003402	003402	003402	003402	003402	003402	003402	003402	003402	003402
24	Housing,Mtr-Brg&Term Br "50"	1		059008	002517	004713	004713	004713	059008	002517	004713	004713	004713
25	Bearing,Upper Rotor	1		034052	034052	034052	034052	034052	034052	034052	034052	034052	034052
26	Float-Polypropylene	1		034019	034019	034019	034019	034019	034019	034019	034019	034019	034019
27	Rod Asm,Fit	1		054062	054062	054062	054062	054062	054062	054062	054062	054062	054062
28	Guide Asm,Fit Rod	1		034086	034086	034086	034086	034086	034086	034086	034086	034086	034086
29	• Screw,#10-24 X.75 RHM-SI SS	12		001885	001885	001885	001885	001885	001885	001885	001885	001885	001885
30	• Screw,#6-32x.438Rhsltp"1"Stlzi	3		001877	001877	001877	001877	001877	001877	001877	001877	001877	001877
31	• Screw,#6-32x.25RHM SI Tc Stlgr	2		001877	001877	004644	004644	004644	001877	001877	004644	004644	004644
32	• Ssem,10-24x.375HH-SI Tc.688Wash	3		002000	002000	002000	002000	002000	002000	002000	002000	002000	002000
▣	Rebuild Kit "59"	1		057059	057059	004716	004716	004716	057059	057059	004716	004716	004716

• Items included in Rebuild Kit. ▣ Not Shown in Illustration.

NOTES:

- Emerson stators (identified by green epoxy insulation) are no longer available. A stator and rotor combination by Regal-Beloit who took over the GE line of motors must be purchased to replace the individual Emerson stator or rotor for date code 7/92 to current. Emerson motors replacement prior to 7/92 is no longer available. 230 volt stators for Emerson and Regal-Beloit are no longer available prior to 7/92.
- To insure proper replacement, customer must identify if switch is a General Electric switch.
- See FM0160 Parts Price Sheet for listing of parts prices.
- "NA" indicates, not applicable.
- If an "X" follows Model No., or Date Mfg. on brass ID tag, consult factory for ordering any parts.
- For pumps with date code prior to 9/86, the replacement case & switch will have a new style switch.

DATE CODE OF MANUFACTURE FROM 12/70 to 12/88				
1st LETTER MONTH		2nd LETTER YEAR		
M — JAN.	T — JULY	A — 1971	G — 1977	O — 1983
N — FEB.	U — AUG.	B — 1972	H — 1978	P — 1984
O — MARCH	V — SEPT.	C — 1973	I — 1979	R — 1985
P — APRIL	W — OCT.	D — 1974	J — 1980	S — 1986
R — MAY	X — NOV.	E — 1975	M — 1981	T — 1987
S — JUNE	Y — DEC.	F — 1976	N — 1982	U — 1988

NOTE: Four digit (MMYY) date of mfg. used after June, 1988.
IE: MMYY = 0192 = Jan. 1992.

REPLACEMENT PARTS LIST FOR MODELS "N59" and "E59". See back page for "N59" and "E59" illustration.

MODELS:				N59	N59-A	N59-B	N59-C	N59-D	E59	E59-A	E59-B	E59-C	E59-D
REF NO.	DESCRIPTION	QTY	NOTES	8/80 UJ thru 12/80 YJ	1/81 MM thru 8/86 US	9/86 VS thru 8/87 UT	9/87 VT thru 6/92	7/92 thru Current	8/80 UJ thru 12/80 YJ	1/81 MM thru 8/86 US	9/86 VS thru 8/87 UT	9/87 VT thru 6/92	7/92 thru Current
1	• Gasket,Case/Cover	1		034046	034046	034046	034046	034046	034046	034046	034046	034046	034046
2	• Seal,Cord-Asm	1		054025	002326	004322	004322	004322	054025	002326	004322	004322	004322
3	• Clamp,Strain Relief-#2F	1		004200	004200	004200	004200	004200	004200	004200	004200	004200	004200
4	Cord Term & Seal	1		054069	002319	004708	004708	004708	054069	002319	004708	004708	004708
5	Stator Regal-Beloit	1	1	054040	054040	054040	054040	007951	054050	N/A	N/A	N/A	007952
	Stator 115V/1Ph Emerson	1	1	002473	N/A	N/A	N/A	012095	005530	N/A	N/A	N/A	012096
6	• Screw,#8-32 X 2.563 RHPI-Stlbo	2		001914	001914	001914	001914	001914	001914	001914	001914	001914	001914
7	Rotor Asm Regal-Beloit	1	1	054032	054032	054032	054032	054032	054032	054032	054032	054032	054032
	Rotor Asm 115V/1Ph Emerson	1	1	003735	N/A	N/A	N/A	012095	003735	N/A	N/A	N/A	012096
8	• Seal,Mtr Hsg	1		034007	034007	034007	034007	034007	034007	034007	034007	034007	034007
9	• Washer,Trst-Nyl.875X.504X.050"	1		002140	002140	002140	002140	002140	002140	002140	002140	002140	002140
10	Bearing,Sleeve-Lower Rotor	1		054024	054024	054024	054024	054024	054024	054024	054024	054024	054024
11	• Oil,Dielectric-(19 Oz Can)	1		002588	002588	002588	002588	002588	002588	002588	002588	002588	002588
12	Housing,Pump-&Brg Mach Br	1		059005	059005	059005	059005	059005	059005	059005	059005	059005	059005
13	• Seal Asm,Shaft-Blister Pak	1		267027	267027	267027	267027	267027	267027	267027	267027	267027	267027
13	• Seal Asm,Shaft-Blister Pak	1		267027	267027	267027	267027	267027	267027	267027	267027	267027	267027
14	Impeller Br "59"	1		059001	059001	059001	059001	059001	059001	059001	059001	059001	059001
15	Base Asm Br	1		059009	059009	059009	059009	059009	059009	059009	059009	059009	059009
16	Plate,Strainer-Plastic	1		001082	001082	001082	NA	NA	001082	001082	001082	NA	NA
17	Cover & Handle Br "50"	1		036067	036067	036067	036067	036067	036097	036097	036097	036097	036097
18	• Plug,Test-White	2		034090	034090	034090	034090	034090	034090	034090	034090	034090	034090
19	• Seal,Thru Wall Term	2		003402	003402	003402	003402	003402	003402	003402	003402	003402	003402
20	Housing,Mtr-Brg&Term Br "50"	1		059008	002517	004713	004713	004713	059008	002517	004713	004713	004713
21	Bearing,Upper Rotor	1		034052	034052	034052	034052	034052	034052	034052	034052	034052	034052
22	• Screw,#10-24 X.75 RHM-SI SS	12		001885	001885	001885	001885	001885	001885	001885	001885	001885	001885
23	• Screw,#6-32x.25RHM SI Tc Stlgr	1		001877	001877	001877	001877	001877	001877	001877	001877	001877	001877
24	• Sem,10-24x.375HH-SI Tc.688Wash	3		002000	002000	002000	002000	002000	002000	002000	002000	002000	002000
▫	Rebuild Kit	1		057059	057059	004716	004716	004716	057059	057059	004716	004716	004716

- Items included in Rebuild Kit.
- Not Shown in Illustration

NOTES:

- 1) Emerson stators (identified by green epoxy insulation) are no longer available. A stator and rotor combination by Regal-Beloit who took over the GE line of motors must be purchased to replace the individual Emerson stator or rotor for date code 7/92 to current. Emerson motors replacement prior to 7/92 is no longer available. 230 volt stators for Emerson and Regal-Beloit are no longer available prior to 7/92.
- 2) See FM0160 Parts Price Sheet for listing of parts prices.
- 3) "NA" indicates, not applicable.
- 4) If an "X" follows Model No., or Date Mfg. on brass ID tag, consult factory for ordering any parts.



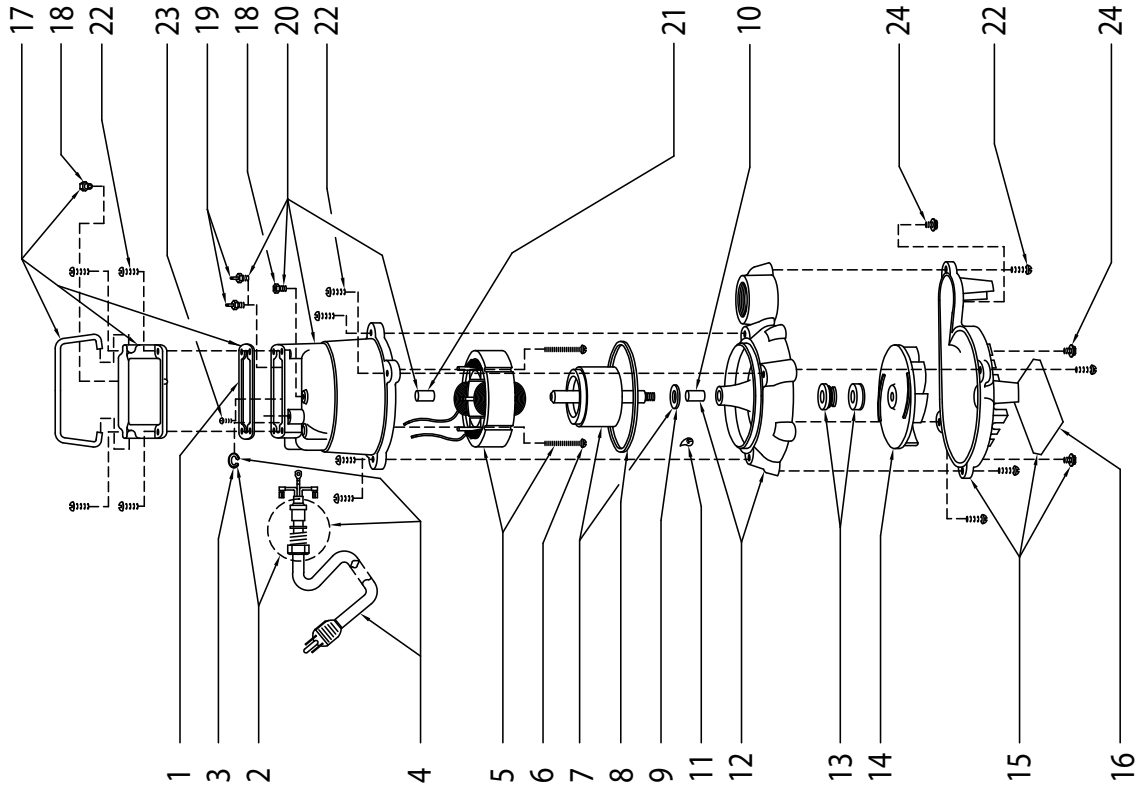
PUMP COMPANY

MAIL TO: P.O. BOX 16347 • Louisville, KY 40256-0347
 SHIP TO: 3649 Cane Run Road • Louisville, KY 40211-1961
 (502) 778-2731 • 1 (800) 928-PUMP • FAX (502) 774-3624

Your Peace of Mind is Our Top Priority®

visit our web site:
www.zoeller.com

REPLACEMENT PARTS ILLUSTRATION FOR MODELS "N59" AND "E59"



REPLACEMENT PARTS ILLUSTRATION FOR MODELS "M59" AND "D59"

