

Product information presented here reflects conditions at time of publication. Consult factory regarding discrepancies or inconsistencies.

MAIL TO: P.O. BOX 16347 • Louisville, KY 40256-0347  
 SHIP TO: 3649 Cane Run Road • Louisville, KY 40211-1961  
 (502) 778-2731 • 1 (800) 928-PUMP • FAX (502) 774-3624

visit our web site:  
[www.zoeller.com](http://www.zoeller.com)

## REPLACEMENT PARTS LIST FOR MODELS:

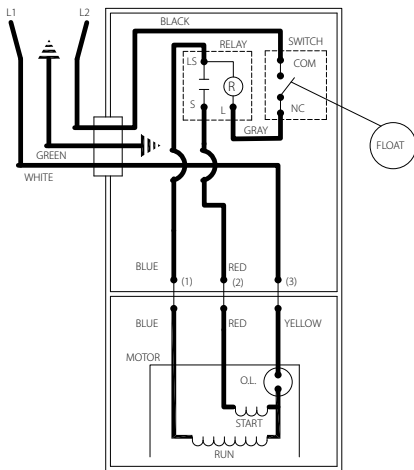
**M139 AUTOMATIC 115V**  
**D139 AUTOMATIC 230V**  
**N139 NON-AUTOMATIC 115V**  
**E139 NON-AUTOMATIC 230V**

Consult factory for all other models

### TO ORDER REPLACEMENT PARTS:

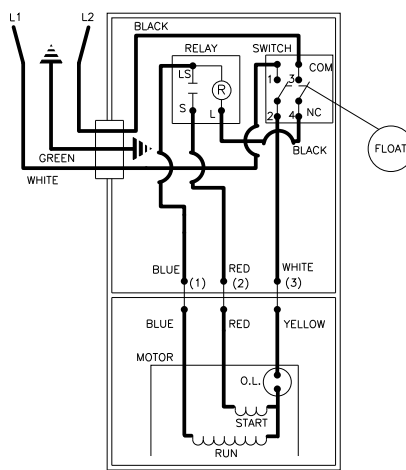
#### PLEASE FURNISH THE FOLLOWING INFORMATION:

- Model Number.
- Part Number of Pump.  
 (If manufactured prior to June 1988, give 2 letter date code following Model No.)
- Part Number and Description of part.



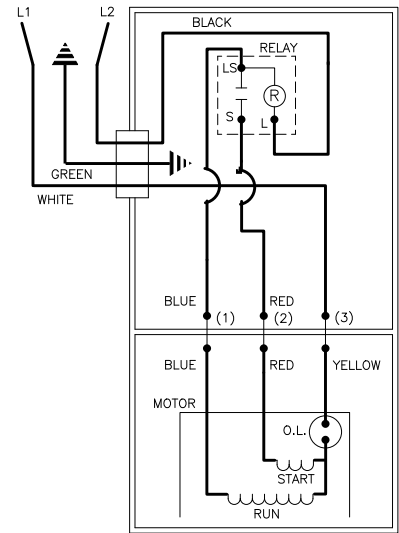
002389A

WIRING DIAGRAM FOR  
 MODELS  
 "M139-A"  
 "D139-A"  
 2/81 (NM) thru 8/86 (US)



004620

WIRING DIAGRAM FOR  
 MODELS  
 "M139-B"  
 "D139-B"  
 9/86 (VS) thru Present



002395

WIRING DIAGRAM FOR MODELS  
 "N139-A" and "N139-B"  
 "E139-A" and "E139-B"  
 2/81 (NM) thru Present



**REPLACEMENT PARTS LIST FOR MODELS "N139" and "E139".** See back page for "N139" and "E139" illustration.

REF. NO.	DESCRIPTION	QTY	NOTES	MODELS:														E139-A		E139-B	
				N139-A	N139-B													2/81 NM thru 8/86 US	9/86 VS thru Current	2/81 NM thru 8/86 US	9/86 VS thru Current
1	• Handle	1		267032	267032													267032	267032		
2	• Cover & Handle Asm	1		002599	002599													002599	002599		
3	• Cover-Mach	1		001519	001519													001519	001519		
4	• Gasket,Case/Cover	1		267007	267007													267007	267007		
5	• Relay Asm	1		002474	002474													267050	147135		
6	• Wire Pkg (2)Wires	1		267014	267014													267014	267014		
7	• Seal,Thru Wall Term	3		003402	003402													003402	003402		
8	• Plug,Test-White	2		034090	034090													034090	034090		
9	• Clamp,Strain Relief-Red	1		001770	001770													001770	001770		
10	• Cord Term & Seal 15'	1	3	003617	003617													003618	003618		
11	• Seal,Cord-Asm & Strain Relief	1		094032	094032													094032	094032		
12	• Bearing,Upper Rotor	1		NA	NA													NA	NA		
13	• Retainer, Hdl-Na	1		267053	267053													267053	267053		
14	• Housing,Mtr-&Str GE	1	1,2	002477	002477													002478	002478		
15	• Housing,Mtr-& Str EMD	1	1,2	005535	005535													005536	005536		
16	• Oil,Dielectric (24.5 Oz Can)	1		267056	267056													267056	267056		
16	• Rotor Asm 115/230V/1Ph GE	1	2	267005	267005													267005	267005		
16	• Rotor Asm 115/230V/1Ph EMD	1	2	004021	004021													004021	004021		
17	• Seal,Mtr Hsg	1		267006	267006													267006	267006		
18	• Washer,Trst-Nyl.875X.504X.050"	1		002140	002140													002140	002140		
19	• Bearing,Sleeve-Lower Rotor	1		NA	NA													NA	NA		
20	• Housing,Pump-Mach	1		139018	139018													139018	139018		
21	• Seal Asm,Shaft-Blister Pak	1		267027	267027													267027	267027		
22	• Impeller "137"	1		139006	139006													139006	139006		
23	• Base & Plate Asm	1		139002	139002													139002	139002		
24	• Strainer Plate	1		137008	137008													137008	137008		
25	• Screw,#6-32X.25RHM SI Tc Stlgr	2		001877	001877													001877	001877		
26	• Screw,#.25-20 X .75 HHm-SS	9		001916	001916													001916	001916		
27	• Screw,#10-24 x .375 RHM-SI SS	3		001883	001883													001883	001883		
28	• Sem,10-24x.375HH-SI Tc.688Wash	2		002000	002000													002000	002000		
29	• Screw, .25-20 x .875 HH SS			012491	012491													012491	012491		
☐	• Rebuild Kit "130/260"	1		267059	004743													267059	004743		

• Items included in Rebuild Kit. ☐ Not shown in illustration.

**NOTES:**

- 1) Mtr. Hsg., Brg., Stator & Term. (Item 14) are preassembled at the factory and must be replaced as a unit. Stator is permanently attached to the Motor Housing. Plug (Item 8); Seal, Thru Wall Term. (Item 7) and Bearing - Upper (Item 12) are replaceable.
- 2) When ordering Motor Housing, Bearing, Stator and Term. (Item 14) or Rotor (Item 16) specify either GE or Emerson motor. GE or Emerson motor. GE motor can be identified by (4) half oval slots spaced at 90° around the outside diameter or the stator. Emerson motor can be identified by (2) half oval slots or holes spaced 180° around the outside diameter of the stator.
- 3) If an "X" follows Model No., or Date Mfg. on brass ID tag, consult factory for ordering any parts.
- 4) See FM0160 Parts Price Sheet for listing of parts prices.
- 5) "NA" indicates, not applicable.



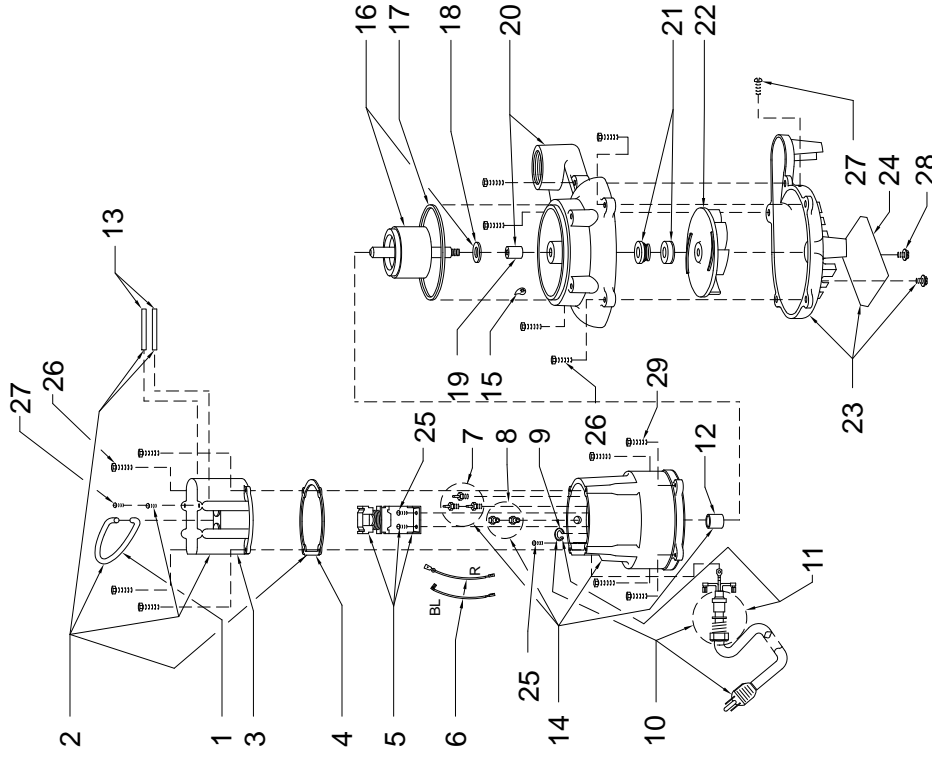
**PUMP COMPANY**

MAIL TO: P.O. BOX 16347 • Louisville, KY 40256-0347  
 SHIP TO: 3649 Cane Run Road • Louisville, KY 40211-1961  
 (502) 778-2731 • 1 (800) 928-PUMP • FAX (502) 774-3624

visit our web site:  
[www.zoeller.com](http://www.zoeller.com)

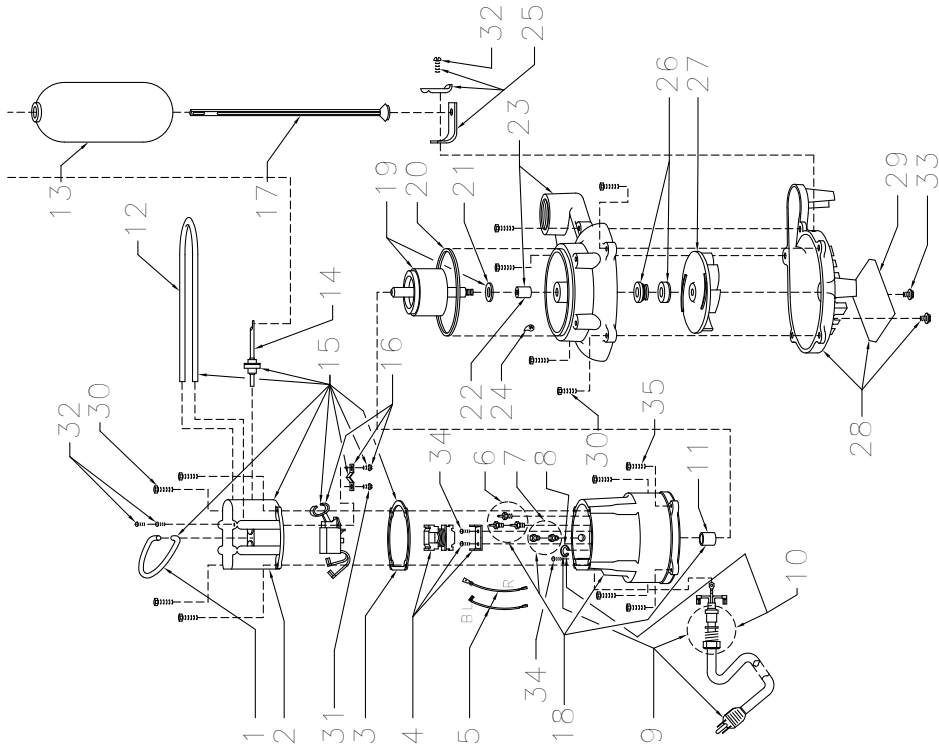
Your Peace of Mind is Our Top Priority™

REPLACEMENT PARTS ILLUSTRATION FOR MODELS "N139" AND "E139"



SK4813

REPLACEMENT PARTS ILLUSTRATION FOR MODELS "M139" AND "D139"



SK4814