



Product information presented here reflects conditions at time of publication. Consult factory regarding discrepancies or inconsistencies.

PUMP COMPANY

Zoeller Family of Water Solutions™

MAIL TO: P.O. BOX 16347 • Louisville, KY 40256-0347
SHIP TO: 3649 Cane Run Road • Louisville, KY 40211-1961
(502) 778-2731 • 1 (800) 928-PUMP • FAX (502) 774-3624

visit our web site:
www.zoeller.com

**REPLACEMENT PARTS LIST
FOR MODELS:**

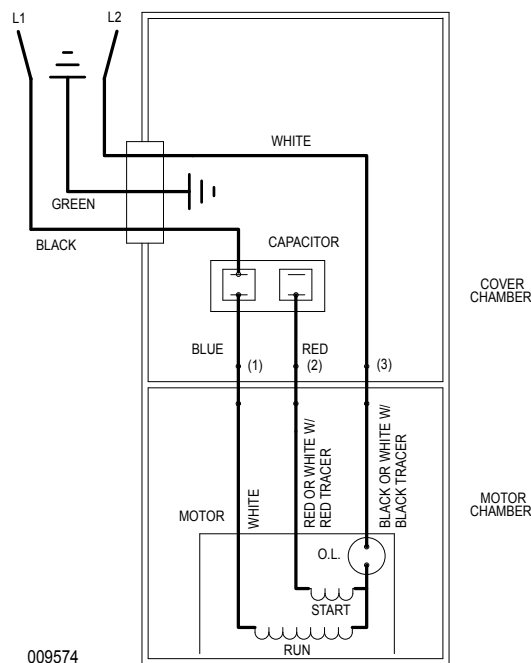
- N140 NONAUTOMATIC 115V**
- E140 NONAUTOMATIC 230V**
- N4140 NONAUTOMATIC 115V**
- E4140 NONAUTOMATIC 230V**
- N145 NONAUTOMATIC 115V**
- E145 NONAUTOMATIC 230V**
- N4145 NONAUTOMATIC 115V**
- E4145 NONAUTOMATIC 230V**

Consult factory for all other models

TO ORDER REPLACEMENT PARTS:

PLEASE FURNISH THE FOLLOWING INFORMATION:

- Model Number.
- Part Number of Pump.
- Part Number and Description of part.



009574

WIRING DIAGRAM FOR MODELS
"N140" All Revisions; "N4140" All Revisions;
"E140" All Revisions; "E4140" All Revisions
2/95 thru Current
"N145" & "E145" All Revisions; "N4145" & "E4145" All Revisions

REPLACEMENT PARTS LIST FOR SINGLE SEAL MODELS "N140" and "E140".

See page 6 for illustration.

REF NO.	DESCRIPTION	QTY	NOTES	MODELS:											
				N140-A	N140-B	N140-C	N140-D	N140-E	N140-F	E140-A	E140-B	E140-C	E140-D	E140-E	E140-F
1	HANDLE	1		2/95 thru 5/97	6/97 thru 9/02	10/02 thru 3/07	4/07 thru 4/08	5/08 thru 8/09	9/09 thru Current	2/95 thru 5/97	6/97 thru 9/02	10/02 thru 3/07	4/07 thru 6/08	7/08 thru 12/08	1/09 thru Current
2	CASE ASSEMBLY	1		2/95 thru 5/97	6/97 thru 9/02	10/02 thru 3/07	4/07 thru 4/08	5/08 thru 8/09	9/09 thru Current	2/95 thru 5/97	6/97 thru 9/02	10/02 thru 3/07	4/07 thru 6/08	7/08 thru 12/08	1/09 thru Current
3	CASE GASKET	1		2/95 thru 5/97	6/97 thru 9/02	10/02 thru 3/07	4/07 thru 4/08	5/08 thru 8/09	9/09 thru Current	2/95 thru 5/97	6/97 thru 9/02	10/02 thru 3/07	4/07 thru 6/08	7/08 thru 12/08	1/09 thru Current
4	POWER CORD	1	3	2/95 thru 5/97	6/97 thru 9/02	10/02 thru 3/07	4/07 thru 4/08	5/08 thru 8/09	9/09 thru Current	2/95 thru 5/97	6/97 thru 9/02	10/02 thru 3/07	4/07 thru 6/08	7/08 thru 12/08	1/09 thru Current
5	SEAL ASSEMBLY POWER	1		2/95 thru 5/97	6/97 thru 9/02	10/02 thru 3/07	4/07 thru 4/08	5/08 thru 8/09	9/09 thru Current	2/95 thru 5/97	6/97 thru 9/02	10/02 thru 3/07	4/07 thru 6/08	7/08 thru 12/08	1/09 thru Current
6	MOTOR HOUSING ASM/SOURCE	1	5	2/95 thru 5/97	6/97 thru 9/02	10/02 thru 3/07	4/07 thru 4/08	5/08 thru 8/09	9/09 thru Current	2/95 thru 5/97	6/97 thru 9/02	10/02 thru 3/07	4/07 thru 6/08	7/08 thru 12/08	1/09 thru Current
	MOTOR HOUSING ASM/ZT			2/95 thru 5/97	6/97 thru 9/02	10/02 thru 3/07	4/07 thru 4/08	5/08 thru 8/09	9/09 thru Current	2/95 thru 5/97	6/97 thru 9/02	10/02 thru 3/07	4/07 thru 6/08	7/08 thru 12/08	1/09 thru Current
7	ROTOR & BRG ASM/SOURCE	1	5	2/95 thru 5/97	6/97 thru 9/02	10/02 thru 3/07	4/07 thru 4/08	5/08 thru 8/09	9/09 thru Current	2/95 thru 5/97	6/97 thru 9/02	10/02 thru 3/07	4/07 thru 6/08	7/08 thru 12/08	1/09 thru Current
	ROTOR & BRG ASM/ZT			2/95 thru 5/97	6/97 thru 9/02	10/02 thru 3/07	4/07 thru 4/08	5/08 thru 8/09	9/09 thru Current	2/95 thru 5/97	6/97 thru 9/02	10/02 thru 3/07	4/07 thru 6/08	7/08 thru 12/08	1/09 thru Current
8	25 OZ OIL CAN	1		2/95 thru 5/97	6/97 thru 9/02	10/02 thru 3/07	4/07 thru 4/08	5/08 thru 8/09	9/09 thru Current	2/95 thru 5/97	6/97 thru 9/02	10/02 thru 3/07	4/07 thru 6/08	7/08 thru 12/08	1/09 thru Current
9	16 OZ OIL CAN	N/A		2/95 thru 5/97	6/97 thru 9/02	10/02 thru 3/07	4/07 thru 4/08	5/08 thru 8/09	9/09 thru Current	2/95 thru 5/97	6/97 thru 9/02	10/02 thru 3/07	4/07 thru 6/08	7/08 thru 12/08	1/09 thru Current
10	SEAL ASSEMBLY	1		2/95 thru 5/97	6/97 thru 9/02	10/02 thru 3/07	4/07 thru 4/08	5/08 thru 8/09	9/09 thru Current	2/95 thru 5/97	6/97 thru 9/02	10/02 thru 3/07	4/07 thru 6/08	7/08 thru 12/08	1/09 thru Current
11	SQUARE RING SEAL	1		2/95 thru 5/97	6/97 thru 9/02	10/02 thru 3/07	4/07 thru 4/08	5/08 thru 8/09	9/09 thru Current	2/95 thru 5/97	6/97 thru 9/02	10/02 thru 3/07	4/07 thru 6/08	7/08 thru 12/08	1/09 thru Current
12	BASE	1		2/95 thru 5/97	6/97 thru 9/02	10/02 thru 3/07	4/07 thru 4/08	5/08 thru 8/09	9/09 thru Current	2/95 thru 5/97	6/97 thru 9/02	10/02 thru 3/07	4/07 thru 6/08	7/08 thru 12/08	1/09 thru Current
13	HANDLE RETAINERS	2		2/95 thru 5/97	6/97 thru 9/02	10/02 thru 3/07	4/07 thru 4/08	5/08 thru 8/09	9/09 thru Current	2/95 thru 5/97	6/97 thru 9/02	10/02 thru 3/07	4/07 thru 6/08	7/08 thru 12/08	1/09 thru Current
14	TERM INSULATOR	2		2/95 thru 5/97	6/97 thru 9/02	10/02 thru 3/07	4/07 thru 4/08	5/08 thru 8/09	9/09 thru Current	2/95 thru 5/97	6/97 thru 9/02	10/02 thru 3/07	4/07 thru 6/08	7/08 thru 12/08	1/09 thru Current
15	WIRE PACK	1		2/95 thru 5/97	6/97 thru 9/02	10/02 thru 3/07	4/07 thru 4/08	5/08 thru 8/09	9/09 thru Current	2/95 thru 5/97	6/97 thru 9/02	10/02 thru 3/07	4/07 thru 6/08	7/08 thru 12/08	1/09 thru Current
16	CAPACITOR ASSEMBLY	1	4	2/95 thru 5/97	6/97 thru 9/02	10/02 thru 3/07	4/07 thru 4/08	5/08 thru 8/09	9/09 thru Current	2/95 thru 5/97	6/97 thru 9/02	10/02 thru 3/07	4/07 thru 6/08	7/08 thru 12/08	1/09 thru Current
17	BEARING RADIAL	1		2/95 thru 5/97	6/97 thru 9/02	10/02 thru 3/07	4/07 thru 4/08	5/08 thru 8/09	9/09 thru Current	2/95 thru 5/97	6/97 thru 9/02	10/02 thru 3/07	4/07 thru 6/08	7/08 thru 12/08	1/09 thru Current
18	ADAPTER	N/A		2/95 thru 5/97	6/97 thru 9/02	10/02 thru 3/07	4/07 thru 4/08	5/08 thru 8/09	9/09 thru Current	2/95 thru 5/97	6/97 thru 9/02	10/02 thru 3/07	4/07 thru 6/08	7/08 thru 12/08	1/09 thru Current
19	PUMP HOUSING	1		2/95 thru 5/97	6/97 thru 9/02	10/02 thru 3/07	4/07 thru 4/08	5/08 thru 8/09	9/09 thru Current	2/95 thru 5/97	6/97 thru 9/02	10/02 thru 3/07	4/07 thru 6/08	7/08 thru 12/08	1/09 thru Current
20	IMPELLER	1		2/95 thru 5/97	6/97 thru 9/02	10/02 thru 3/07	4/07 thru 4/08	5/08 thru 8/09	9/09 thru Current	2/95 thru 5/97	6/97 thru 9/02	10/02 thru 3/07	4/07 thru 6/08	7/08 thru 12/08	1/09 thru Current
21	TEST PLUG	2		2/95 thru 5/97	6/97 thru 9/02	10/02 thru 3/07	4/07 thru 4/08	5/08 thru 8/09	9/09 thru Current	2/95 thru 5/97	6/97 thru 9/02	10/02 thru 3/07	4/07 thru 6/08	7/08 thru 12/08	1/09 thru Current
22	SCREW 1/4-20X3/4	4		2/95 thru 5/97	6/97 thru 9/02	10/02 thru 3/07	4/07 thru 4/08	5/08 thru 8/09	9/09 thru Current	2/95 thru 5/97	6/97 thru 9/02	10/02 thru 3/07	4/07 thru 6/08	7/08 thru 12/08	1/09 thru Current
23	SCREW 10-24X3/4	4		2/95 thru 5/97	6/97 thru 9/02	10/02 thru 3/07	4/07 thru 4/08	5/08 thru 8/09	9/09 thru Current	2/95 thru 5/97	6/97 thru 9/02	10/02 thru 3/07	4/07 thru 6/08	7/08 thru 12/08	1/09 thru Current
24	SCREW 10-24X3/8	2		2/95 thru 5/97	6/97 thru 9/02	10/02 thru 3/07	4/07 thru 4/08	5/08 thru 8/09	9/09 thru Current	2/95 thru 5/97	6/97 thru 9/02	10/02 thru 3/07	4/07 thru 6/08	7/08 thru 12/08	1/09 thru Current
25	SCREW 6-32X7/16	1		2/95 thru 5/97	6/97 thru 9/02	10/02 thru 3/07	4/07 thru 4/08	5/08 thru 8/09	9/09 thru Current	2/95 thru 5/97	6/97 thru 9/02	10/02 thru 3/07	4/07 thru 6/08	7/08 thru 12/08	1/09 thru Current
26	WASHER#6	1		2/95 thru 5/97	6/97 thru 9/02	10/02 thru 3/07	4/07 thru 4/08	5/08 thru 8/09	9/09 thru Current	2/95 thru 5/97	6/97 thru 9/02	10/02 thru 3/07	4/07 thru 6/08	7/08 thru 12/08	1/09 thru Current
27	GROUND SCREW	3		2/95 thru 5/97	6/97 thru 9/02	10/02 thru 3/07	4/07 thru 4/08	5/08 thru 8/09	9/09 thru Current	2/95 thru 5/97	6/97 thru 9/02	10/02 thru 3/07	4/07 thru 6/08	7/08 thru 12/08	1/09 thru Current
28	THRU WALL TERMINAL	3		2/95 thru 5/97	6/97 thru 9/02	10/02 thru 3/07	4/07 thru 4/08	5/08 thru 8/09	9/09 thru Current	2/95 thru 5/97	6/97 thru 9/02	10/02 thru 3/07	4/07 thru 6/08	7/08 thru 12/08	1/09 thru Current
29	SNAP RING & WASHER	N/A		2/95 thru 5/97	6/97 thru 9/02	10/02 thru 3/07	4/07 thru 4/08	5/08 thru 8/09	9/09 thru Current	2/95 thru 5/97	6/97 thru 9/02	10/02 thru 3/07	4/07 thru 6/08	7/08 thru 12/08	1/09 thru Current
30	SEM SCREW	1		2/95 thru 5/97	6/97 thru 9/02	10/02 thru 3/07	4/07 thru 4/08	5/08 thru 8/09	9/09 thru Current	2/95 thru 5/97	6/97 thru 9/02	10/02 thru 3/07	4/07 thru 6/08	7/08 thru 12/08	1/09 thru Current
31	SCREW 1/2-20X	4		2/95 thru 5/97	6/97 thru 9/02	10/02 thru 3/07	4/07 thru 4/08	5/08 thru 8/09	9/09 thru Current	2/95 thru 5/97	6/97 thru 9/02	10/02 thru 3/07	4/07 thru 6/08	7/08 thru 12/08	1/09 thru Current
32	CAP BRACKET	1		2/95 thru 5/97	6/97 thru 9/02	10/02 thru 3/07	4/07 thru 4/08	5/08 thru 8/09	9/09 thru Current	2/95 thru 5/97	6/97 thru 9/02	10/02 thru 3/07	4/07 thru 6/08	7/08 thru 12/08	1/09 thru Current
▫	REBUILD KIT	1		2/95 thru 5/97	6/97 thru 9/02	10/02 thru 3/07	4/07 thru 4/08	5/08 thru 8/09	9/09 thru Current	2/95 thru 5/97	6/97 thru 9/02	10/02 thru 3/07	4/07 thru 6/08	7/08 thru 12/08	1/09 thru Current

• Items included in Rebuild Kit.

▫ Not shown in illustration.

NOTES:

- 1) See FM0160 parts price sheet for listing of parts pricing.
- 2) "N/A" indicates not applicable
- 3) If an "x" follows model number or date of manufacture on brass I.D. tag, consult factory for ordering of this part.
- 4) When replacing capacitor assembly on "REV. A" pumps only (Item 16) customer must also replace the case assembly (Item 2).
- 5) When ordering motor housing (Item 6) or rotor and bearing (Item 7), specify either source or ZT motor. ZT stator can be identified by a completely round stator

REPLACEMENT PARTS LIST FOR DOUBLE SEAL MODELS "N4140" and "E4140".

See page 6 for illustration.

REF NO.	DESCRIPTION	QTY	NOTES	MODELS:												
				N4140-A	N4140-B	N4140-C	N4140-D	N4140-E	N4140-F	E4140-A	E4140-B	E4140-C	E4140-D	E4140-E	E4140-F	
1	HANDLE	1		2/95 thru 5/97	2/95 thru 5/97	6/97 thru 9/02	10/02 thru 3/07	4/07 thru 4/08	5/08 thru 8/09	9/09 thru Current	2/95 thru 5/97	6/97 thru 9/02	10/02 thru 3/07	4/07 thru 6/08	7/08 thru 12/08	1/09 thru Current
2	CASE ASSEMBLY	1		267032	267032	267032	267032	267032	267032	267032	267032	267032	267032	267032	267032	267032
3	CASE GASKET	1		267051	267007	267007	267007	267007	267007	267007	267007	267007	267007	267007	267007	267007
4	POWER CORD	1	3	010155	010155	010155	010155	010155	010155	010155	010155	010155	010155	010155	010155	010155
5	SEAL ASSEMBLY POWER	1		010154	010154	010154	010154	010154	010154	010154	010154	010154	010154	010154	010154	010154
6	MOTOR HOUSING ASM/SOURCE	1	5	010156	010156	010156	010156	010156	010156	010156	010156	010156	010156	010156	010156	010156
	MOTOR HOUSING ASM/ZT	1		N/A	N/A	N/A	N/A	N/A	N/A	N/A	N/A	N/A	N/A	N/A	N/A	N/A
7	ROTOR & BRG ASM/SOURCE	1	5	010996	010996	010996	010996	010996	010996	010996	010996	010996	010996	010996	010996	010996
	ROTOR & BRG ASM/ZT	1		N/A	N/A	N/A	N/A	N/A	N/A	N/A	N/A	N/A	N/A	N/A	N/A	N/A
8	36.5 OZ OIL CAN	1		010331	010331	010331	010331	010331	010331	010331	010331	010331	010331	010331	010331	010331
9	16 OZ OIL CAN	1		010158	010158	010158	010158	010158	010158	010158	010158	010158	010158	010158	010158	010158
10	SEAL ASSEMBLY	2		011681	011681	011681	011681	011681	011681	011681	011681	011681	011681	011681	011681	011681
11	SQUARE RING SEAL	2		267006	267006	267006	267006	267006	267006	267006	267006	267006	267006	267006	267006	267006
12	BASE	1		010324	010324	010324	010324	010324	010324	010324	010324	010324	010324	010324	010324	010324
13	HANDLE RETAINERS	2		267053	267053	267053	267053	267053	267053	267053	267053	267053	267053	267053	267053	267053
14	TERM INSULATOR	2		001797	N/A	N/A	N/A	N/A	N/A	N/A	N/A	N/A	N/A	N/A	N/A	N/A
15	WIRE PACK	1		010159	010154	010154	010154	010154	010154	010154	010154	010154	010154	010154	010154	010154
16	CAPACITOR ASSEMBLY	1	4	010160	011550	011550	011550	011550	011550	011550	011550	011550	011550	011550	011550	011550
17	BEARING RADIAL	1		009540	009540	009540	009540	009540	009540	009540	009540	009540	009540	009540	009540	009540
18	ADAPTER	1		011679	011679	011679	011679	011679	011679	011679	011679	011679	011679	011679	011679	011679
19	PUMP HOUSING	1		009518	009518	009518	009518	009518	009518	009518	009518	009518	009518	009518	009518	009518
20	IMPELLER	1		011689	011689	011689	011689	011689	011689	011689	011689	011689	011689	011689	011689	011689
21	TEST PLUG	3		034090	003490	003490	003490	003490	003490	003490	003490	003490	003490	003490	003490	003490
22	SCREW 1/4-20X3/4	8		001916	001916	001916	001916	001916	001916	001916	001916	001916	001916	001916	001916	001916
23	SCREW 10-24X3/4	4		001885	001885	001885	001885	001885	001885	001885	001885	001885	001885	001885	001885	001885
24	SCREW 10-24X3/8	2		001883	001883	001883	001883	001883	001883	001883	001883	001883	001883	001883	001883	001883
25	SCREW 6-32X7/16	1		004644	004644	004644	004644	004644	004644	004644	004644	004644	004644	004644	004644	004644
26	WASHER #6	1		002117	002117	002117	002117	002117	002117	002117	002117	002117	002117	002117	002117	002117
27	GROUND SCREW	3		001877	001877	001877	001877	001877	001877	001877	001877	001877	001877	001877	001877	001877
28	THRU WALL TERMINAL	3		003402	003402	003402	003402	003402	003402	003402	003402	003402	003402	003402	003402	003402
29	SNAP RING & WASHER	1		010167	010167	010167	010167	010167	010167	010167	010167	010167	010167	010167	010167	010167
30	SEM SCREW	1		002000	002000	002000	002000	002000	002000	002000	002000	002000	002000	002000	002000	002000
31	SCREW 1/2-20X	4		012491	012491	012491	012491	012491	012491	012491	012491	012491	012491	012491	012491	012491
32	CAP BRACKET	1		153350	153350	153350	153350	153350	153350	153350	153350	153350	153350	153350	153350	153350
33	REBUILD KIT	1		010166	010166	010166	010166	010166	010166	010166	010166	010166	010166	010166	010166	010166

• Items included in Rebuild Kit.

▪ Not shown in illustration.

NOTES:

- 1) See FM0160 parts price sheet for listing of parts pricing.
- 2) "NA" indicates not applicable
- 3) If an "x" follows model number or date of manufacture on brass I.D. tag, consult factory for ordering of this part.
- 4) When replacing capacitor assembly on "REV. A" pumps only (Item 16) customer must also replace the case assembly (Item 2).
- 5) When ordering motor housing (Item 6) or rotor and bearing (Item 7), specify either source or ZT motor. ZT stator can be identified by a completely round stator

REPLACEMENT PARTS LIST FOR SINGLE SEAL MODELS "N145" & "E145"

See page 7 for illustration.

REF NO.	DESCRIPTION	QTY	NOTES	MODELS:	
				N145-A	E145-A
1	HANDLE	1		4/08 thru Current	11/11 thru Current
2	CASE ASSEMBLY	1		267051	267051
3	• CASE GASKET	1		267007	267007
4	POWER CORD	1	3	011551	003618
5	• SEAL ASSEMBLY POWER	1		010154	010154
6	MOTOR HOUSING ASSEMBLY	1		010156	010157
7	ROTOR & BRG ASM	1		010994	010994
8	• 25 OZ OIL CAN	1		010330	010330
9	16 OZ OIL CAN	N/A		N/A	N/A
10	• SEAL ASSEMBLY	1		011681	011681
11	• SQUARE RING SEAL	1		267006	267006
12	BASE	1		019052	019052
13	HANDLE RETAINERS	2		267053	267053
14	TERM INSULATOR	2		N/A	N/A
15	• WIRE PACK	1		010159	010159
16	CAPACITOR ASSEMBLY	1	4	010160	010160
17	• BEARING RADIAL	1		009540	009540
18	ADAPTER	N/A		N/A	N/A
19	PUMP HOUSING	1		009518	009518
20	IMPELLER	1		019051	019051
21	• TEST PLUG	2		034090	034090
22	• SCREW 1/4-20X3/4	4		001916	001916
23	• SCREW 10-24X3/4	4		001885	001885
24	• SCREW 10-24X3/8	2		001883	001883
25	• SCREW 6-32X7/16	1		004644	004644
26	• WASHER#6	1		002117	002117
27	• GROUND SCREW	3		001877	001877
28	• THRU WALL TERMINAL	3		003402	003402
29	• SNAP RING & WASHER	N/A		N/A	N/A
30	• SEM SCREW	1		N/A	N/A
31	SCREW 1/4-20X	4		012491	012491
32	CAP BRACKET	1		153350	153350
☐	REBUILD KIT	1		010173	010173

• Items included in Rebuild Kit.

☐ Not shown in illustration.

NOTES:

- 1) See FM0160 parts price sheet for listing of parts pricing.
- 2) "NA" indicates not applicable
- 3) If an "x" follows model number or date of manufacture on brass I.D. tag, consult factory for ordering of this part.
- 4) When replacing capacitor assembly on "REV. A" pumps only (Item 16) customer must also replace the case assembly (Item 2).

REPLACEMENT PARTS LIST FOR DOUBLE SEAL MODELS “N4145” & “E4145”

See page 7 for illustration.

MODELS:				N4145-A	E4145-A
REF NO.	DESCRIPTION	QTY	NOTES	4/08 thru Current	11/11 thru Current
1	HANDLE	1		267032	267032
2	CASE ASSEMBLY	1		267051	267051
3	• CASE GASKET	1		267007	267007
4	POWER CORD	1	3	011551	003618
5	• SEAL ASSEMBLY POWER	1		010154	010154
6	MOTOR HOUSING ASSEMBLY	1		010156	010157
7	ROTOR & BRG ASM	1		010996	010996
8	• 36.5 OZ OIL CAN	1		010331	010331
9	• 16 OZ OIL CAN	1		010158	010158
10	• SEAL ASSEMBLY	2		011681	011681
11	• SQUARE RING SEAL	2		267006	267006
12	BASE	1		019052	019052
13	HANDLE RETAINERS	2		267053	267053
14	TERM INSULATOR	2		N/A	N/A
15	• WIRE PACK	1		010159	010159
16	CAPACITOR ASSEMBLY	1	4	010160	010160
17	• BEARING RADIAL	1		009540	009540
18	ADAPTER	1		011679	011679
19	PUMP HOUSING	1		009518	009518
20	IMPELLER	1		019051	019051
21	• TEST PLUG	3		034090	034090
22	• SCREW 1/4-20X3/4	8		001916	001916
23	• SCREW 10-24X3/4	4		001885	001885
24	• SCREW 10-24X3/8	2		001883	001883
25	• SCREW 6-32X7/16	1		004644	004644
26	• WASHER #6	1		002117	002117
27	• GROUND SCREW	3		001877	001877
28	• THRU WALL TERMINAL	3		003402	003402
29	• SNAP RING &WASHER	1		010167	010167
30	• SEM SCREW	1		N/A	N/A
31	SCREW 1/4-20X	4		012491	012491
32	CAP BRACKET	1		153350	153350
▣	REBUILD KIT	1		010166	010166

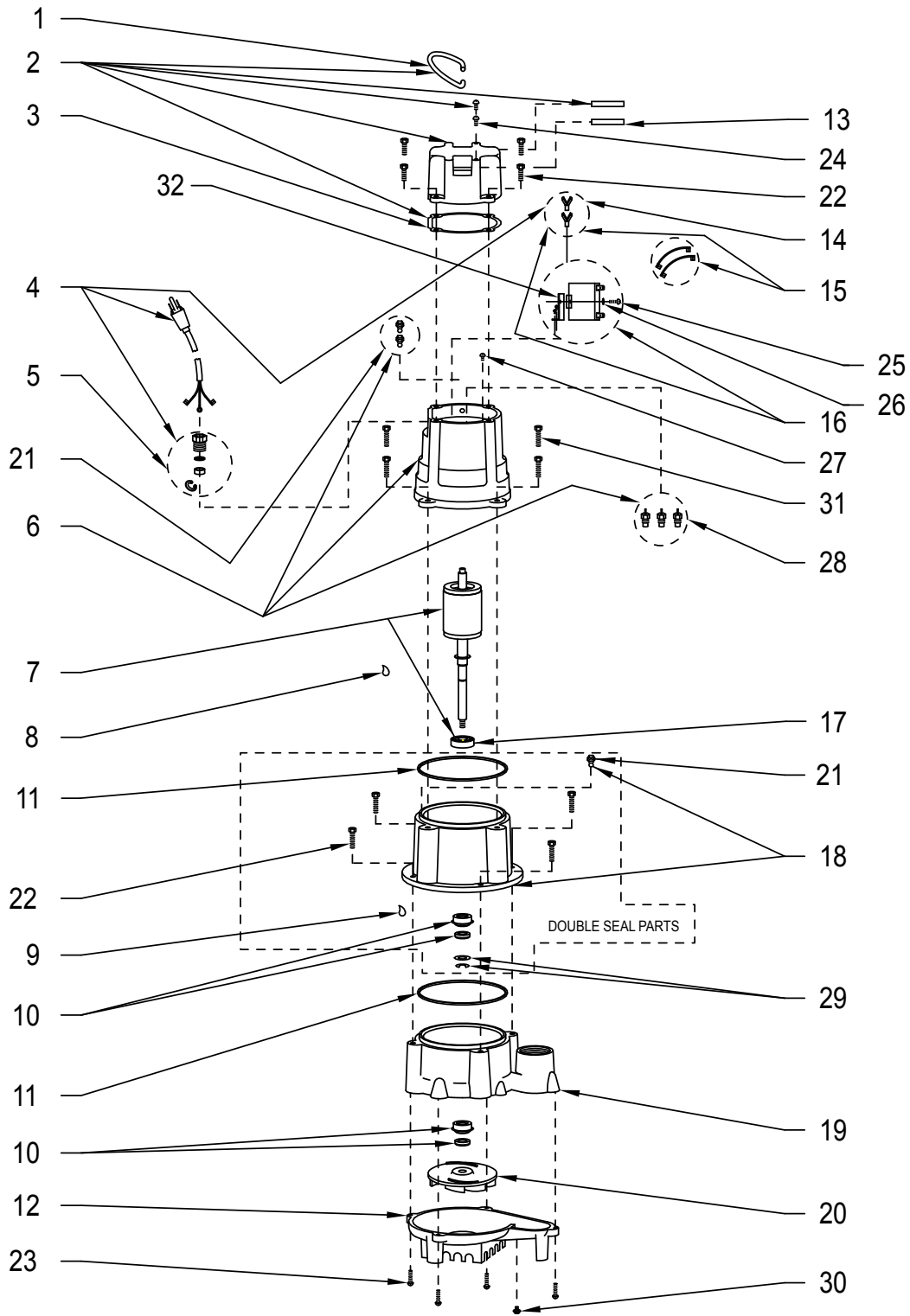
• Items included in Rebuild Kit.

▣ Not shown in illustration.

NOTES:

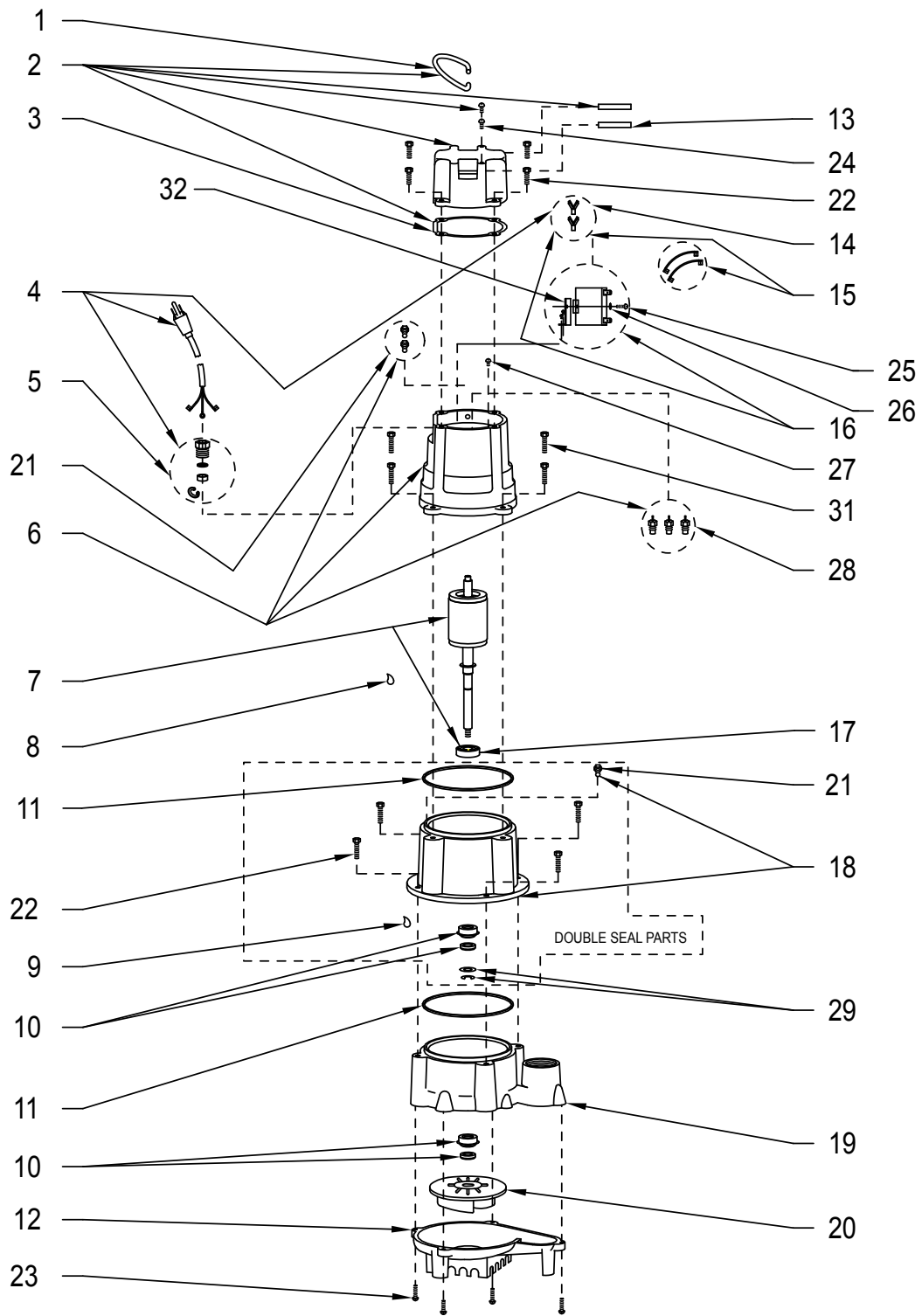
- 1) See FM0160 parts price sheet for listing of parts pricing.
- 2) “NA” indicates not applicable
- 3) If an “x” follows model number or date of manufacture on brass I.D. tag, consult factory for ordering of this part.
- 4) When replacing capacitor assembly on “REV. A” pumps only (Item 16) customer must also replace the case assembly (Item 2).

REPLACEMENT PARTS ILLUSTRATION FOR MODELS "140" and "4140"



SK1538

REPLACEMENT PARTS ILLUSTRATION FOR MODELS "145" and "4145"



SK2709



PUMP COMPANY

MAIL TO: P.O. BOX 16347 • Louisville, KY 40256-0347
SHIP TO: 3649 Cane Run Road • Louisville, KY 40211-1961
(502) 778-2731 • 1 (800) 928-PUMP • FAX (502) 774-3624

Your Peace of Mind is Our Top Priority®

**visit our web site:
www.zoeller.com**