

Product information presented here reflects conditions at time of publication. Consult factory regarding discrepancies or inconsistencies.

MAIL TO: P.O. BOX 16347 • Louisville, KY 40256-0347  
 SHIP TO: 3649 Cane Run Road • Louisville, KY 40211-1961  
 (502) 778-2731 • 1 (800) 928-PUMP • FAX (502) 774-3624

visit our web site:  
[www.zoeller.com](http://www.zoeller.com)

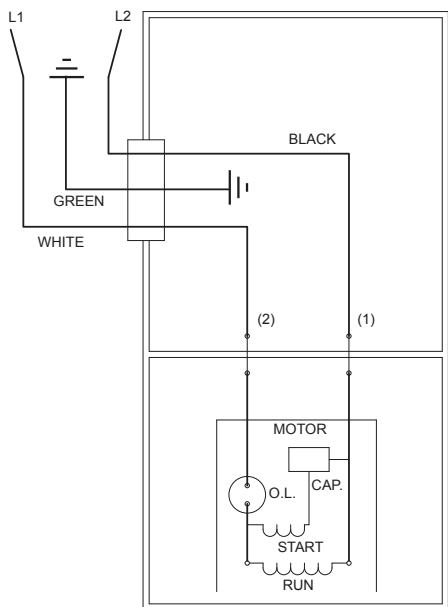
## REPLACEMENT PARTS LIST FOR MODELS:

**N151 NONAUTOMATIC 115V, BN151 AUTOMATIC 115V**  
**E151 NONAUTOMATIC 230V, BE151 AUTOMATIC 230V**  
**N152 NONAUTOMATIC 115V, BN152 AUTOMATIC 115V**  
**WM152 AUTOMATIC w/WIRED FLOAT SWITCH 115V**  
**E152 NONAUTOMATIC 230V, BE152 AUTOMATIC 230V**  
**N153 NONAUTOMATIC 115V, BN153 AUTOMATIC 115V**  
**E153 NONAUTOMATIC 230V, BE153 AUTOMATIC 230V**

### TO ORDER REPLACEMENT PARTS:

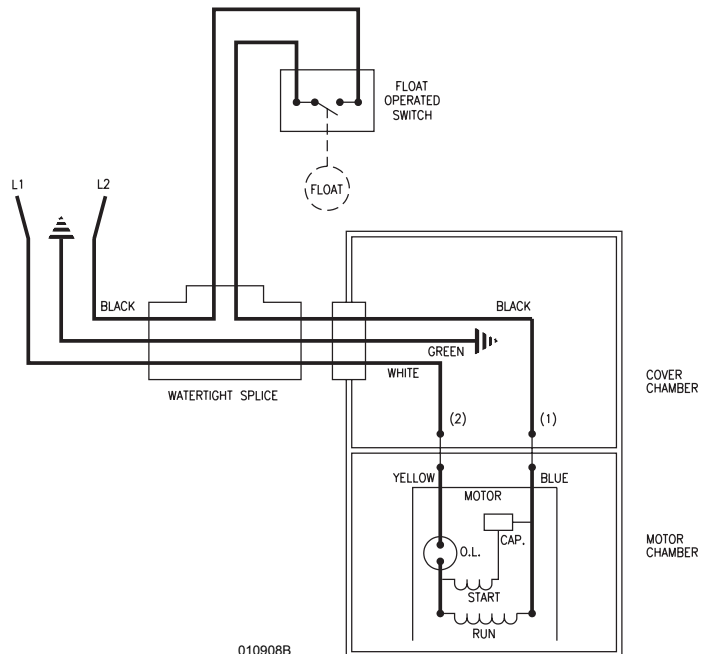
#### PLEASE FURNISH THE FOLLOWING INFORMATION:

- Model Number.
- Part Number of Pump.
- Part Number and Description of part.



009059

WIRING DIAGRAM FOR MODELS  
 "N/BN151-A & B", "E/BE151-A & B" 05/02 thru Current and  
 "N/BN152-A & B", "E/BE152-A & B" and  
 "N/BN153-A & B", "E/BE153-A & B"  
 07/00 thru Current



010908B

WIRING DIAGRAM FOR MODEL  
 "WM152-A" 06/03 thru 10/06  
 "WM152-B" 11/06 thru Current

## REPLACEMENT PARTS LIST FOR MODEL "N151"

MODEL:						N151-A	N151-B
REF. NO.	DESCRIPTION	QTY.	NOTES	05/02 thru 11/06	12/06 thru Current		
1	• GASKET,CASE/COVER	1		034046	034046		
2	• CLAMP,STRAIN RELIEF-#2F	1		004200	004200		
3	• SEAL,CORD-ASM	1		004322	004322		
4	• CORD TERM&SEAL 115V/20'/18-3 SJTW/15A PLUG	1		014530	014530		
5	• SCREW,STATOR 8-32 X 2.13"LG	2		015133	015133		
6	STATOR W-SCREWS 115V/1PH/.33HP/"151"	1		016924	018183		
7	ROTOR & BEARING ASM 115/230V/1PH/.33HP/"151"	1		017061	018184		
8	• SEAL,MTR HSG	1		034007	034007		
9	BEARING, RADIAL	1		015355	009540		
10	• OIL,DIELECTRIC-(30.5 OZ)	1		007051	007051		
11	HOUSING,PUMP-MACH "151"	1		015080	018202		
12	• SEAL ASM,SHAFT/.5"(JOHN CRANE TYPE 6A)"/140/270"	1		011681	011681		
13	IMPELLER-PLASTIC "151"	1		015147	015147		
14	BASE ASM "53/55"	1		002690	002690		
15	COVER & HANDLE "97"	1		002580	002580		
16	• PLUG,TEST-WHITE	2		034090	034090		
17	• SCREW,#10-24 X.75 RHM-SL SS	16		001885	001885		
18	• SCREW,#6-32X.25RHM SL TC	1		001877	001877		
19	• SEAL,THRU WALL TERM	2		003402	003402		
20	HOUSING,MTR-& TERM ASM "50"	1		004712	004712		
▫	REBUILD KIT 230V/"151"	1		017062	017062		

## REPLACEMENT PARTS LIST FOR MODEL "BN151"

MODEL:						BN151-A	BN151-B
REF. NO.	DESCRIPTION	QTY.	NOTES	05/02 thru 11/06	12/06 thru Current		
1	• GASKET,CASE/COVER	1		034046	034046		
2	• CLAMP,STRAIN RELIEF-#2F	1		004200	004200		
3	• SEAL,CORD-ASM	1		004322	004322		
4	• CORD TERM&SEAL 115V/20'/18-3 SJTW/15A PLUG	1		014530	014530		
5	• SCREW,STATOR 8-32 X 2.13"LG	2		015133	015133		
6	STATOR W-SCREWS 115V/1PH/.33HP/"151"	1		016924	018183		
7	ROTOR & BEARING ASM 115/230V/1PH/.33HP/"151"	1		017061	018184		
8	• SEAL,MTR HSG	1		034007	034007		
9	BEARING, RADIAL	1		015355	009540		
10	• OIL,DIELECTRIC-(30.5 OZ)	1		007051	007051		
11	HOUSING,PUMP-MACH "151"	1		015080	018202		
12	• SEAL ASM,SHAFT/.5"(JOHN CRANE TYPE 6A)"/140/270"	1		011681	011681		
13	IMPELLER-PLASTIC "151"	1		015147	015147		
14	BASE ASM "53/55"	1		002690	002690		
15	COVER & HANDLE "97"	1		002580	002580		
16	• PLUG,TEST-WHITE	2		034090	034090		
17	• SCREW,#10-24 X.75 RHM-SL SS	16		001885	001885		
18	• SCREW,#6-32X.25RHM SL TC	1		001877	001877		
19	• SEAL,THRU WALL TERM	2		003402	003402		
20	HOUSING,MTR-& TERM ASM "50"	1		004712	004712		
21	SWITCH,MECH FLT/SPB/115V/20'CD/13AMP/.5HP/N.O.	1		009819	009819		
▫	REBUILD KIT 230V/"151"	1		017062	017062		

### NOTES :

- 1) See FM0160 Parts Price Sheet for listing of parts prices.
- 2) "NA" indicates, not applicable.

• Items included in Rebuild Kit. ▫ Not shown in illustration. SEE NOTES AT RIGHT.

## REPLACEMENT PARTS LIST FOR MODEL "E151"

			MODEL:	E151-A	E151-B
REF. NO.	DESCRIPTION	QTY.	NOTES	05/02 thru 11/06	12/06 thru Current
1	• GASKET,CASE/COVER	1		034046	034046
2	• CLAMP,STRAIN RELIEF-#2F	1		004200	004200
3	• SEAL,CORD-ASM	1		014597	014597
4	• CORD TERM&SEAL 230V/20'/18-3 SOW/15A PLUG	1		014531	014531
5	• SCREW,STATOR 8-32 X 2.13"LG	2		015133	015133
6	STATOR W-SCREWS 230V/1PH/.33HP/"151"	1		017066	018185
7	ROTOR & BEARING ASM 115/230V/1PH/.33HP/"151"	1		017061	018184
8	• SEAL,MTR HSG	1		034007	034007
9	BEARING, RADIAL	1		015355	009540
10	• OIL,DIELECTRIC-(30.5 OZ)	1		007051	007051
11	HOUSING,PUMP-MACH "151"	1		015080	018202
12	• SEAL ASM,SHAFT/.5"(JOHN CRANE TYPE 6A)"/140/270"	1		011681	011681
13	IMPELLER-PLASTIC "151"	1		015147	015147
14	BASE ASM "53/55"	1		002690	002690
15	COVER & HANDLE "97"	1		002580	002580
16	• PLUG,TEST-WHITE	2		034090	034090
17	• SCREW,#10-24 X.75 RHM-SL SS	16		001885	001885
18	• SCREW,#6-32X.25RHM SL TC	1		001877	001877
19	• SEAL,THRU WALL TERM	2		003402	003402
20	HOUSING,MTR-& TERM ASM "50"	1		004712	004712
▣	REBUILD KIT 230V/"151"	1		017063	017063

## REPLACEMENT PARTS LIST FOR MODEL "BE151"

			MODEL:	BE151-A	BE151-B
REF. NO.	DESCRIPTION	QTY.	NOTES	05/02 thru 11/06	12/06 thru Current
1	• GASKET,CASE/COVER	1		034046	034046
2	• CLAMP,STRAIN RELIEF-#2F	1		004200	004200
3	• SEAL,CORD-ASM	1		014597	014597
4	• CORD TERM&SEAL 230V/20'/18-3 SOW/15A PLUG	1		014531	014531
5	• SCREW,STATOR 8-32 X 2.13"LG	2		015133	015133
6	STATOR W-SCREWS 230V/1PH/.33HP/"151"	1		017066	018185
7	ROTOR & BEARING ASM 115/230V/1PH/.33HP/"151"	1		017061	018184
8	• SEAL,MTR HSG	1		034007	034007
9	BEARING, RADIAL	1		015355	009540
10	• OIL,DIELECTRIC-(30.5 OZ)	1		007051	007051
11	HOUSING,PUMP-MACH "151"	1		015080	018202
12	• SEAL ASM,SHAFT/.5"(JOHN CRANE TYPE 6A)"/140/270"	1		011681	011681
13	IMPELLER-PLASTIC "151"	1		015147	015147
14	BASE ASM "53/55"	1		002690	002690
15	COVER & HANDLE "97"	1		002580	002580
16	• PLUG,TEST-WHITE	2		034090	034090
17	• SCREW,#10-24 X.75 RHM-SL SS	16		001885	001885
18	• SCREW,#6-32X.25RHM SL TC	1		001877	001877
19	• SEAL,THRU WALL TERM	2		003402	003402
20	HOUSING,MTR-& TERM ASM "50"	1		004712	004712
21	SWITCH,MECH FLT/SPB/230V/20'CD/15AMP/2HP	1		10-0559	10-0559
▣	REBUILD KIT 230V/"151"	1		017063	017063

### NOTES :

- 1) See FM0160 Parts Price Sheet for listing of parts prices.
- 2) "NA" indicates, not applicable.

• Items included in Rebuild Kit. ▣ Not shown in illustration. SEE NOTES AT RIGHT.

## REPLACEMENT PARTS LIST FOR MODEL "N152"

				MODEL:	
				N152-A	N152-B
REF. NO.	DESCRIPTION	QTY.	NOTES	07/00 thru 10/06	11/06 thru Current
1	• Gasket, Case Cover	1		034046	034046
2	• Clamp, Strain Relief-Red	1		004200	004200
3	• Seal, Cord Asm	1		004322	004322
4	Cord Term & Seal 20'	1		014530	014530
5	• Screw, #8-32x2.563 Rhpl-Stlbo	2		001914	001914
6	Stator w/Screws	1		014532	018179
7	Rotor Asm 115/230V/1Ph	1		014536	018182
8	• Seal, Motor Housing	1		034007	034007
9	Bearing, Radial	1		009540	009540
10	• Oil, Dielectric (30.5 oz can)	1		007051	007051
11	Housing, Pump-Mach	1		014229	018202
12	• Seal Asm	1		011681	011681
13	Impeller	1		013243	013243
14	Base-Mach	1		014230	018163
15	Cover Handle	1		002580	002580
16	• Plug, Test-White	2		034090	034090
17	• Screw #10-24x.75 RHM-SI SS	12		001885	001885
18	• Screw #6-32x.25 RHM SI Tc Stlgr	1		001877	001877
19	• Seal, Thru-Wall Term	2		003402	003402
20	Housing, Motor	1		004712	004712
21	Float Switch	1	2	N/A	N/A
▣	Rebuild Kit	1		014538	014538

## REPLACEMENT PARTS LIST FOR MODEL "BN152"

				MODEL:	
				BN152-A	BN152-B
REF. NO.	DESCRIPTION	QTY.	NOTES	11/00 thru 10/06	11/06 thru Current
1	• Gasket, Case Cover	1		034046	034046
2	• Clamp, Strain Relief-Red	1		004200	004200
3	• Seal, Cord Asm	1		004322	004322
4	Cord Term & Seal 20'	1		014530	014530
5	• Screw, #8-32x2.563 Rhpl-Stlbo	2		001914	001914
6	Stator w/Screws	1		014532	018179
7	Rotor Asm 115/230V/1Ph	1		014536	018182
8	• Seal, Motor Housing	1		034007	034007
9	Bearing, Radial	1		009540	009540
10	• Oil, Dielectric (30.5 oz can)	1		007051	007051
11	Housing, Pump-Mach	1		014229	018202
12	• Seal Asm	1		011681	011681
13	Impeller	1		013243	013243
14	Base-Mach	1		014230	018163
15	Cover Handle	1		002580	002580
16	• Plug, Test-White	2		034090	034090
17	• Screw #10-24x.75 RHM-SI SS	12		001885	001885
18	• Screw #6-32x.25 RHM SI Tc Stlgr	1		001877	001877
19	• Seal, Thru-Wall Term	2		003402	003402
20	Housing, Motor	1		004712	004712
21	Float Switch	1		009819	009819
▣	Rebuild Kit	1		014538	014538

## REPLACEMENT PARTS LIST FOR MODEL "WM152"

				MODEL:	
				WM152-A	WM152-B
REF. NO.	DESCRIPTION	QTY.	NOTES	06/03 thru 10/06	11/06 thru Current
1	• Gasket, Case Cover	1		034046	034046
2	• Clamp, Strain Relief-Red	1		001770	001770
3	• Screw, #8-32x2.563 Rhpl-Stlbo	2		001914	001914
4	Stator w/Screws	1		014532	018179
5	Rotor Asm 115/230V/1Ph	1		014536	018182
6	• Seal, Motor Housing	1		034007	034007
7	Bearing, Radial	1		009540	009540
8	• Oil, Dielectric (30.5 oz can)	1		007051	007051
9	Housing, Pump-Mach	1		014229	018202
10	• Seal Asm	1		011681	011681
11	Impeller	1		013243	013243
12	Base-Mach	1		014230	018163
13	Cover Handle	1		002580	002580
14	• Plug, Test-White	2		034090	034090
15	• Screw #10-24x.75 RHM-SI SS	12		001885	001885
16	• Screw #6-32x.25 RHM SI Tc Stlgr	1		001877	001877
17	• Seal, Thru-Wall Term	2		003402	003402
18	Housing, Motor	1		004712	004712
19	Float rod stop-mech sw	2		009120	009120
20	Float, mech switch	1		009119	009119
21	Rod, float-vert switch	1		010499	010499
22	Float rod retaining pin	1		009121	009121
23	Hardware pack, vert sw	1		010532	010532
24	• Seal, cord-asm	1		011562	011562
25	Switch & cord, seal asm	1		011563	011563
▣	Rebuild Kit	1		019353	019353

### NOTES :

- 1) See FM0160 Parts Price Sheet for listing of parts prices.
- 2) "NA" indicates, not applicable.

• Items included in Rebuild Kit. ▣ Not shown in illustration. SEE NOTES AT RIGHT.

## REPLACEMENT PARTS LIST FOR MODEL "E152"

MODEL:						E152-A	E152-B
REF. NO.	DESCRIPTION	QTY.	NOTES	04/01 thru 05/07	06/07 thru Current		
1	• Gasket, Case Cover	1		034046	034046		
2	• Clamp, Strain Relief-Red	1		004200	004200		
3	• Seal, Cord Asm	1		014597	014597		
4	Cord Term & Seal 20'	1		014531	014531		
5	• Screw, #8-32x2.563 Rhpl-Stlbo	2		001914	001914		
6	Stator w/Screws	1		014533	018180		
7	Rotor Asm 115/230V/1Ph	1		014536	018182		
8	• Seal, Motor Housing	1		034007	034007		
9	Bearing, Radial	1		009540	009540		
10	• Oil, Dielectric (30.5 oz can)	1		007051	007051		
11	Housing, Pump-Mach	1		014229	018202		
12	• Seal Asm	1		011681	011681		
13	Impeller	1		013243	013243		
14	Base-Mach	1		014230	018163		
15	Cover Handle	1		002580	002580		
16	• Plug, Test-White	2		034090	034090		
17	• Screw #10-24x.75 RHM-SI SS	12		001885	001885		
18	• Screw #6-32x.25 RHM SI Tc Stlgr	1		001877	001877		
19	• Seal, Thru-Wall Term	2		003402	003402		
20	Housing, Motor	1		004712	004712		
21	Float Switch	1	2	N/A	N/A		
☐	Rebuild Kit	1		014539	014539		

## REPLACEMENT PARTS LIST FOR MODEL "BE152"

MODEL:						BE152-A	BE152-B
REF. NO.	DESCRIPTION	QTY.	NOTES	02/01 thru 05/07	06/07 thru Current		
1	• Gasket, Case Cover	1		034046	034046		
2	• Clamp, Strain Relief-Red	1		004200	004200		
3	• Seal, Cord Asm	1		014597	014597		
4	Cord Term & Seal 20'	1		014531	014531		
5	• Screw, #8-32x2.563 Rhpl-Stlbo	2		001914	001914		
6	Stator w/Screws	1		014533	018180		
7	Rotor Asm 115/230V/1Ph	1		014536	018182		
8	• Seal, Motor Housing	1		034007	034007		
9	Bearing, Radial	1		009540	009540		
10	• Oil, Dielectric (30.5 oz can)	1		007051	007051		
11	Housing, Pump-Mach	1		014229	018202		
12	• Seal Asm	1		011681	011681		
13	Impeller	1		013243	013243		
14	Base-Mach	1		014230	018163		
15	Cover Handle	1		002580	002580		
16	• Plug, Test-White	2		034090	034090		
17	• Screw #10-24x.75 RHM-SI SS	12		001885	001885		
18	• Screw #6-32x.25 RHM SI Tc Stlgr	1		001877	001877		
19	• Seal, Thru-Wall Term	2		003402	003402		
20	Housing, Motor	1		004712	004712		
21	Float Switch	1		10-0559	10-0559		
☐	Rebuild Kit	1		014539	014539		

### NOTES :

- 1) See FM0160 Parts Price Sheet for listing of parts prices.
- 2) "NA" indicates, not applicable.

• Items included in Rebuild Kit. ☐ Not shown in illustration. SEE NOTES AT RIGHT.

## REPLACEMENT PARTS LIST FOR MODEL "N153"

				MODEL:	
				N153-A	N153-B
REF. NO.	DESCRIPTION	QTY.	NOTES	11/00 thru 10/06	11/06 thru Current
1	• Gasket, Case Cover	1		034046	034046
2	• Clamp, Strain Relief-Red	1		004200	004200
3	• Seal, Cord Asm	1		004322	004322
4	Cord Term & Seal 20'	1		014530	014530
5	• Screw, #8-32x2.563 Rhpl-Stlbo	2		001914	001914
6	Stator w/Screws	1		014534	018179
7	Rotor Asm 115/230V/1Ph	1		014537	018182
8	• Seal, Motor Housing	1		034007	034007
9	Bearing, Radial	1		009540	009540
10	• Oil, Dielectric (30.5 oz can)	1		007051	007051
11	Housing, Pump-Mach	1		014229	018202
12	• Seal Asm	1		011681	011681
13	Impeller	1		014457	014457
14	Base-Mach	1		014230	018163
15	Cover Handle	1		002580	002580
16	• Plug, Test-White	2		034090	034090
17	• Screw #10-24x.75 RHM-SI SS	12		001885	001885
18	• Screw #6-32x.25 RHM SI Tc Stlgr	1		001877	001877
19	• Seal, Thru-Wall Term	2		003402	003402
20	Housing, Motor	1		004712	004712
21	Float Switch	1	2	N/A	N/A
⌘	Rebuild Kit	1		014538	014538

## REPLACEMENT PARTS LIST FOR MODEL "BN153"

				MODEL:	
				BN153-A	BN153-B
REF. NO.	DESCRIPTION	QTY.	NOTES	11/00 thru 10/06	11/06 thru Current
1	• Gasket, Case Cover	1		034046	034046
2	• Clamp, Strain Relief-Red	1		004200	004200
3	• Seal, Cord Asm	1		004322	004322
4	Cord Term & Seal 20'	1		014530	014530
5	• Screw, #8-32x2.563 Rhpl-Stlbo	2		001914	001914
6	Stator w/Screws	1		014534	018179
7	Rotor Asm 115/230V/1Ph	1		014537	018182
8	• Seal, Motor Housing	1		034007	034007
9	Bearing, Radial	1		009540	009540
10	• Oil, Dielectric (30.5 oz can)	1		007051	007051
11	Housing, Pump-Mach	1		014229	018202
12	• Seal Asm	1		011681	011681
13	Impeller	1		014457	014457
14	Base-Mach	1		014230	018163
15	Cover Handle	1		002580	002580
16	• Plug, Test-White	2		034090	034090
17	• Screw #10-24x.75 RHM-SI SS	12		001885	001885
18	• Screw #6-32x.25 RHM SI Tc Stlgr	1		001877	001877
19	• Seal, Thru-Wall Term	2		003402	003402
20	Housing, Motor	1		004712	004712
21	Float Switch	1		009819	009819
⌘	Rebuild Kit	1		014538	014538

### NOTES :

- 1) See FM0160 Parts Price Sheet for listing of parts prices.
- 2) "NA" indicates, not applicable.

• Items included in Rebuild Kit. ⌘ Not shown in illustration. SEE NOTES AT RIGHT.

## REPLACEMENT PARTS LIST FOR MODEL "E153"

MODEL:						E153-A	E153-B
REF. NO.	DESCRIPTION	QTY.	NOTES	03/01 thru 05/07	06/07 thru Current		
1	• Gasket, Case Cover	1		034046	034046		
2	• Clamp, Strain Relief-Red	1		004200	004200		
3	• Seal, Cord Asm	1		014597	014597		
4	Cord Term & Seal 20'	1		014531	014531		
5	• Screw, #8-32x2.563 Rhpl-Stlbo	2		001914	001914		
6	Stator w/Screws	1		014535	018180		
7	Rotor Asm 115/230V/1Ph	1		014537	018182		
8	• Seal, Motor Housing	1		034007	034007		
9	Bearing, Radial	1		009540	009540		
10	• Oil, Dielectric (30.5 oz can)	1		007051	007051		
11	Housing, Pump-Mach	1		014229	018202		
12	• Seal Asm	1		011681	011681		
13	Impeller	1		014457	014457		
14	Base-Mach	1		014230	018163		
15	Cover Handle	1		002580	002580		
16	• Plug, Test-White	2		034090	034090		
17	• Screw #10-24x.75 RHM-SI SS	12		001885	001885		
18	• Screw #6-32x.25 RHM SI Tc Stlgr	1		001877	001877		
19	• Seal, Thru-Wall Term	2		003402	003402		
20	Housing, Motor	1		004712	004712		
21	Float Switch	1	2	N/A	N/A		
⌘	Rebuild Kit	1		014539	014539		

## REPLACEMENT PARTS LIST FOR MODEL "BE153"

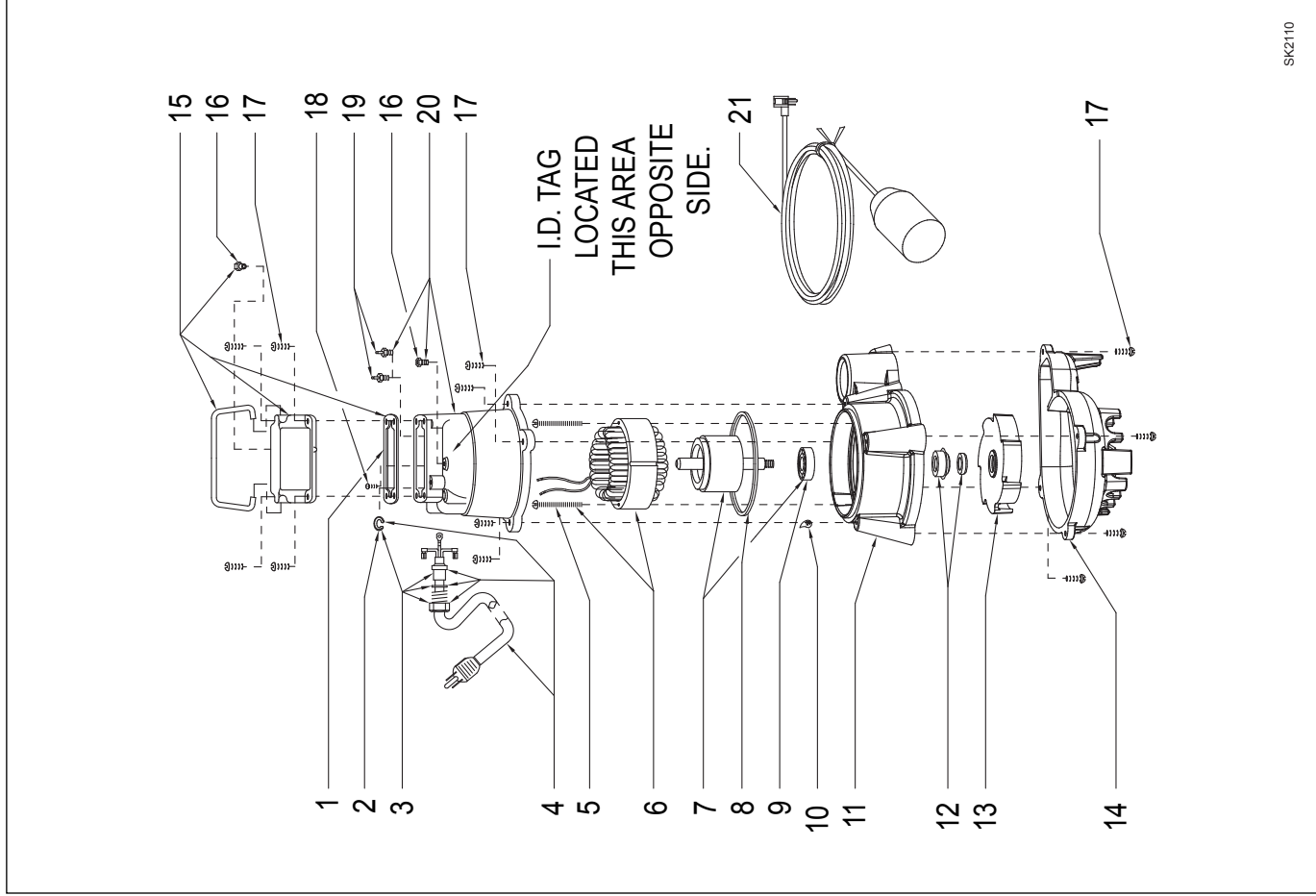
MODEL:						BE153-A	BE153-B
REF. NO.	DESCRIPTION	QTY.	NOTES	04/01 thru 05/07	06/07 thru Current		
1	• Gasket, Case Cover	1		034046	034046		
2	• Clamp, Strain Relief-Red	1		004200	004200		
3	• Seal, Cord Asm	1		014597	014597		
4	Cord Term & Seal 20'	1		014531	014531		
5	• Screw, #8-32x2.563 Rhpl-Stlbo	2		001914	001914		
6	Stator w/Screws	1		014535	018180		
7	Rotor Asm 115/230V/1Ph	1		014537	018182		
8	• Seal, Motor Housing	1		034007	034007		
9	Bearing, Radial	1		009540	009540		
10	• Oil, Dielectric (30.5 oz can)	1		007051	007051		
11	Housing, Pump-Mach	1		014229	018202		
12	• Seal Asm	1		011681	011681		
13	Impeller	1		014457	014457		
14	Base-Mach	1		014230	018163		
15	Cover Handle	1		002580	002580		
16	• Plug, Test-White	2		034090	034090		
17	• Screw #10-24x.75 RHM-SI SS	12		001885	001885		
18	• Screw #6-32x.25 RHM SI Tc Stlgr	1		001877	001877		
19	• Seal, Thru-Wall Term	2		003402	003402		
20	Housing, Motor	1		004712	004712		
21	Float Switch	1		10-0559	10-0559		
⌘	Rebuild Kit	1		014539	014539		

### NOTES :

- 1) See FM0160 Parts Price Sheet for listing of parts prices.
- 2) "NA" indicates, not applicable.

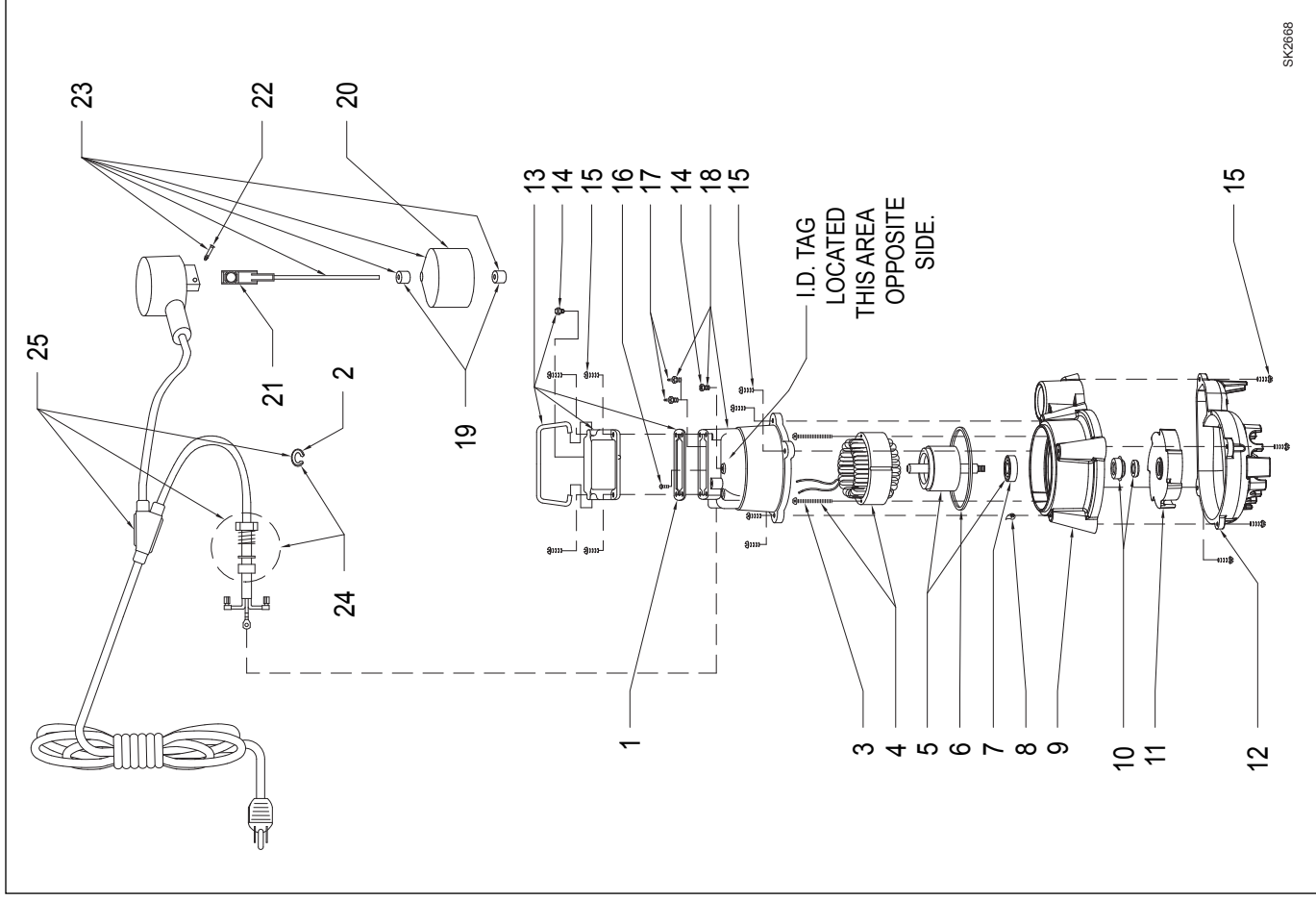
• Items included in Rebuild Kit. ⌘ Not shown in illustration. SEE NOTES AT RIGHT.

REPLACEMENT PARTS ILLUSTRATION FOR ALL MODELS EXCEPT "WM152"



SK2110

REPLACEMENT PARTS ILLUSTRATION FOR MODEL "WM152"



SK2688