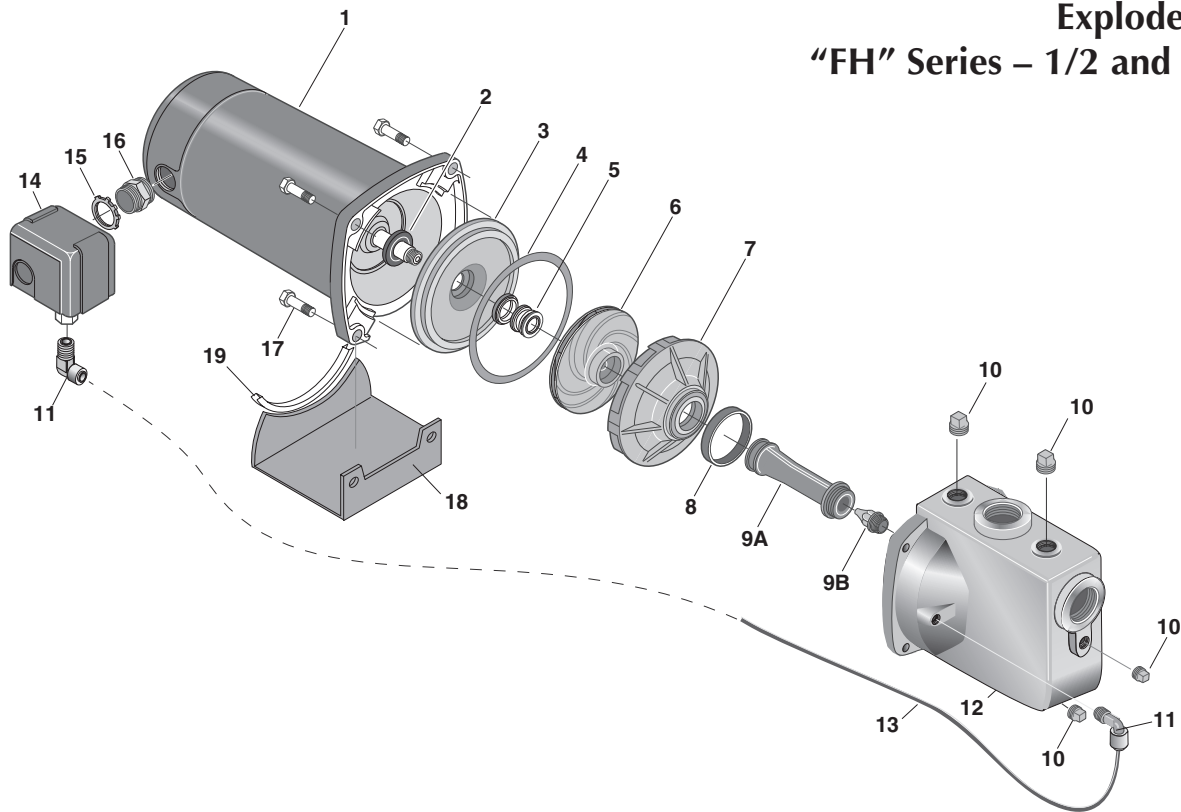


Exploded View "FH" Series – 1/2 and 3/4 HP



REPAIR PARTS LIST: "FH" Series, 1/2 and 3/4 HP

Key No.	Part Description	No. Used	Model and Horsepower			
			BFH50, FH50 1/2 HP	FH50S* 1/2 HP	FHP50* 1/2 HP	FH75* 3/4 HP
1	Motor, 115/230V	1	77012B	77013B	77013B	77014B
2	Water Slinger	1	17351-0009	17351-0009	17351-0009	17351-0009
3	Seal Plate Assembly (Incl. #5)	1	056592	056592	056592	056592
4	Seal Plate Gasket	1	C20-77	C20-77	C20-77	C20-77
5	Shaft Seal	1	U109-6A	U109-6A	U109-6A	U109-6A
6	Impeller	1	A56712	A56712	A56712	A56712
7	Diffuser	1	056796	056796	056796	056796
8	Diffuser Ring	1	L21-1	L21-1	L21-1	L21-1
9A	Venturi	1	27396	34397	34398	27403
9B	Nozzle	1	27921	27925	27922	27926
10	Capscrew 1/4-18 Square Head	1	27061LT	27061LT	27061LT	27061LT
11	1/4" NPT 90 Degree Connector	2	U11-218P	U11-218P	U11-218P	U11-218P
12	Tank Body	1	34712	34712	34712	34712
13	Pressure Switch Tube	1	U37-677P	U37-677P	U37-677P	U37-677P
14	Pressure Switch	1	74782	74782	74782	74782
15	Locknut 1/2"	1	U36-112ZP	U36-112ZP	U36-112ZP	U36-112ZP
16	Connector 1/2"	1	L43-5C	L43-5C	L43-5C	L43-5C
17	Capscrew #3/8-16	4	U30-75ZP	U30-75ZP	U30-75ZP	U30-75ZP
18	Base Assembly Painted	1	J4-9	J4-9	J4-9	J4-9
19	Rubber Pad	1	32364	32364	32364	32364

*These models are no longer available for sale. Informational only.