

PRODUCT INFORMATION PACKET

Model No: 048A11T201
Catalog No: X304
1/3,1075,TEAO,48Y,1/60/115
Direct Drive Blower and Unit Heater



Regal and Marathon are trademarks of Regal Beloit Corporation or one of its affiliated companies.
©2018 Regal Beloit Corporation, All Rights Reserved. MC017097E





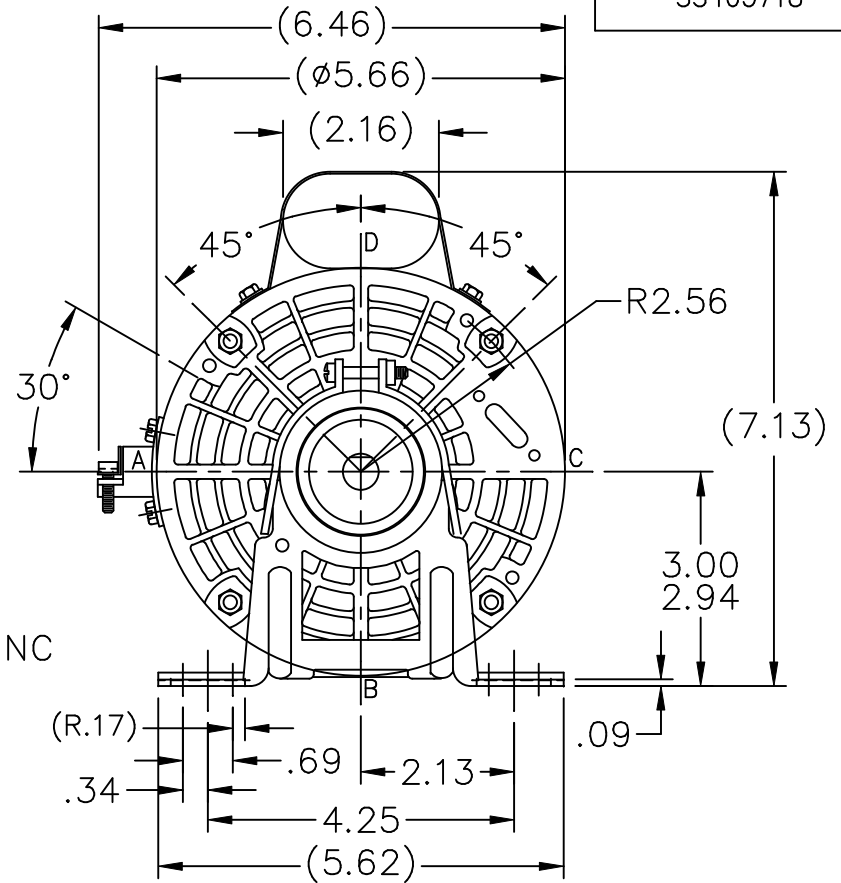
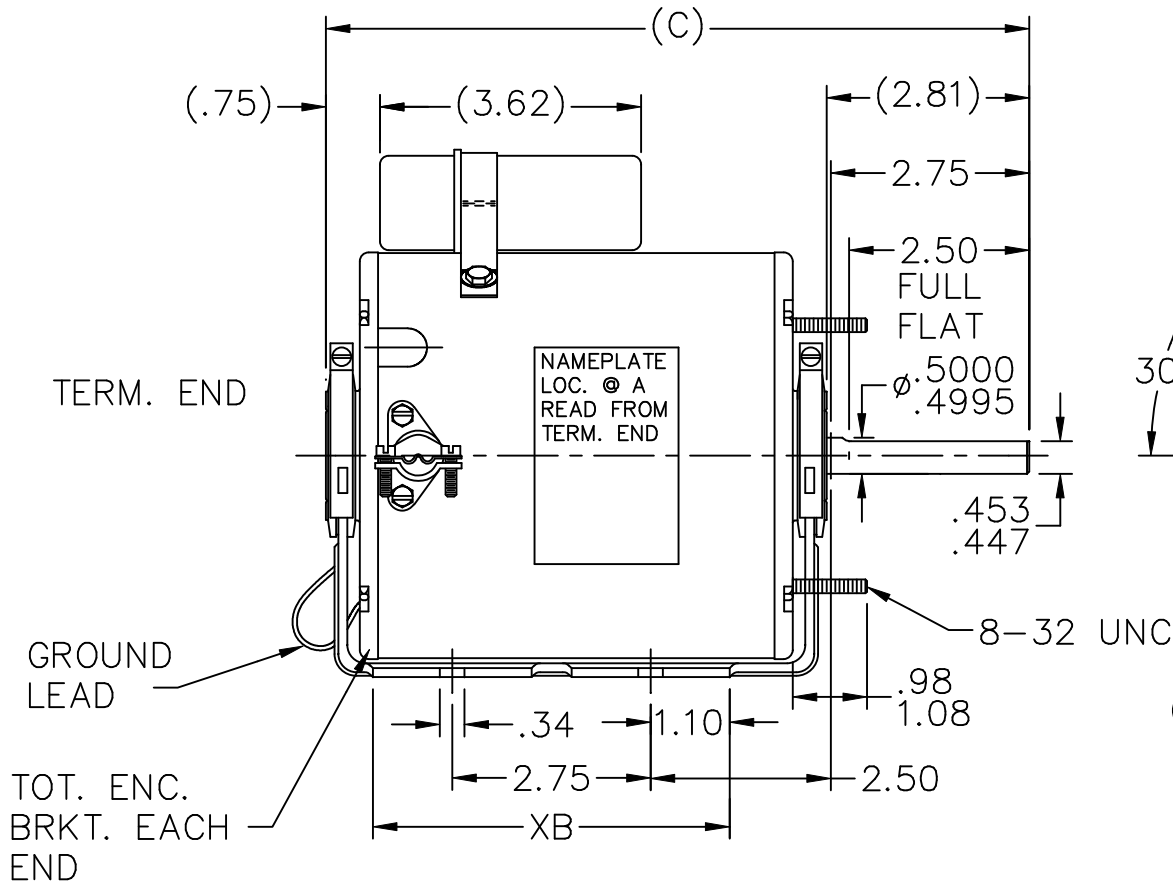
Nameplate Specifications

Output HP	0.33 Hp	Output KW	0.25 kW
Frequency	60 Hz	Voltage	115 V
Current	6.5 A	Speed	1075 rpm
Service Factor	1	Phase	1
Efficiency	70 %	Duty	Continuous
Insulation Class	B	Design Code	NO DESIGN CODE
KVA Code	F	Frame	48Z
Enclosure	Totally Enclosed Air Over	Overload Protector	Auto Lock Rotor Only
Ambient Temperature	40 °C	Drive End Bearing Size	6203
Opp Drive End Bearing Size	6203	UL	Recognized
CSA	Y	CE	N
IP Code	43		

Technical Specifications

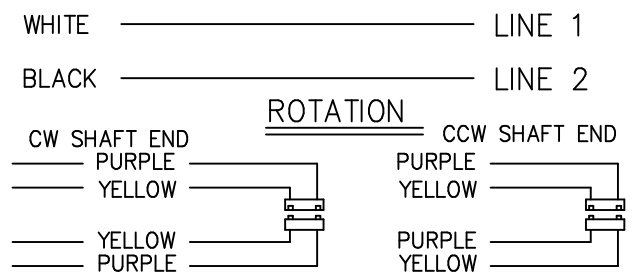
Electrical Type	Permanent Split Capacitor	Starting Method	Across The Line
Poles	6	Rotation	Selective Counterclockwise
Mounting	Resilient Base - Extended Studs	Motor Orientation	Horizontal
Drive End Bearing	Ball	Opp Drive End Bearing	Ball
Frame Material	Rolled Steel	Shaft Type	Single Special Extension
Overall Length	9.75 in	Frame Length	5.50 in
Shaft Diameter	0.500 in	Shaft Extension	2.81 in
Assembly/Box Mounting	F1 Only		
Outline Drawing	A-SS403718-550	Connection Diagram	9513130

This is an uncontrolled document once printed or downloaded and is subject to change without notice. Date Created: 06/29/2018



DASH	C	XB
550	9.75	4.94

LEAD DESCRIPTION:
 1 BLACK AND 1 WHITE LEAD WITH .50 BARE WIRE STRIP EXIT MOTOR THROUGH CONDUIT CONNECTOR WITH ADJUSTABLE THROAT OPENING. 35.00" - 37.00" LONG. PURPLE AND YELLOW REVERSING LEADS MOLDED INTO MATING PULL-APART PLUGS. 4.00-6.00" LONG.



NO.	REVISION	BY & DATE	CHK	TOLERANCES UNLESS SPECIFIED	
				DEC.	INCHES
				.X	±.1
				.XX	±.03
				.XXX	±.005
				.XXXX	±.0005
				ANG	±7'30"

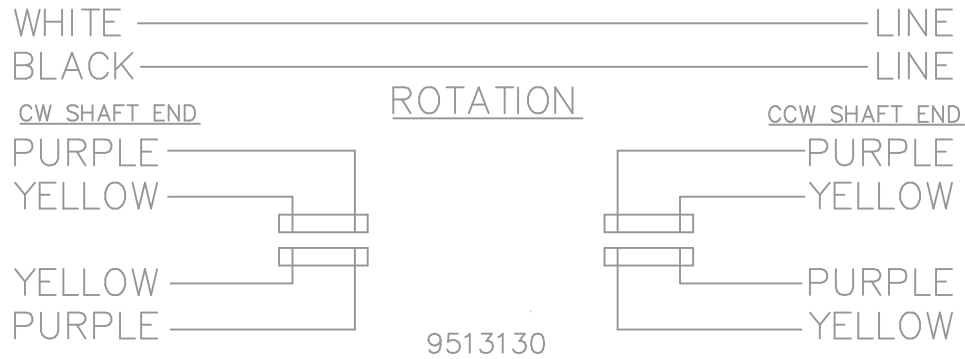


TITLE OUTLINE
 48 FRAME
 MAT'L.
 FINISH

DRAWN	GRB	05-15-2008
CHK	SP	05-15-2008
APPD	SP	05-15-2008
SCALE	3=8	
REF	SS74134	
FMF		
PREV		

THIS DRAWING IN DESIGN AND DETAIL IS OUR PROPERTY AND MUST NOT BE USED EXCEPT IN CONNECTION WITH OUR WORK ALL RIGHTS OF DESIGN AND INVENTION ARE RESERVED THIS IS AN ELECTRONICALLY GENERATED DOCUMENT - DO NOT SCALE THIS PRINT

RFP	05-15-2008	CAD FILE	ss403718	SIZE	A	DRAWING NO.	SS403718	PAGE	OF	REV.
DIST	WP									



				TOLERANCES UNLESS SPECIFIED			DRAWN TOM 09/19/1988		
				DEC.	INCHES		CHK		
				.X	±.1		APPD MS 09/20/1988		
				.XX	±.02		SCALE 1=1		
3	REDRAWN IN AUTOCAD	JMS 03/11/2005		.XXX	±.005	TITLE CONNETION DIAGRAM		REF	
2	NEW DRAWING	TOM 09/19/1988		.XXXX	±.0005	MAT'L.		FMF	
NO.	REVISION	BY & DATE	CHK	ANG	±7'30"	FINISH		PREV	
THIS DRAWING IN DESIGN AND DETAIL IS OUR PROPERTY AND MUST NOT BE USED EXCEPT IN CONNECTION WITH OUR WORK ALL RIGHTS OF DESIGN AND INVENTION ARE RESERVED THIS IS AN ELECTRONICALLY GENERATED DOCUMENT - DO NOT SCALE THIS PRINT				RFP	CAD FILE 9513130		SIZE	DRAWING NO. PAGE OF	REV.
				DIST WP			A	9513130	

** Subject to change without notice.