

# PRODUCT INFORMATION PACKET

Model No: 048A11T2023  
Catalog No: X029  
1/2,1075,TENV,48Y,1/60/115/230  
Single Phase



Regal and Marathon are trademarks of Regal Beloit Corporation or one of its affiliated companies.  
©2018 Regal Beloit Corporation, All Rights Reserved. MC017097E





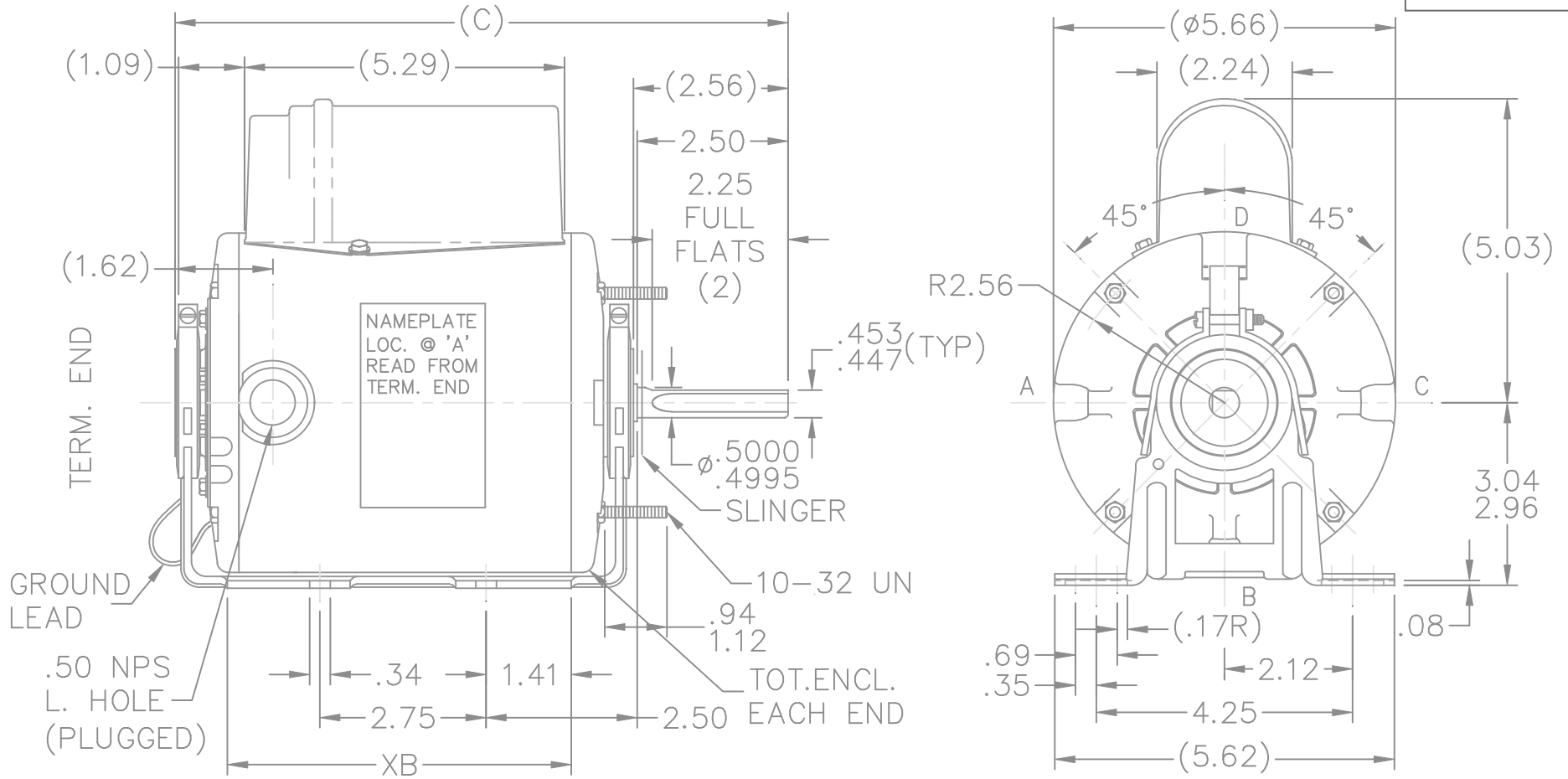
### Nameplate Specifications

Output HP	<b>0.50 Hp</b>	Output KW	<b>0.37 kW</b>
Frequency	<b>60 Hz</b>	Voltage	<b>115/230 V</b>
Current	<b>6.4/3.2 A</b>	Speed	<b>1075 rpm</b>
Service Factor	<b>1</b>	Phase	<b>1</b>
Efficiency	<b>68.3 %</b>	Duty	<b>Continuous</b>
Insulation Class	<b>B</b>	Design Code	<b>NO DESIGN CODE</b>
KVA Code	<b>D</b>	Frame	<b>48Y</b>
Enclosure	<b>Totally Enclosed Air Over</b>	Overload Protector	<b>Auto Lock Rotor Only</b>
Ambient Temperature	<b>40 °C</b>	Drive End Bearing Size	<b>6203</b>
Opp Drive End Bearing Size	<b>6203</b>	UL	<b>Recognized</b>
CSA	<b>Y</b>	CE	<b>N</b>
IP Code	<b>43</b>		

### Technical Specifications

Electrical Type	<b>Permanent Split Capacitor</b>	Starting Method	<b>Across The Line</b>
Poles	<b>6</b>	Rotation	<b>Selective Counterclockwise</b>
Mounting	<b>Resilient Base - Extended Studs</b>	Motor Orientation	<b>Horizontal</b>
Drive End Bearing	<b>Ball</b>	Opp Drive End Bearing	<b>Ball</b>
Frame Material	<b>Rolled Steel</b>	Shaft Type	<b>Single Special Extension</b>
Overall Length	<b>10.84 in</b>	Frame Length	<b>6.25 in</b>
Shaft Diameter	<b>0.500 in</b>	Shaft Extension	<b>2.56 in</b>
Assembly/Box Mounting	<b>F1 Only</b>		
Outline Drawing	<b>A-SS75967-625</b>	Connection Diagram	<b>A-EE9057AH</b>

This is an uncontrolled document once printed or downloaded and is subject to change without notice. Date Created: 06/29/2018



DASH	FR	XB	C
550	48	5.69	10.09
625	48	6.44	10.84

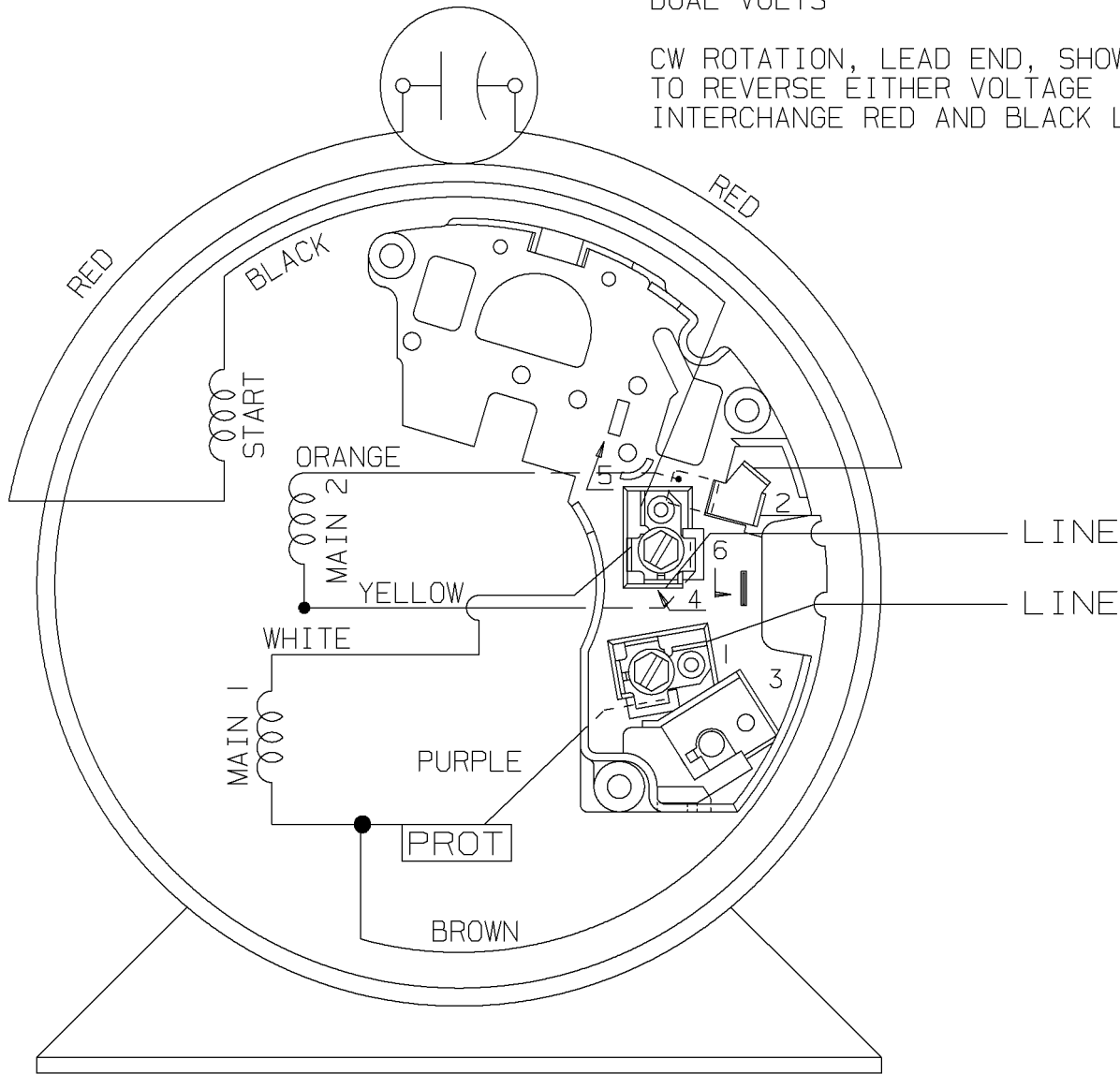
TOTALLY ENCLOSED MOTOR  
FULLY GASKETED

				TOLERANCES UNLESS SPECIFIED		MARATHON ELECTRIC	DRAWN DD 01-14-1994				
				DEC.	INCHES		CHK ML 01-17-1994	APPD SHT 01-17-1994			
3	UPDATED DRAWING	TJW	04/23/2007	.X	±.1	TITLE OUTLINE	SCALE 3=8				
2	REDRAWN IN AUTOCAD	TAT	05-09-2005	ML	.XXX ±.005		REF				
1	NEW DRAWING 4109227	DD	01-21-1994	.XXXX	±.0005		MAT'L	FMF			
NO.	REVISION	BY & DATE	CHK	ANG	±7'30"	FINISH	PREV				
THIS DRAWING IN DESIGN AND DETAIL IS OUR PROPERTY AND MUST NOT BE USED EXCEPT IN CONNECTION WITH OUR WORK ALL RIGHTS OF DESIGN AND INVENTION ARE RESERVED THIS IS AN ELECTRONICALLY GENERATED DOCUMENT - DO NOT SCALE THIS PRINT				RFP		CAD FILE ss75967	SIZE A	DRAWING NO. SS75967	PAGE	OF	REV. 3
				DIST	WP						

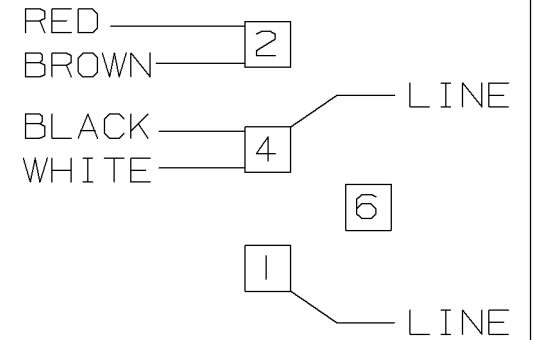
DUAL VOLTS

A- EE9057AH

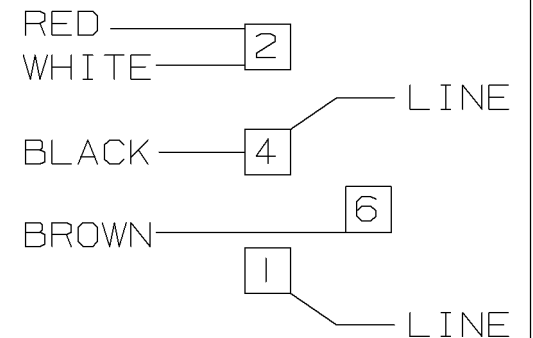
CW ROTATION, LEAD END, SHOWN  
TO REVERSE EITHER VOLTAGE  
INTERCHANGE RED AND BLACK LEADS.



LOW VOLTAGE



HIGH VOLTAGE



VIEW OF TERMINAL END

				✓ MAX. SURFACE ROUGHNESS UNLESS NOTED OTHERWISE	UNLESS OTHERWISE SPECIFIED DIMENSIONS ARE IN INCHES TOL. ON XX±    XXX±.005    XXXX±.0005    ANGLES±			
				MATL SPEC				DRAWN BY MH 04-03-1998
				FINISH				CHKD BY ML 04-06-1998
1	04-17-1998	NEW DRAWING		MH	WAUSAU, WISCONSIN 54401			APPD BY TOM 04-27-1998
REV	DATE	CHANGE		NAME	PART NAME CONNECTION DIAGRAM			DRWG NO A- EE9057AH

SHOP BOOK

PURCHASED

DISTRIBUTION - WA - LB - WP - LM - BR

CADD FILE NO.

EE9057AH

CERTIFICATION DATA SHEET

Model#: 48A11T2023 D WINDING#: PE4861752 NONE 3  
 CONN. DIAGRAM: A-EE9057AH ASSEMBLY: F1 ONLY  
 OUTLINE: A-SS75967-625

TYPICAL MOTOR PERFORMANCE DATA

HP	KW	SYNC. RPM	F.L. RPM	FRAME	ENCLOSURE	KVA CODE	DESIGN
1/2	.37	1200	1075	48Y	TEAO	D	NO DESIGN CODE

PH	Hz	VOLTS	FL AMPS	START TYPE	DUTY	INSL	S.F	AMB°C	ELEVATION
1	60	115/230	6.4/3.2	ACROSS THE LINE	CONTINUOUS	B3	1.0	40	3300

FULL LOAD EFF: 68.3	3/4 LOAD EFF: -	1/2 LOAD EFF: -	GTD. EFF	ELEC. TYPE	NO LOAD AMPS
			-	PSC 1 SPEED	3.5 / 1.8

F.L. TORQUE	LOCKED ROTOR AMPS	L.R. TORQUE	B.D. TORQUE	F.L. RISE°C
37.3 LB-FT	19.8 / 9.9	10.5 LB-FT -	65.9 LB-FT -	-

SOUND PRESSURE @ 3 FT.	SOUND POWER	ROTOR WK^2	MAX. WK^2	SAFE STALL TIME	STARTS /HOUR	APPROX. MOTOR WGT
- dBA	- dBA	- LB-FT^2	- LB-FT^2	- SEC.	-	- LBS.

\*\*\* SUPPLEMENTAL INFORMATION \*\*\*

DE BRACKET TYPE	ODE BRACKET TYPE	MOUNT TYPE	ORIENTATION	SEVERE DUTY	HAZARDOUS LOCATION	DRIP COVER	SCREENS	PAINT
STANDARD	STANDARD	RESILIENT BASE- EXTENDED STUDS	HORIZONTAL	FALSE	NONE	FALSE	NONE	GRAY (POWDER)

BEARINGS		GREASE	SHAFT TYPE	SPECIAL DE	SPECIAL ODE	SHAFT MATERIAL	FRAME MATERIAL
DE	OPE						
BALL	BALL	MULTEMP SRL	SGL SPL EXT	0.500 x 2.50 IN SEF WITH 2.25 IN DOUBLE FULL FLAT	NONE	1144 STRESSPROOF (C-223)	ROLLED STEEL
6203	6203						

THERMO-PROTECTORS				THERMISTORS	CONTROL	SPACE /n HEATERS
THERMOSTATS	PROTECTORS	WDG RTDs	BRG RTDs			
NONE	AUT LCK RTR ONLY	NONE	NONE	NONE	FALSE	NONE VOLTS

If Inverter equals NONE, contact factory for further information

INVERTER TORQUE: NONE
INV. HP SPEED RANGE: NONE
ENCODER: NONE
NONE NONE
NONE NONE PPR
BRAKE: NONE NONE
NONE P/N NONE
NONE NONE
NONE FT-LB NONE V NONE Hz

\*  
N  
O  
T  
E  
S  
\*

FORM 3531 REV.3 02/07/99

\*\* Subject to change without notice.