

PRODUCT INFORMATION PACKET

Model No: 048A11T2026
Catalog No: X925
1/2,1140,TENV,48Y,1/60/115
Pedestal Fan



Regal and Marathon are trademarks of Regal Beloit Corporation or one of its affiliated companies.

©2018 Regal Beloit Corporation, All Rights Reserved. MC017097E

Nameplate Specifications

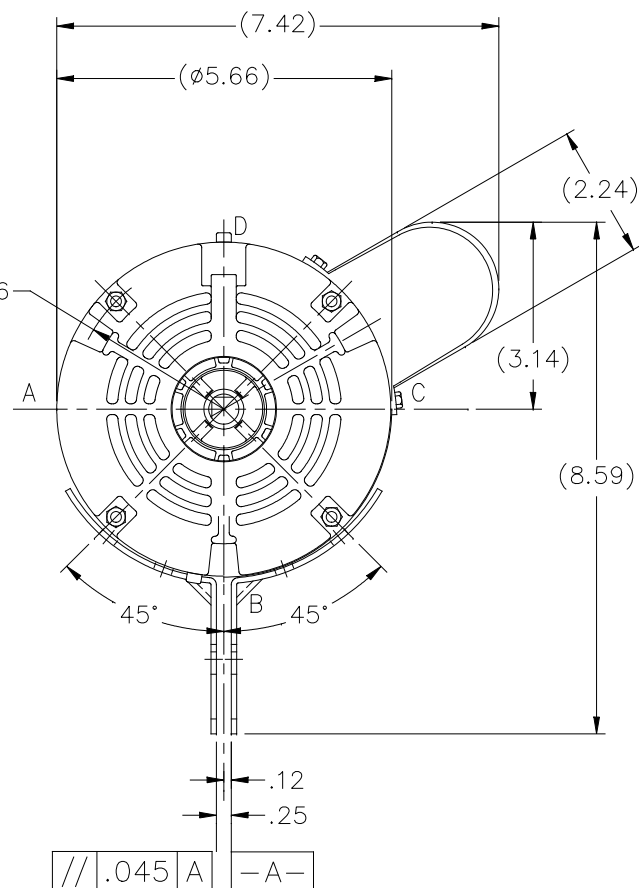
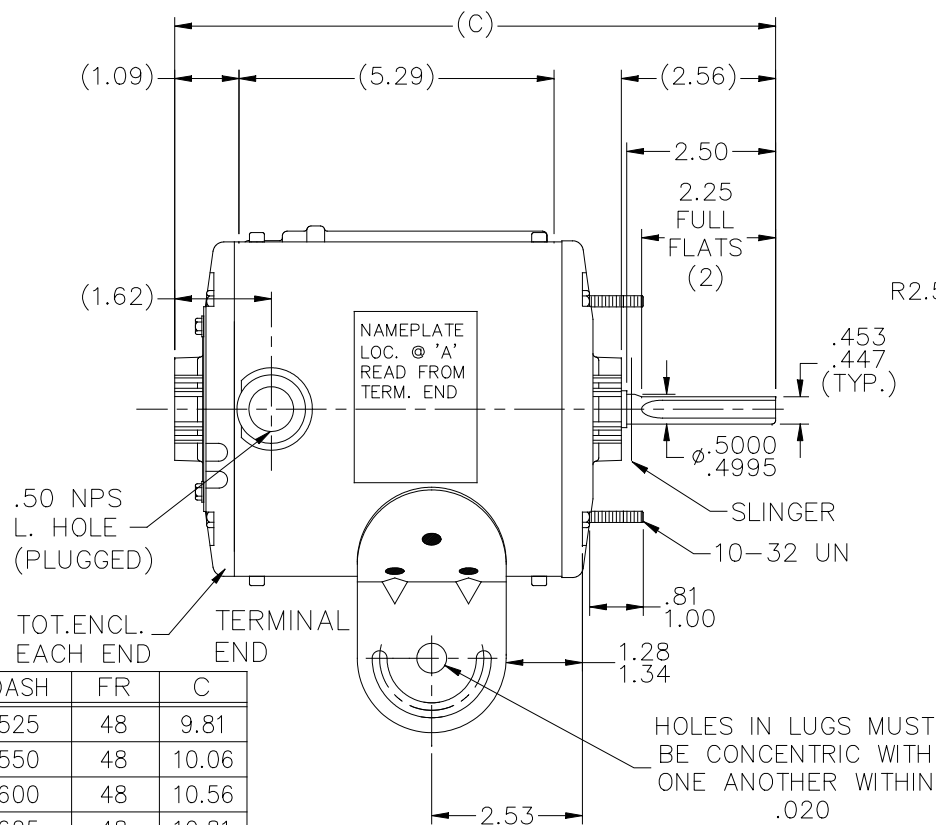
Output HP	0.50 Hp	Output KW	0.37 kW
Frequency	60 Hz	Voltage	115 V
Current	5.7 A	Speed	1075 rpm
Service Factor	1	Phase	1
Efficiency	64 %	Duty	Continuous
Insulation Class	B	Design Code	NO DESIGN CODE
KVA Code	C	Frame	48Z
Enclosure	Totally Enclosed Air Over	Overload Protector	Automatic Lock Rotor Only
Ambient Temperature	40 °C	Drive End Bearing Size	6203
Opp Drive End Bearing Size	6203	UL	Recognized
CSA	Y	CE	N
IP Code	43		

Technical Specifications

Electrical Type	Permanent Split Capacitor	Starting Method	Across The Line
Poles	6	Rotation	Selective Counterclockwise
Mounting	Round - Swing Arm	Motor Orientation	Horizontal
Drive End Bearing	Ball	Opp Drive End Bearing	Ball
Frame Material	Rolled Steel	Shaft Type	Single Special Extension
Overall Length	10.81 in	Frame Length	6.25 in
Shaft Diameter	0.500 in	Shaft Extension	2.56 in
Assembly/Box Mounting	F1 Only		
Outline Drawing	A-SS403014-625	Connection Diagram	A-EE9022PD

This is an uncontrolled document once printed or downloaded and is subject to change without notice. Date Created: 10/08/2018

SS403014



TOTALLY ENCLOSED MOTOR FULLY GASKETED

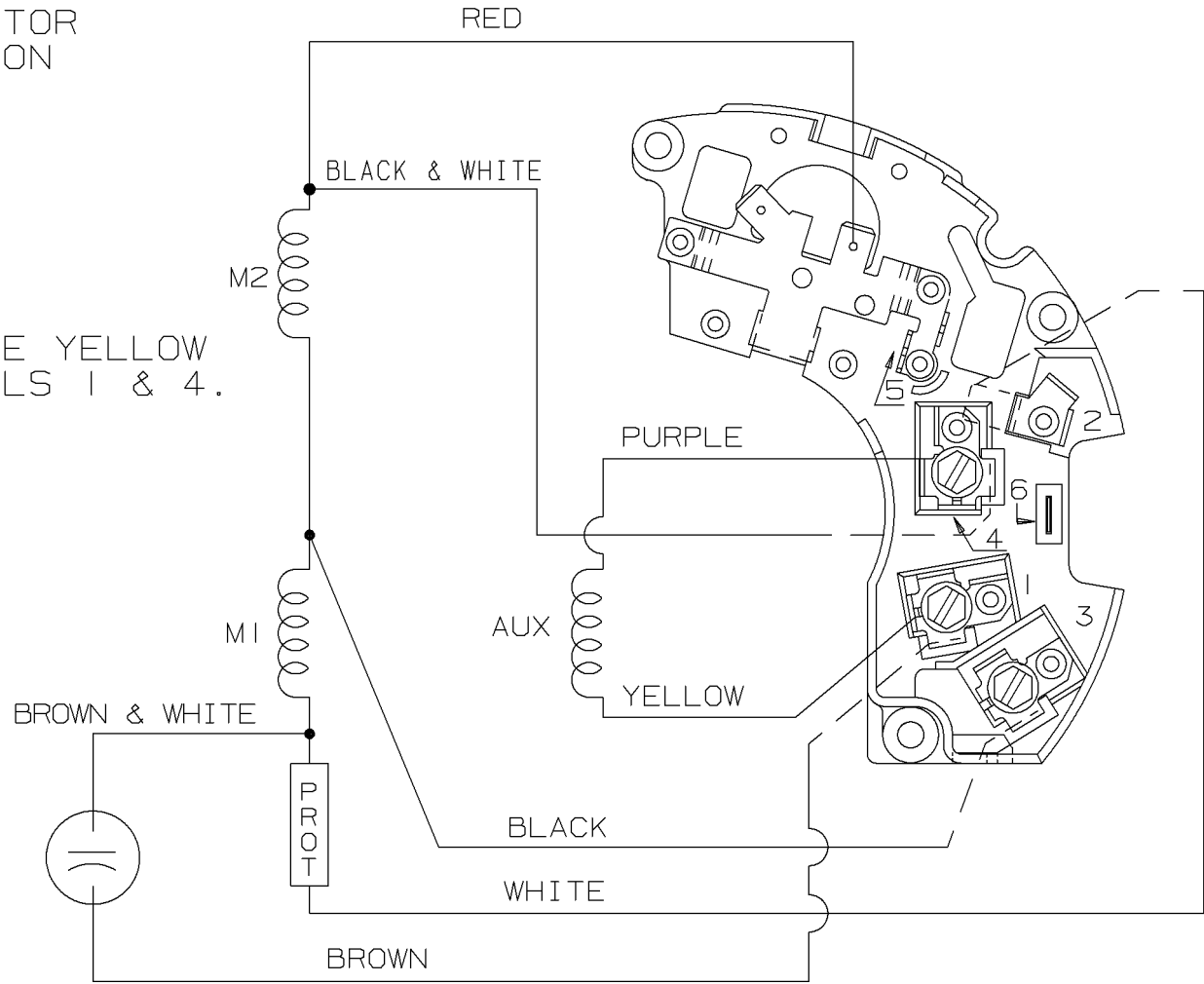
DASH	FR	C
525	48	9.81
550	48	10.06
600	48	10.56
625	48	10.81
650	48	11.06
675	48	11.31
575	48	10.31

NO.	REVISION	BY & DATE	CHK	ANG	TOLERANCES UNLESS SPECIFIED		REGAL™ Regal Beloit America, Inc.	DRAWN BJV 11-22-1999					
					DEC.	INCHES							
4	ADDED DASH 575	MVG 02/21/18	SM	.X	±.1			CHK ML 11-23-1999					
3	REDRAWN IN AUTOCAD	TAT 10-15-2004	ML	.XX	±.03			APPD SAT 11-24-1999					
2	ROT. CAP. 60° & ADD'D DRAIN HOLE PLUGS MU27937	NJS 11-03-2000		.XXX	±.005		TITLE OUTLINE 48 FR.	SCALE 3=8					
1	NEW DRAWING MU27937	BJW 11-24-1999		.XXXX	±.0005		MAT'L.	REF					
					±'30"		FINISH	FMF					
								PREV					
THIS DRAWING IN DESIGN AND DETAIL IS OUR PROPERTY AND MUST NOT BE USED EXCEPT IN CONNECTION WITH OUR WORK ALL RIGHTS OF DESIGN AND INVENTION ARE RESERVED THIS IS AN ELECTRONICALLY GENERATED DOCUMENT - DO NOT SCALE THIS PRINT							RFP	CAD FILE ss403014	SIZE A	DRAWING NO. SS403014	PAGE 3	OF 4	REV. 4
							DIST WP						

SINGLE VOLTAGE-TWO SPEED
PERMANENT SPLIT CAPACITOR
WITH OVERLOAD PROTECTION

CCW ROTATION SHOWN
TO REVERSE, INTERCHANGE YELLOW
WITH PURPLE ON TERMINALS 1 & 4.

- LOW SPEED
- ⑤ ——— LINE 2
 - ② ——— LINE 1
 - ④ ——— PURPLE
 - ① ——— YELLOW
 - ③
- HIGH SPEED
- ⑤
 - LINE 1 ——— ②
 - PURPLE ——— ④
 - YELLOW ——— ①
 - LINE 2 ——— ③



				✓ MAX. SURFACE ROUGHNESS UNLESS NOTED OTHERWISE	UNLESS OTHERWISE SPECIFIED DIMENSIONS ARE IN INCHES TOL. ON XX± .02 XXX± .005 XXXX± .0005 ANGLES± 7"30"		
				MATL SPEC			DRAWN BY DRS 01-11-2001
				FINISH			CHKD BY ML 01-23-2001
1	01-23-2001	NEW DRAWING	MU3539 I	DRS	REFERENCE DRW.	WAUSAU, WISCONSIN 54401	APPD BY TOM 01-23-2001
REV	DATE	CHANGE	NAME	PART NAME CONNECTION DIAGRAM			DRWG NO A- EE9022PD

SHOP BOOK

PURCHASED

DISTRIBUTION - WA - LB - WP - LM - BR

CADD FILE NO.

EE9022PD

```
ERROR: syntaxerror  
OFFENDING COMMAND: --nostringval--
```

```
STACK:
```

```
 /im  
-savelevel-
```

CERTIFICATION DATA SHEET

Model#: 48A11T2026 A WINDING#: PE4861981 NONE 1
CONN. DIAGRAM: A-EE9022PD ASSEMBLY: F1 ONLY
OUTLINE: A-SS403014-625

TYPICAL MOTOR PERFORMANCE DATA

HP	KW	SYNC. RPM	F.L. RPM	FRAME	ENCLOSURE	KVA CODE	DESIGN
1/2	.37	1200	1075	48Z	TEAO	C	NO DESIGN CODE

PH	Hz	VOLTS	FL AMPS	START TYPE	DUTY	INSL	S.F	AMB°C	ELEVATION
1	60	115	5.7	ACROSS THE LINE	CONTINUOUS	B3	1.0	40	3300

FULL LOAD EFF: 64	3/4 LOAD EFF: -	1/2 LOAD EFF: -	GTD. EFF	ELEC. TYPE	NO LOAD AMPS
FULL LOAD PF: 94.5	3/4 LOAD PF: -	1/2 LOAD PF: -	0	PSC 1 SPEED	.9

F.L. TORQUE	LOCKED ROTOR AMPS	L.R. TORQUE	B.D. TORQUE	F.L. RISE°C
18.8 LB-FT	8.2	9.3 LB-FT 0	32.2 LB-FT 0	0

SOUND PRESSURE @ 3 FT.	SOUND POWER	ROTOR WK^2	MAX. WK^2	SAFE STALL TIME	STARTS /HOUR	APPROX. MOTOR WGT
- dBA	- dBA	0 LB-FT^2	- LB-FT^2	- SEC.	-	0 LBS.

*** SUPPLEMENTAL INFORMATION ***

DE BRACKET TYPE	ODE BRACKET TYPE	MOUNT TYPE	ORIENTATION	SEVERE DUTY	HAZARDOUS LOCATION	DRIP COVER	SCREENS	PAINT
STANDARD	STANDARD	ROUND-SWING ARM	HORIZONTAL	FALSE	NONE	FALSE	NONE	GRAY (POWDER)

BEARINGS		GREASE	SHAFT TYPE	SPECIAL DE	SPECIAL ODE	SHAFT MATERIAL	FRAME MATERIAL
DE	OPE						
BALL	BALL	MULTEMP SRL	SGL SPL EXT	0.500 x 2.50 IN SEF WITH 2.25 IN DOUBLE FULL FLAT	NONE	1144 STRESSPROOF (C-223)	ROLLED STEEL
6203	6203						

THERMO-PROTECTORS				THERMISTORS	CONTROL	SPACE /n HEATERS
THERMOSTATS	PROTECTORS	WDG RTDs	BRG RTDs			
NONE	AUT LCK RTR ONLY	NONE	NONE	NONE	FALSE	NONE VOLTS

*
N
O
T
E
S
*

If Inverter equals NONE, contact factory for further information

INVERTER TORQUE: NONE
INV. HP SPEED RANGE: NONE
ENCODER: NONE
NONE NONE
NONE NONE PPR
BRAKE: NONE NONE
NONE P/N NONE
NONE NONE
NONE FT-LB NONE V NONE Hz

