

PRODUCT INFORMATION PACKET

Model No: 048A11T569
Catalog No: X412
1/4,1200,TEAO,48Y,1/60/208-230
Condenser Fans



Regal and Marathon are trademarks of Regal Beloit Corporation or one of its affiliated companies.
©2018 Regal Beloit Corporation, All Rights Reserved. MC017097E

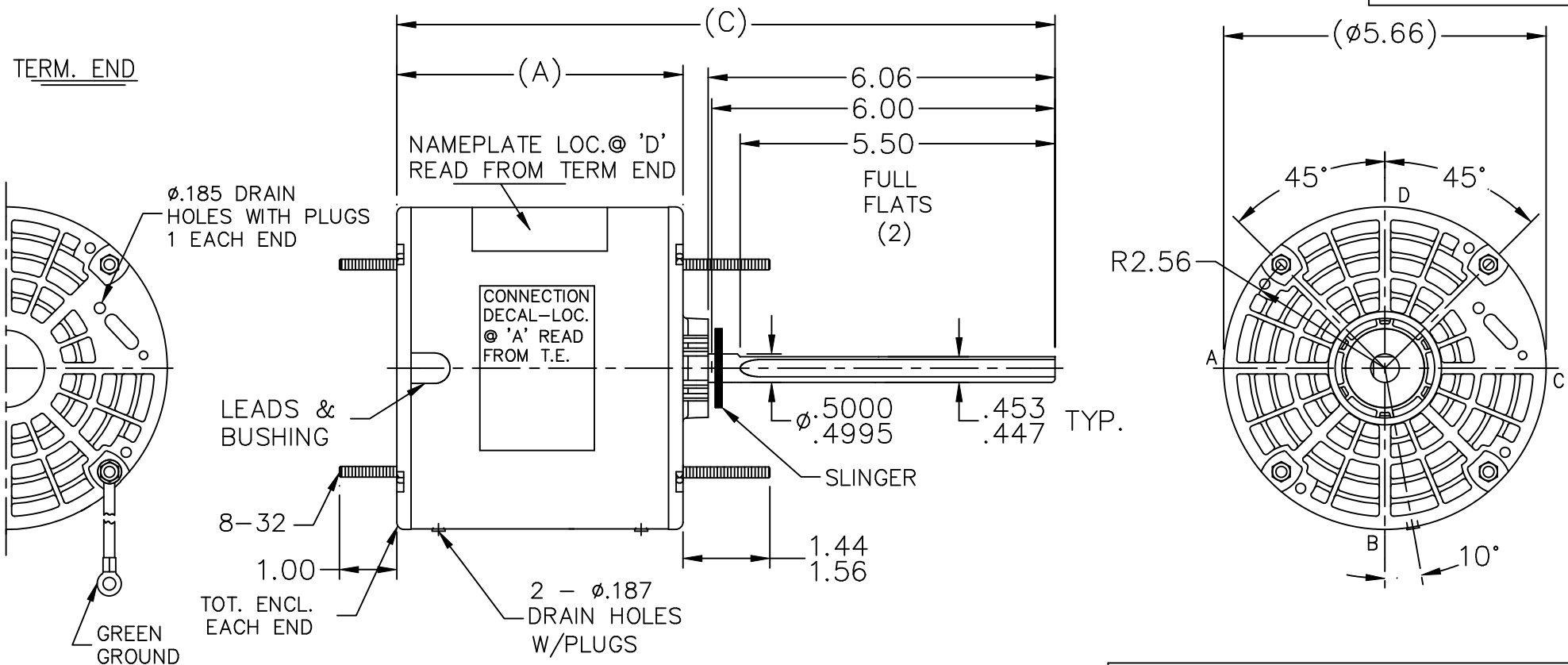
Nameplate Specifications

Output HP	0.25 Hp	Output KW	0.19 kW
Frequency	60 Hz	Voltage	208-230 V
Current	1.4 A	Speed	1075 rpm
Service Factor	1	Phase	1
Efficiency	68.5 %	Duty	Continuous
Insulation Class	B	Design Code	N
KVA Code	B	Frame	48Y
Enclosure	Totally Enclosed Air Over	Overload Protector	Automatic Lock Rotor Only
Ambient Temperature	60 °C	Drive End Bearing Size	6203
Opp Drive End Bearing Size	6203	UL	Recognized
CSA	Y	CE	N
IP Code	43		

Technical Specifications

Electrical Type	Permanent Split Capacitor	Starting Method	Across The Line
Poles	6	Rotation	Selective Counterclockwise
Mounting	Round - Extended Studs	Motor Orientation	Horizontal
Drive End Bearing	Ball	Opp Drive End Bearing	Ball
Frame Material	Rolled Steel	Shaft Type	Single Special Extension
Overall Length	10.75 in	Frame Length	3.75 in
Shaft Diameter	0.500 in	Shaft Extension	6.06 in
Assembly/Box Mounting	F1 Only		
Outline Drawing	A-SS403722-375	Connection Diagram	6906496

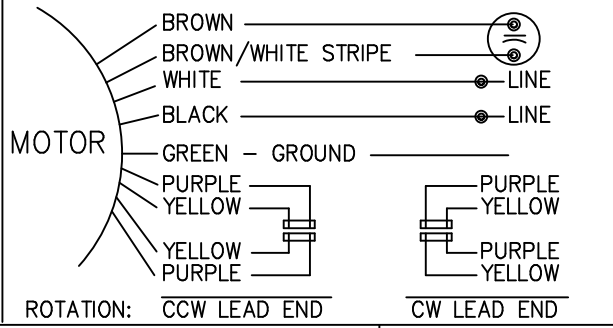
This is an uncontrolled document once printed or downloaded and is subject to change without notice. Date Created: 10/08/2018



DASH	FR	C	A
325	48Y	10.25	3.75
375	48Y	10.75	4.25
425	48Y	11.25	4.75
450	48Y	11.50	5.00
475	48Y	11.75	5.25

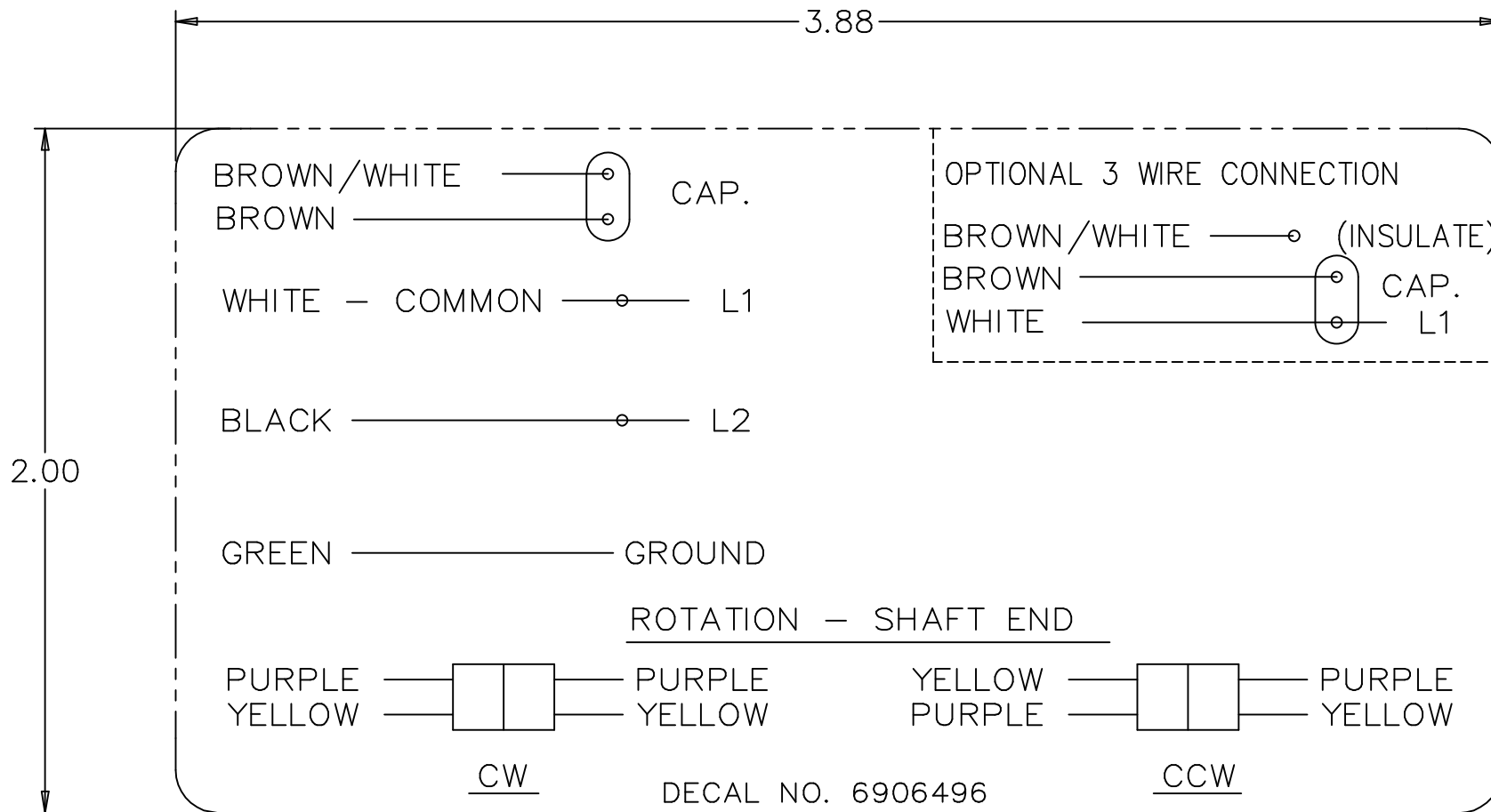
LEAD DESCRIPTION:

1 WHITE, 1BLACK, BARE WIRE STRIPPED .50, 36.00" LONG
 1 BROWN AND 1 BROWN WITH WHITE MARK WITH .25 FLAG TYPE
 QUICK CONNECT 36.00" LONG. BROWN LEAD WITH WHITE MARK
 IS COMMON TO WHITE.
 PURPLE AND YELLOW REVERSING LEADS ARE MOLDED INTO MATING
 PULL APART PLUGS 5.00" LONG.
 GREEN GROUND WITH TERM. FOR #10 SCREW 12.00" LONG.



				TOLERANCES UNLESS SPECIFIED		MARATHON ELECTRIC	DRAWN GRB 05-23-2008					
				DEC.	INCHES		CHK SP 05-23-2008					
				.X	±.1		APPD NB 05-23-2008					
				.XX	±.03		SCALE 3=8					
				.XXX	±.005		REF SS400181					
				.XXXX	±.0005	TITLE OUTLINE						
						MAT'L.						
NO.	REVISION	BY & DATE	CHK	ANG	±7'30"	FINISH						
				RFP	05-23-2008	CAD FILE	SS403722	SIZE	DRAWING NO.	PAGE	OF	REV.
				DIST	WP			A	SS403722			

THIS DRAWING IN DESIGN AND DETAIL IS OUR PROPERTY AND MUST NOT BE USED EXCEPT IN CONNECTION WITH OUR WORK ALL RIGHTS OF DESIGN AND INVENTION ARE RESERVED THIS IS AN ELECTRONICALLY GENERATED DOCUMENT - DO NOT SCALE THIS PRINT



NO.	REVISION	BY & DATE	CHK	TOLERANCES UNLESS SPECIFIED		FINISH	DRAWN MRB 04-16-1998				
				DEC.	INCHES						
4	ADDED DIM. TO DECAL	RDH 09/22/2003	ML	.X	±.1	REGAL-BELOIT <i>Motor Technologies</i>	CHK ML 04-22-1998				
3	REMOVED 'MARATHON ELECTRIC' CN 35106	DRS 05-01-2002	TOM	.XX	±.02		TITLE CONNECTION DECAL	APPD GK 04-22-1998			
2	PART NAME WAS CONNECTION DIAGRAM CN 25669	MRB 04-23-1998		.XXX	±.005			SCALE 1=1			
1	NEW DRAWING CN 25669	MRB 04-22-1998		.XXXX	±.0005		MAT'L.	REF			
				ANG	±7'30"		FMF				
THIS DRAWING IN DESIGN AND DETAIL IS OUR PROPERTY AND MUST NOT BE USED EXCEPT IN CONNECTION WITH OUR WORK ALL RIGHTS OF DESIGN AND INVENTION ARE RESERVED THIS IS AN ELECTRONICALLY GENERATED DOCUMENT - DO NOT SCALE THIS PRINT						RFP	CAD FILE 6906496	SIZE A	DRAWING NO. 6906496	PAGE OF	REV. 4
						DIST WP					

CERTIFICATION DATA SHEET

Model#: 48A11T569 F **WINDING#:** PE4861726 NONE 2
CONN. DIAGRAM: 6906496 **ASSEMBLY:** F1 ONLY
OUTLINE: A-SS403722-375

TYPICAL MOTOR PERFORMANCE DATA

HP	KW	SYNC. RPM	F.L. RPM	FRAME	ENCLOSURE	KVA CODE	DESIGN
1/4	0.19	1200	1075	48Y	TEAO	B	N

PH	Hz	VOLTS	FL AMPS	START TYPE	DUTY	INSL	S.F	AMB°C	ELEVATION
1	60	208-230	1.4	ACROSS THE LINE	CONTINUOUS	B3	1.0	60	3300

FULL LOAD EFF:	3/4 LOAD EFF: -	1/2 LOAD EFF: -	GTD. EFF	ELEC. TYPE	NO LOAD AMPS
68.5					
FULL LOAD PF: -	3/4 LOAD PF: -	1/2 LOAD PF: -	-	PSC 1 SPEED	.7

F.L. TORQUE	LOCKED ROTOR AMPS	L.R. TORQUE	B.D. TORQUE	F.L. RISE°C
18.6 LB-FT	3.7	6.79 LB-FT -	30.1 LB-FT -	-

SOUND PRESSURE @ 3 FT.	SOUND POWER	ROTOR WK^2	MAX. WK^2	SAFE STALL TIME	STARTS /HOUR	APPROX. MOTOR WGT
- dBA	- dBA	- LB-FT^2	- LB-FT^2	- SEC.	-	- LBS.

***** SUPPLEMENTAL INFORMATION *****

DE BRACKET TYPE	ODE BRACKET TYPE	MOUNT TYPE	ORIENTATION	SEVERE DUTY	HAZARDOUS LOCATION	DRIP COVER	SCREENS	PAINT
STANDARD	STANDARD	ROUND-EXTENDED STUDS	HORIZONTAL	FALSE	NONE	FALSE	NONE	GRAY (POWDER)

BEARINGS		GREASE	SHAFT TYPE	SPECIAL DE	SPECIAL ODE	SHAFT MATERIAL	FRAME MATERIAL
DE	OPE						
BALL	BALL	BEACON 325	SGL SPL EXT	0.500 x 6.00 IN SEF WITH 5.50 IN DOUBLE FULL FLAT	NONE	1144 STRESSPROOF (C-223)	ROLLED STEEL
6203	6203						

THERMO-PROTECTORS				THERMISTORS	CONTROL	SPACE /n HEATERS
THERMOSTATS	PROTECTORS	WDG RTDs	BRG RTDs			
NONE	AUT LCK RTR ONLY	NONE	NONE	NONE	FALSE	NONE VOLTS

If Inverter equals NONE, contact factory for further information

INVERTER TORQUE: NONE
INV. HP SPEED RANGE: NONE
ENCODER: NONE
NONE NONE
NONE NONE PPR
BRAKE: NONE NONE
NONE P/N NONE
NONE NONE
NONE FT-LB NONE V NONE Hz

*
N
O
T
E
S
*

