

PRODUCT INFORMATION PACKET

Model No: 048A17O169
Catalog No: X420
1/4, 1625, OPEN, 48Y, 1/60/460
Condenser Fans



Regal and Marathon are trademarks of Regal Beloit Corporation or one of its affiliated companies.
©2018 Regal Beloit Corporation, All Rights Reserved. MC017097E



Nameplate Specifications

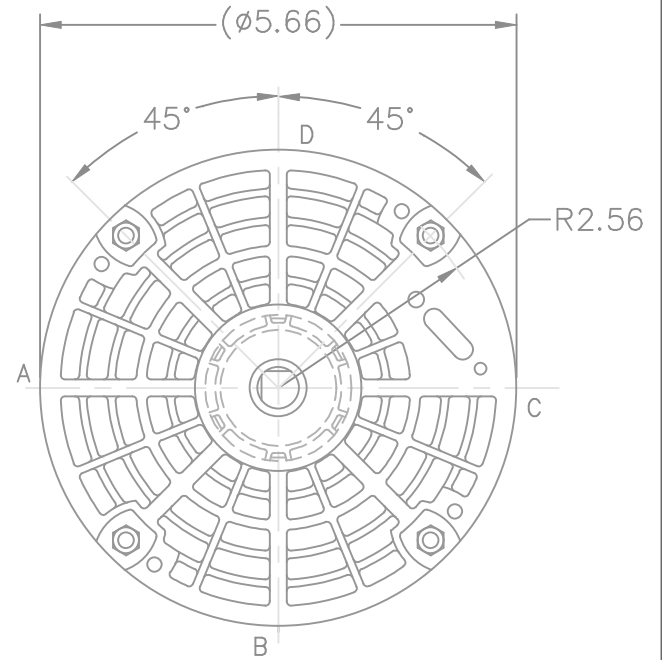
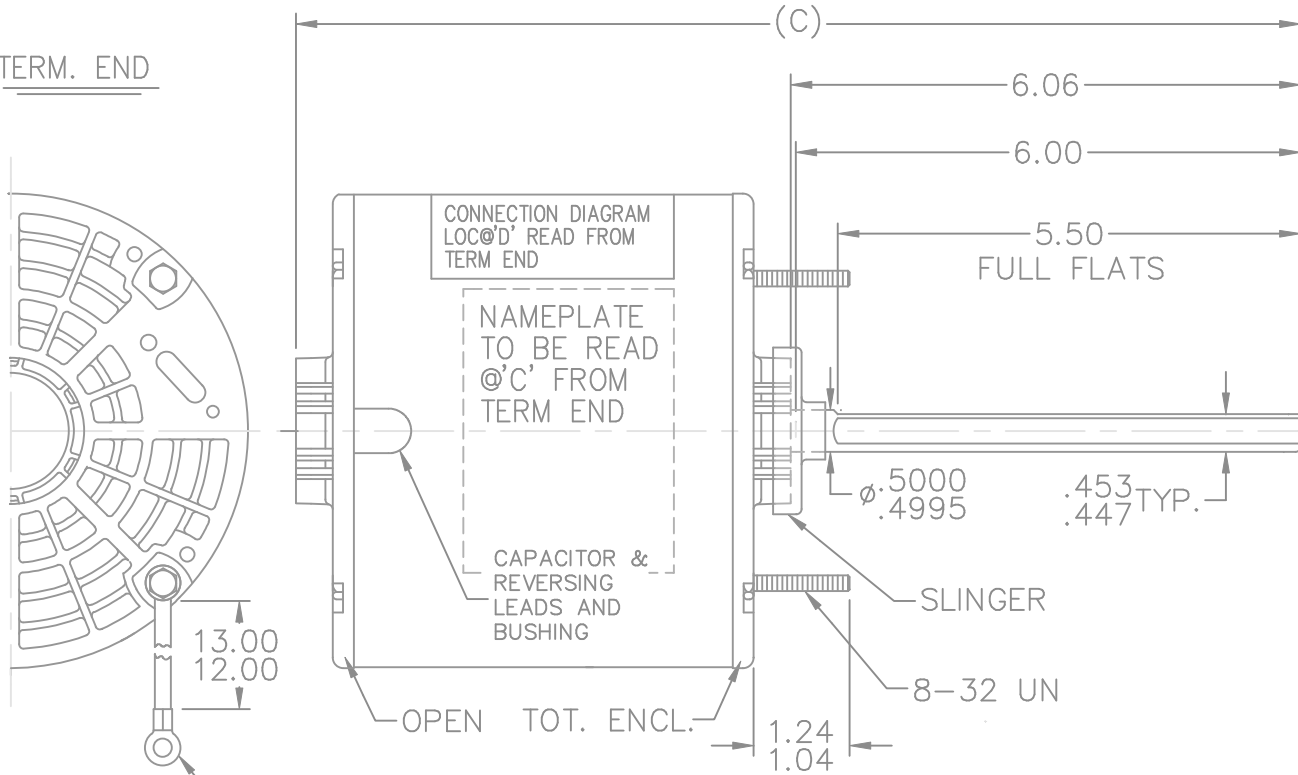
Output HP	0.25 Hp	Output KW	0.19 kW
Frequency	60 Hz	Voltage	460 V
Current	1.0 A	Speed	1625 rpm
Service Factor	1	Phase	1
Efficiency	58 %	Duty	Continuous
Insulation Class	B	Design Code	NO DESIGN CODE
KVA Code	D	Frame	48Y
Enclosure	Open Air Over	Overload Protector	Automatic Lock Rotor Only
Ambient Temperature	40 °C	Drive End Bearing Size	6203
Opp Drive End Bearing Size	6203	UL	Recognized
CSA	Y	CE	N
IP Code	01		

Technical Specifications

Electrical Type	Permanent Split Capacitor	Starting Method	Across The Line
Poles	4	Rotation	Selective Counterclockwise
Mounting	Round - Extended Studs	Motor Orientation	Horizontal
Drive End Bearing	Ball	Opp Drive End Bearing	Ball
Frame Material	Rolled Steel	Shaft Type	Single Special Extension
Overall Length	10.94 in	Frame Length	3.50 in
Shaft Diameter	0.500 in	Shaft Extension	6.06 in
Assembly/Box Mounting	F1 Only		
Outline Drawing	A-SS73949-350	Connection Diagram	6906496

This is an uncontrolled document once printed or downloaded and is subject to change without notice. Date Created: 10/08/2018

TERM. END

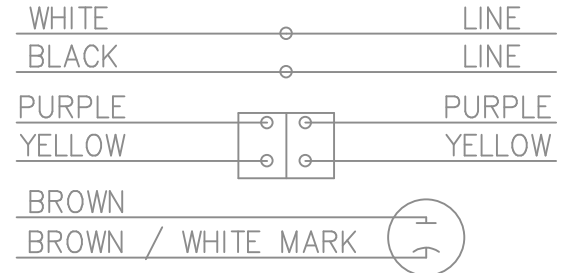


1 GREEN GRD.
W/TERM FOR
#10 SCREW

LEAD DESCRIPTION:
1 WHITE & 1 BLACK WITH .50 BARE
WIRE STRIP 30.00" LONG.

2 BROWN CAPACITOR LEADS W/.25
FLAG TYPE QUICK CONNECTS 30.00" LONG
BROWN W/WHITE MARK IS COMMON TO WHITE LEAD

REVERSING LEADS ARE MOLDED INTO MATING PULL
APART PLUGS. ONE PURPLE AND ONE YELLOW PER
PLUG. 5.0 LONG



ROTATION: CW-SHAFT END SHOWN.
TO REVERSE, CONNECT PURPLE TO
YELLOW AND YELLOW TO PURPLE

DASH	FRAME	C
350	48Y	10.94
400	48Y	11.44
450	48Y	11.94
500	48Y	12.44
525	48Y	12.69

TOLERANCES
UNLESS SPECIFIED



DRAWN MRB 09-13-1995

NO.	REVISION	BY & DATE	CHK	ANG
5	UPDATED DRAWING	TJW 04/02/2007	.X	±.1
4	REDRAWN IN AUTOCAD	TAT 07-22-2004	ML	.XX ±.03
3	REMOVED CONDUIT BOX, LEADS WERE 36.00-39.00 LONG. - REDRAWN ON CADD CN 21154	MRB 09-14-1995		.XXX ±.005
				.XXXX ±.0005

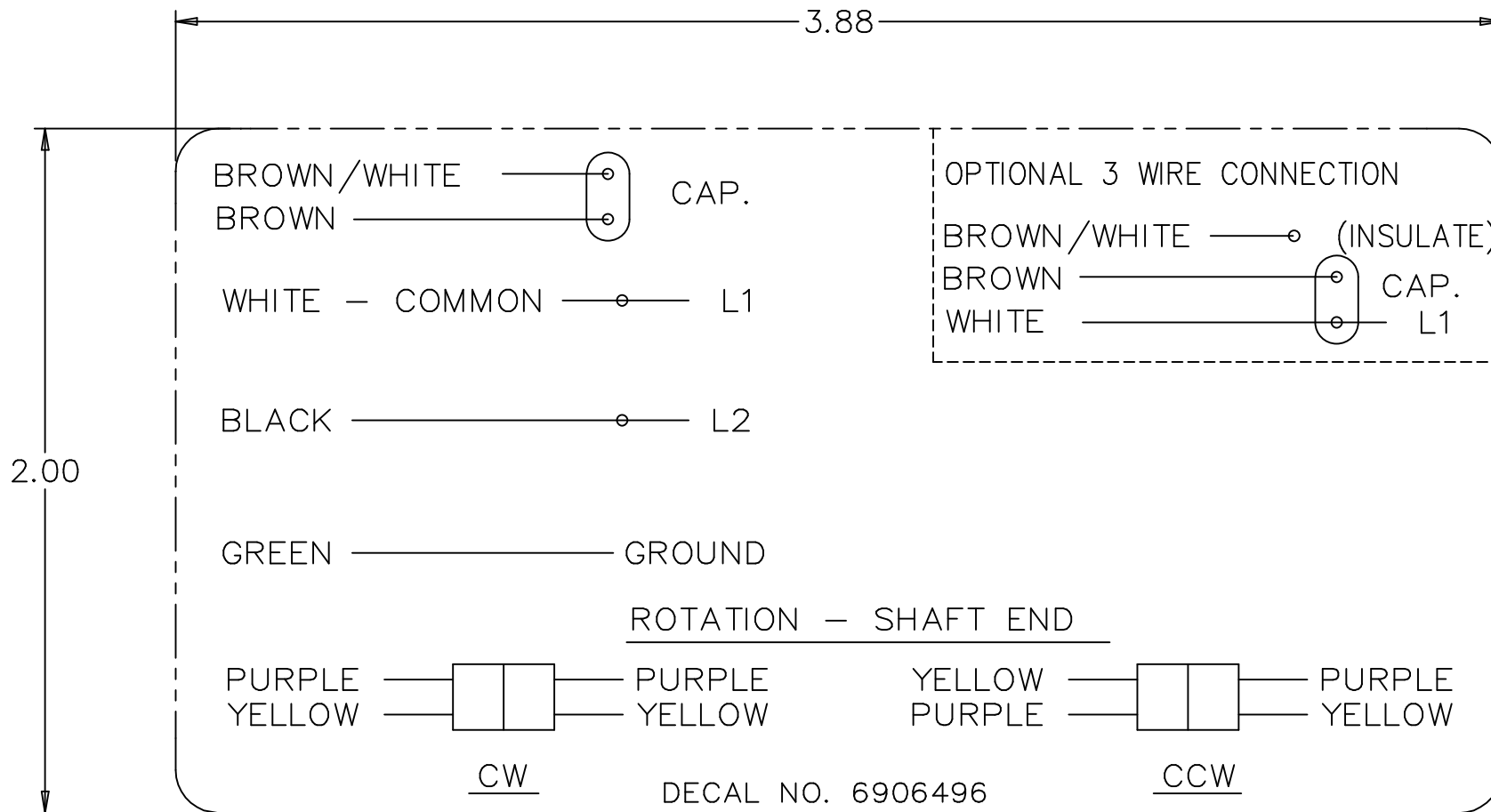
DEC.	INCHES
.X	±.1
.XX	±.03
.XXX	±.005
.XXXX	±.0005
ANG	±7'30"

TITLE OUTLINE 48Y FR.
MAT'L.
FINISH

CHK	DA 09-14-1995
APPD	GK 09-14-1995
SCALE	7=16
REF	
FMF	
PREV	

THIS DRAWING IN DESIGN AND DETAIL IS OUR PROPERTY AND MUST NOT BE USED EXCEPT
IN CONNECTION WITH OUR WORK ALL RIGHTS OF DESIGN AND INVENTION ARE RESERVED
THIS IS AN ELECTRONICALLY GENERATED DOCUMENT - DO NOT SCALE THIS PRINT

RFP	CAD FILE ss73949	SIZE	DRAWING NO.	PAGE	OF	REV.
DIST	WP	A	SS73949			5



NO.	REVISION	BY & DATE	CHK	TOLERANCES UNLESS SPECIFIED		FINISH	DRAWN MRB 04-16-1998			
				DEC.	INCHES					
4	ADDED DIM. TO DECAL	RDH 09/22/2003	ML	.X	±.1	REGAL-BELOIT <i>Motor Technologies</i> TITLE CONNECTION DECAL	CHK ML 04-22-1998			
3	REMOVED 'MARATHON ELECTRIC' CN 35106	DRS 05-01-2002	TOM	.XX	±.02		APPD GK 04-22-1998			
2	PART NAME WAS CONNECTION DIAGRAM CN 25669	MRB 04-23-1998		.XXX	±.005		SCALE 1=1			
1	NEW DRAWING CN 25669	MRB 04-22-1998		.XXXX	±.0005		REF			
						MAT'L.	FMF			
						PREV				
THIS DRAWING IN DESIGN AND DETAIL IS OUR PROPERTY AND MUST NOT BE USED EXCEPT IN CONNECTION WITH OUR WORK ALL RIGHTS OF DESIGN AND INVENTION ARE RESERVED THIS IS AN ELECTRONICALLY GENERATED DOCUMENT - DO NOT SCALE THIS PRINT				RFP	CAD FILE 6906496		SIZE A	DRAWING NO. 6906496	PAGE OF	REV. 4
				DIST WP						

CERTIFICATION DATA SHEET

Model#: 48A170169 E **WINDING#:** PE484239 NONE 4
CONN. DIAGRAM: 6906496 **ASSEMBLY:** F1 ONLY
OUTLINE: A-SS73949-350

TYPICAL MOTOR PERFORMANCE DATA

HP	KW	SYNC. RPM	F.L. RPM	FRAME	ENCLOSURE	KVA CODE	DESIGN
1/4	0.19	1800	1625	48Y	OPAO	D	NO DESIGN CODE

PH	Hz	VOLTS	FL AMPS	START TYPE	DUTY	INSL	S.F	AMB°C	ELEVATION
1	60	460	1	ACROSS THE LINE	CONTINUOUS	B3	1.0	40	3300

FULL LOAD EFF: 58	3/4 LOAD EFF: 53.5	1/2 LOAD EFF: 44.8	GTD. EFF	ELEC. TYPE	NO LOAD AMPS
FULL LOAD PF: 83	3/4 LOAD PF: 77.8	1/2 LOAD PF: 69.4	0	PSC 1 SPEED	.7

F.L. TORQUE	LOCKED ROTOR AMPS	L.R. TORQUE	B.D. TORQUE	F.L. RISE°C
12.9 LB-FT	2.3	5.5 LB-FT 43	22.2 LB-FT 172	0

SOUND PRESSURE @ 3 FT.	SOUND POWER	ROTOR WK^2	MAX. WK^2	SAFE STALL TIME	STARTS /HOUR	APPROX. MOTOR WGT
0 dBA	10 dBA	- LB-FT^2	0 LB-FT^2	0 SEC.	0	- LBS.

***** SUPPLEMENTAL INFORMATION *****

DE BRACKET TYPE	ODE BRACKET TYPE	MOUNT TYPE	ORIENTATION	SEVERE DUTY	HAZARDOUS LOCATION	DRIP COVER	SCREENS	PAINT
STANDARD	STANDARD	ROUND-EXTENDED STUDS	HORIZONTAL	FALSE	NONE	FALSE	NONE	GRAY (POWDER)

BEARINGS		GREASE	SHAFT TYPE	SPECIAL DE	SPECIAL ODE	SHAFT MATERIAL	FRAME MATERIAL
DE	OPE						
BALL	BALL	MULTEMP SRL	SGL SPL EXT	0.500 x 6.00 WITH 5.50 DBL FULL FLATS	NONE	1144 STRESSPROOF (C-223)	ROLLED STEEL
6203	6203						

THERMO-PROTECTORS				THERMISTORS	CONTROL	SPACE /n HEATERS
THERMOSTATS	PROTECTORS	WDG RTDs	BRG RTDs			
NONE	AUT LCK RTR ONLY	NONE	NONE	NONE	FALSE	NONE VOLTS

If Inverter equals NONE, contact factory for further information

*
N
O
T
E
S
*

INVERTER TORQUE: NONE
INV. HP SPEED RANGE: NONE
ENCODER: NONE
NONE NONE
NONE NONE PPR
BRAKE: NONE NONE
NONE P/N NONE
NONE NONE
NONE FT-LB NONE V NONE Hz

