

PRODUCT INFORMATION PACKET

Model No: 048A8O151
Catalog No: X261
1/8,825,OPEN,48Y,1/60/115
Other Purpose



Regal and Marathon are trademarks of Regal Beloit Corporation or one of its affiliated companies.

©2018 Regal Beloit Corporation, All Rights Reserved. MC017097E

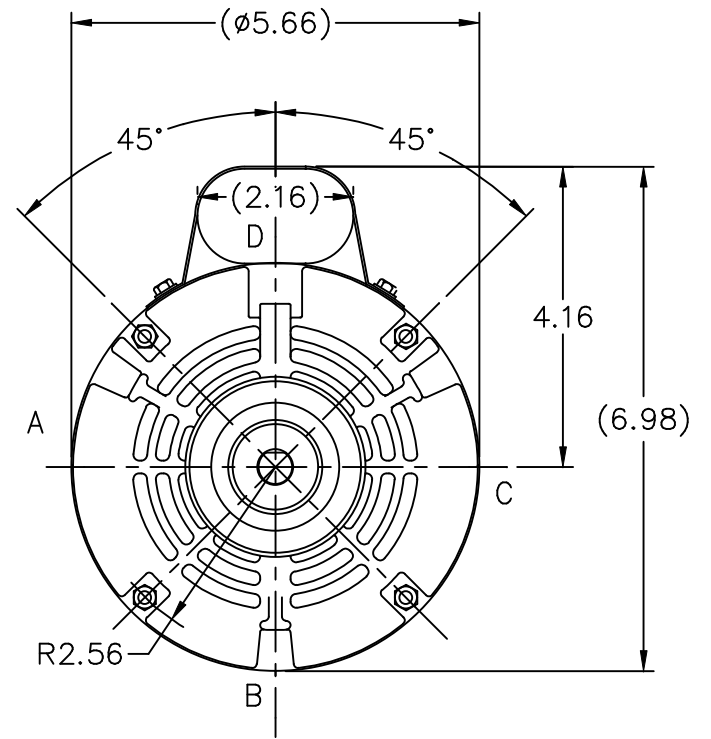
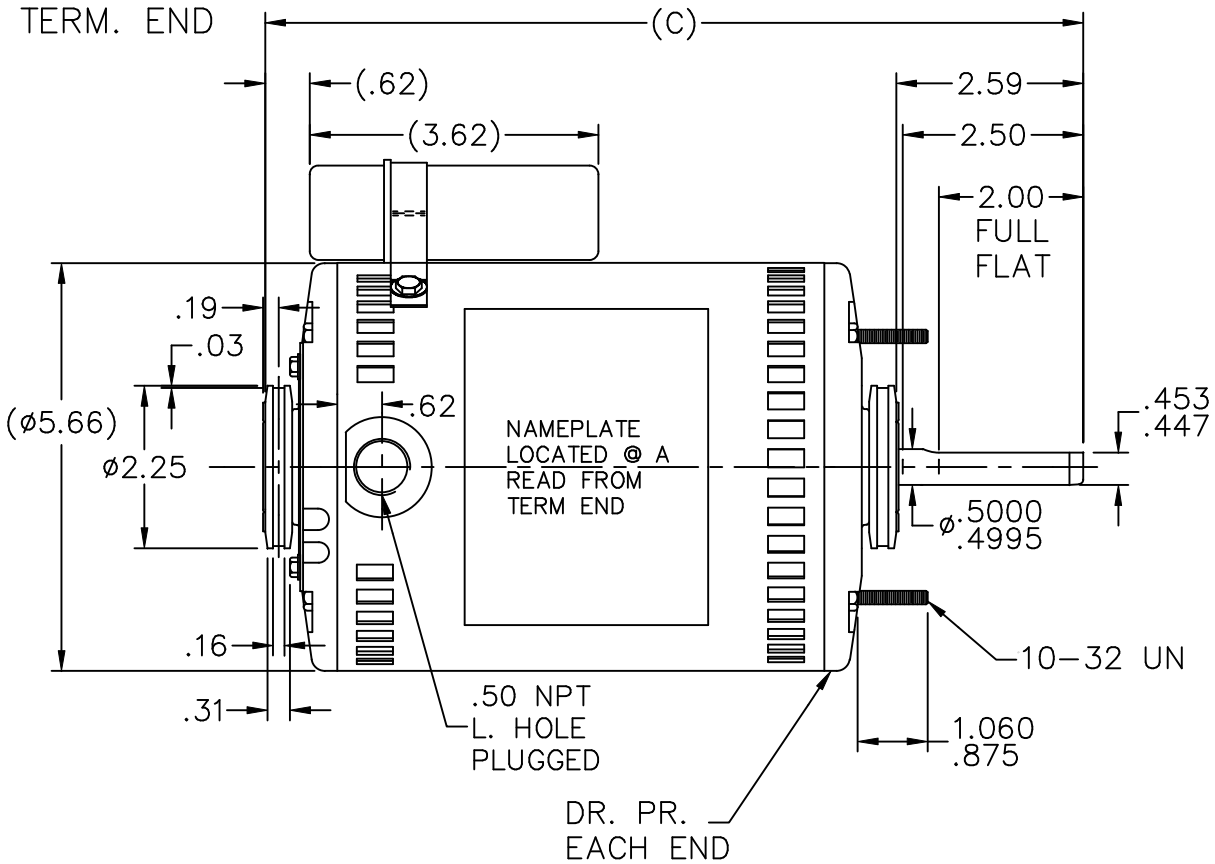
Nameplate Specifications

Output HP	0.13 Hp	Output KW	0.09 kW
Frequency	60 Hz	Voltage	115 V
Current	2.1 A	Speed	825 rpm
Service Factor	1	Phase	1
Efficiency	53.3 %	Duty	Continuous
Insulation Class	B	Design Code	NO DESIGN CODE
KVA Code	C	Frame	48Y
Enclosure	Open Enclosed	Overload Protector	Automatic Lock Rotor Only
Ambient Temperature	40 °C	Drive End Bearing Size	6203
Opp Drive End Bearing Size	6203	UL	Recognized
CSA	Y	CE	N
IP Code	10		

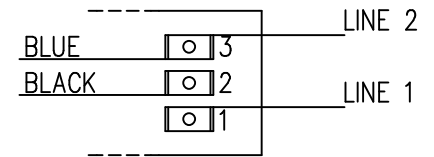
Technical Specifications

Electrical Type	Permanent Split Capacitor	Starting Method	Across The Line
Poles	8	Rotation	Selective Counterclockwise
Mounting	Round	Motor Orientation	Horizontal
Drive End Bearing	Ball	Opp Drive End Bearing	Ball
Frame Material	Rolled Steel	Shaft Type	Single Special Extension
Overall Length	10.09 in	Frame Length	5.50 in
Shaft Diameter	0.500 in	Shaft Extension	2.59 in
Assembly/Box Mounting	F1 Only		
Outline Drawing	A-SS73619-550	Connection Diagram	A-EE9022NU

This is an uncontrolled document once printed or downloaded and is subject to change without notice. Date Created: 10/08/2018

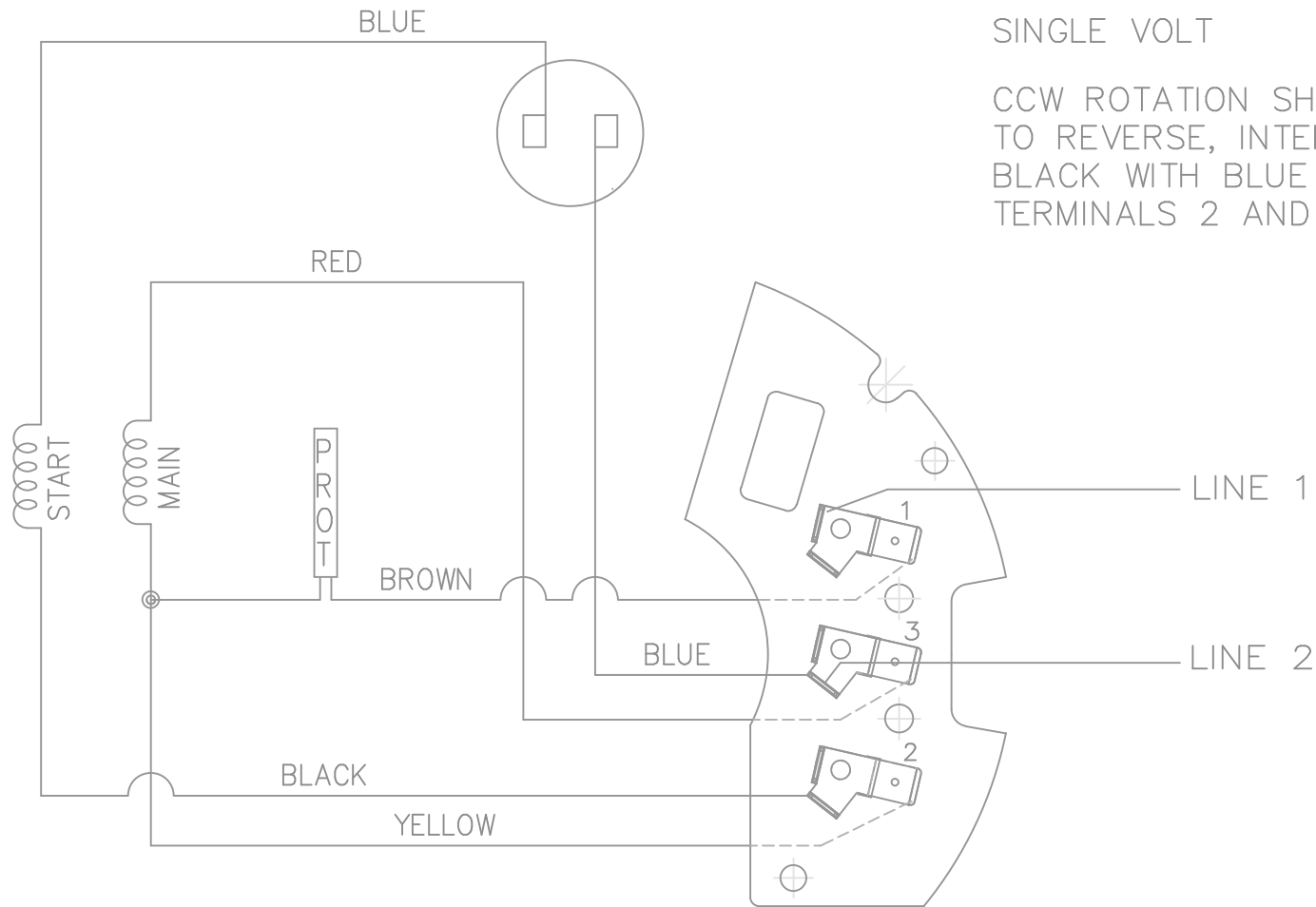


CCW ROTATION SHOWN—TO REVERSE INTER
CHANGE BLACK WITH BLUE ON TERMS 2 & 4



DASH	FR.	C
525	48	9.84
550	48	10.09

		TOLERANCES UNLESS SPECIFIED		MARATHON ELECTRIC		DRAWN BLR 05-15-1996	
		DEC.	INCHES			CHK ML 05-21-1996	
3	CORRECT TERMINAL 3 WAS 4 IN CONNECTION BLOCK	MOL	06-16-2009	.X	$\pm .1$	APPD TOM 05-21-1996	
2	REDRAWN IN AUTOCAD	TAT	10-15-2004	ML	.XX $\pm .03$	SCALE 3=8	
1	REDRAWN ON CADD, REVISED TO 1/4" FRAME VENTS AND 1/4" PROBE BRACKET CN 22052A	BLR	05-30-1996	.XXX	$\pm .005$	REF	
				.XXXX	$\pm .0005$	FMF	
NO.	REVISION	BY & DATE	CHK	ANG	$\pm 7'30"$	PREV	
THIS DRAWING IN DESIGN AND DETAIL IS OUR PROPERTY AND MUST NOT BE USED EXCEPT IN CONNECTION WITH OUR WORK ALL RIGHTS OF DESIGN AND INVENTION ARE RESERVED THIS IS AN ELECTRONICALLY GENERATED DOCUMENT - DO NOT SCALE THIS PRINT		RFP	CAD FILE ss73619		SIZE A	DRAWING NO. SS73619	PAGE OF 3
		DIST	WP				REV. 3



SINGLE VOLT

CCW ROTATION SHOWN
TO REVERSE, INTERCHANGE
BLACK WITH BLUE ON
TERMINALS 2 AND 3

VIEW OF TERMINAL END

				TOLERANCES UNLESS SPECIFIED			DRAWN BLR 03-19-1998				
				DEC.	INCHES		CHK TOM 03-20-1998				
				.X	± -		APPD SAT 03-20-2004				
				.XX	± -	TITLE CONNECTION DIAGRAM				SCALE 1=1	
2	REDRAWN ON CADD	NJS 07-14-2004	DRS	.XXX	± -					REF	
1	NEW DRAWING MU19162	BLR 03-20-1998		.XXXX	± -	MAT'L.				FMF	
NO.	REVISION	BY & DATE	CHK	ANG	± -	FINISH				PREV	
THIS DRAWING IN DESIGN AND DETAIL IS OUR PROPERTY AND MUST NOT BE USED EXCEPT IN CONNECTION WITH OUR WORK ALL RIGHTS OF DESIGN AND INVENTION ARE RESERVED THIS IS AN ELECTRONICALLY GENERATED DOCUMENT - DO NOT SCALE THIS PRINT				RFP	CAD FILE EE9022NU		SIZE	DRAWING NO.	PAGE	OF	REV.
				DIST	WP	A	EE9022NU			2	

CERTIFICATION DATA SHEET

Model#: 48A80151 K **WINDING#:** PE488268 NONE 1
CONN. DIAGRAM: A-EE9022NU **ASSEMBLY:** F1 ONLY
OUTLINE: A-SS73619-550

TYPICAL MOTOR PERFORMANCE DATA

HP	KW	SYNC. RPM	F.L. RPM	FRAME	ENCLOSURE	KVA CODE	DESIGN	
1/8	0.09	900	825	48Y	OPEN	C	NO DESIGN CODE	

PH	Hz	VOLTS	FL AMPS	START TYPE	DUTY	INSL	S.F	AMB°C	ELEVATION
1	60	115	2.1	ACROSS THE LINE	CONTINUOUS	B3	1.0	40	3300

FULL LOAD EFF: 53.3	3/4 LOAD EFF: 46	1/2 LOAD EFF: 37	GTD. EFF	ELEC. TYPE	NO LOAD AMPS
FULL LOAD PF: -	3/4 LOAD PF: 77.5	1/2 LOAD PF: 71.9	0	PSC 1 SPEED	1.4

F.L. TORQUE	LOCKED ROTOR AMPS	L.R. TORQUE	B.D. TORQUE	F.L. RISE°C
12.5 LB-FT	-	- LB-FT -	16.6 LB-FT 0	-

SOUND PRESSURE @ 3 FT.	SOUND POWER	ROTOR WK^2	MAX. WK^2	SAFE STALL TIME	STARTS /HOUR	APPROX. MOTOR WGT
0 dBA	10 dBA	-1 LB-FT^2	0 LB-FT^2	0 SEC.	0	0 LBS.

***** SUPPLEMENTAL INFORMATION *****

DE BRACKET TYPE	ODE BRACKET TYPE	MOUNT TYPE	ORIENTATION	SEVERE DUTY	HAZARDOUS LOCATION	DRIP COVER	SCREENS	PAINT
STANDARD	STANDARD	ROUND	HORIZONTAL	FALSE	NONE	FALSE	NONE	GRAY (POWDER)

BEARINGS		GREASE	SHAFT TYPE	SPECIAL DE	SPECIAL ODE	SHAFT MATERIAL	FRAME MATERIAL
DE	OPE	POLYREX EM	SGL SPL EXT	0.500 x 2.50 IN SEF WITH 2.00 IN FULL FLAT	NONE	1144 STRESSPROOF (C-223)	ROLLED STEEL
BALL	BALL						
6203	6203						

THERMO-PROTECTORS				THERMISTORS	CONTROL	SPACE /n HEATERS
THERMOSTATS	PROTECTORS	WDG RTDs	BRG RTDs			
NONE	AUT LCK RTR ONLY	NONE	NONE	NONE	FALSE	NONE VOLTS

If Inverter equals NONE, contact factory for further information

INVERTER TORQUE: NONE
INV. HP SPEED RANGE: NONE
ENCODER: NONE
NONE NONE
NONE NONE PPR
BRAKE: NONE NONE
NONE P/N NONE
NONE NONE
NONE FT-LB NONE V NONE Hz

* N
O
T
E
S
*

DATE: 06/28/2017 02:26:22 AM
 FORM 3531 REV.3 02/07/99
 ** Subject to change without notice.