

PRODUCT INFORMATION PACKET

Model No: 048C17D2023
Catalog No: S010
1/3, 1800, DP, 48, 1/60/115/230
Open Drip Proof (ODP)



Regal and Marathon are trademarks of Regal Beloit Corporation or one of its affiliated companies.
©2018 Regal Beloit Corporation, All Rights Reserved. MC017097E





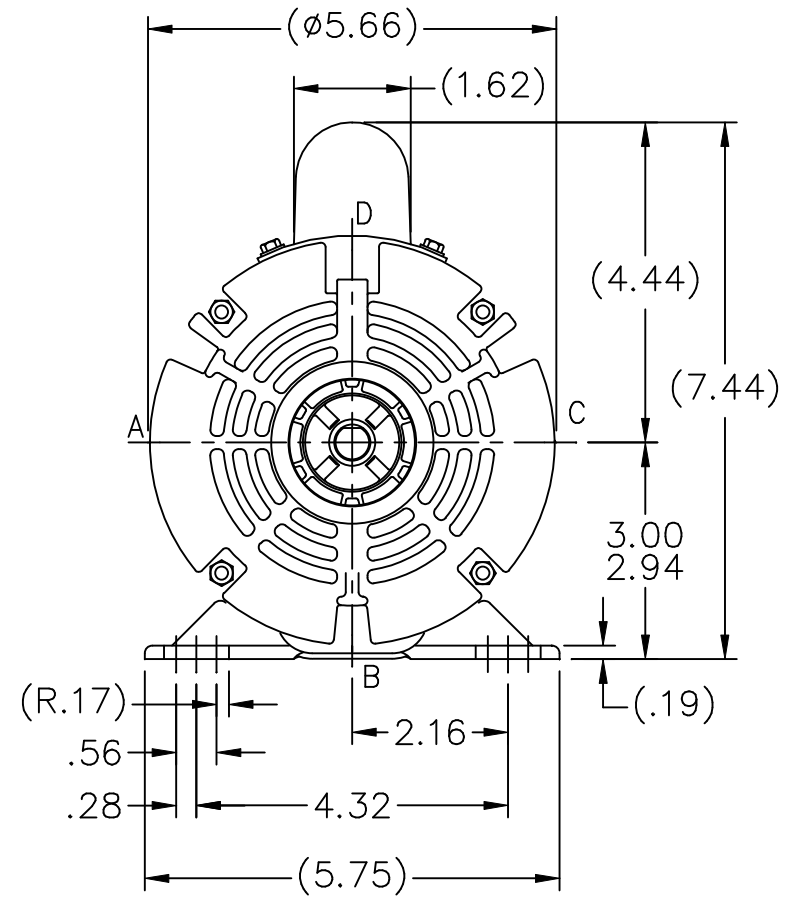
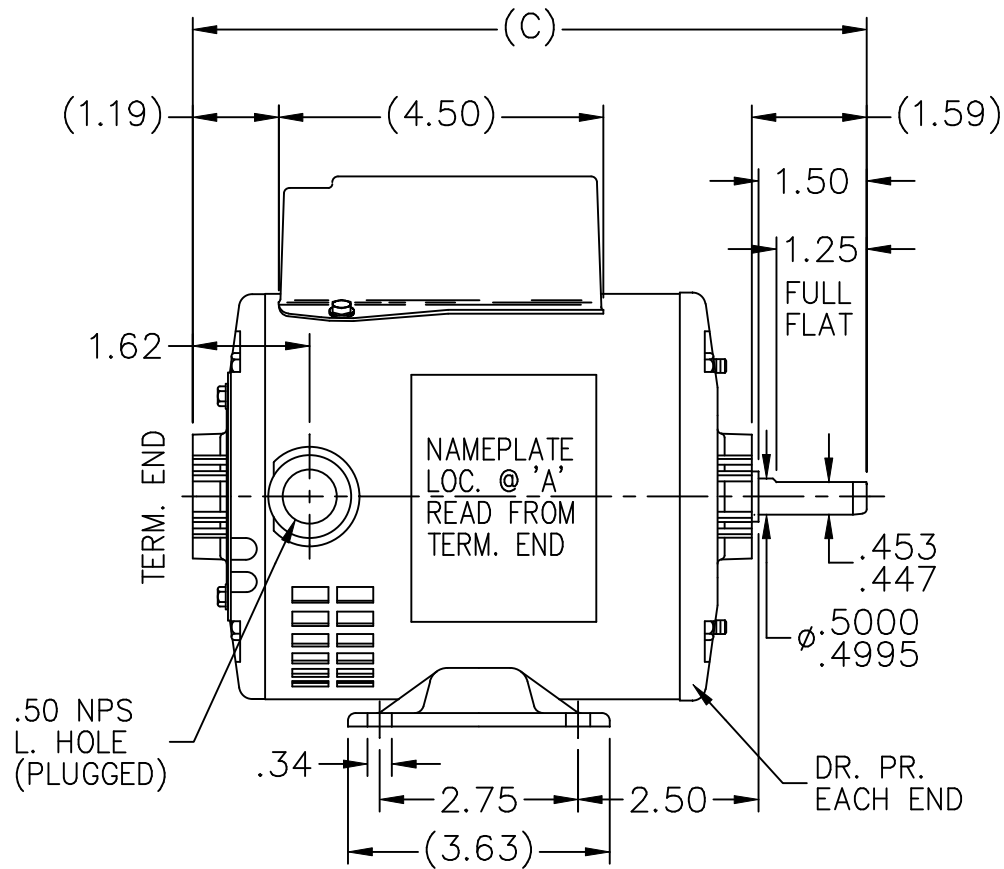
Nameplate Specifications

Output HP	0.33 Hp	Output KW	0.25 kW
Frequency	60 Hz	Voltage	115/230 V
Current	7.0/3.5 A	Speed	1725 rpm
Service Factor	1	Phase	1
Efficiency	59.5 %	Duty	Continuous
Insulation Class	B	Design Code	NO DESIGN CODE
KVA Code	L	Frame	48
Enclosure	Drip Proof	Overload Protector	No
Ambient Temperature	40 °C	Drive End Bearing Size	6203
Opp Drive End Bearing Size	6203	UL	Recognized
CSA	Y	CE	N
IP Code	22		

Technical Specifications

Electrical Type	Capacitor Start Induction Run	Starting Method	Across The Line
Poles	4	Rotation	Selective Counterclockwise
Mounting	Rigid base	Motor Orientation	Horizontal
Drive End Bearing	Ball	Opp Drive End Bearing	Ball
Frame Material	Rolled Steel	Shaft Type	NEMA 48
Overall Length	9.34 in	Frame Length	5.75 in
Shaft Diameter	0.500 in	Shaft Extension	1.59 in
Assembly/Box Mounting	F1 Only		
Outline Drawing	A-SS78783-575	Connection Diagram	A-EE9002E

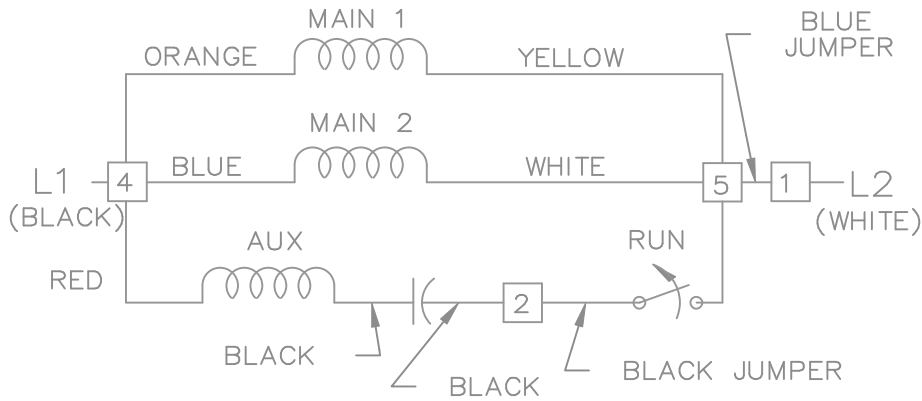
This is an uncontrolled document once printed or downloaded and is subject to change without notice. Date Created: 06/29/2018



DASH	FRAME	C
575	48	9.34
625	48	9.84

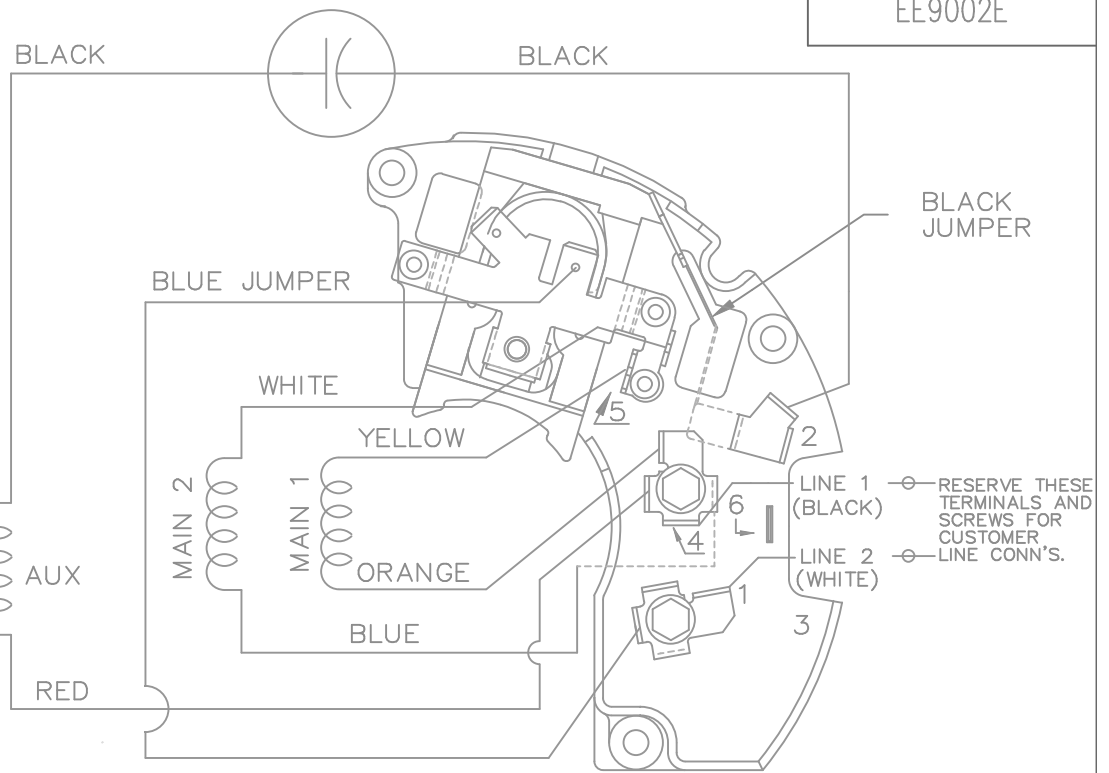
			TOLERANCES UNLESS SPECIFIED		MARATHON ELECTRIC	DRAWN MRB 3/10/1998	
			DEC.	INCHES		CHK	ML 4/1/1998
			.X	±.1	TITLE OUTLINE	APPD	GK 4/1/1998
			.XX	±.03		SCALE	3=8
5	UPDATED DRAWING	TJW 05/11/2007	.XXX	±.005		REF	
4	REDRAWN ON CADD - NO CHANGE	MRB 4/1/1998	.XXXX	±.0005		MAT'L.	FMF
NO.	REVISION	BY & DATE	CHK	ANG	FINISH	PREV	
			RFP		CAD FILE SS78783	SIZE	DRAWING NO. PAGE OF
			DIST WP			A	SS78783 5

THIS DRAWING IN DESIGN AND DETAIL IS OUR PROPERTY AND MUST NOT BE USED EXCEPT IN CONNECTION WITH OUR WORK ALL RIGHTS OF DESIGN AND INVENTION ARE RESERVED THIS IS AN ELECTRONICALLY GENERATED DOCUMENT - DO NOT SCALE THIS PRINT



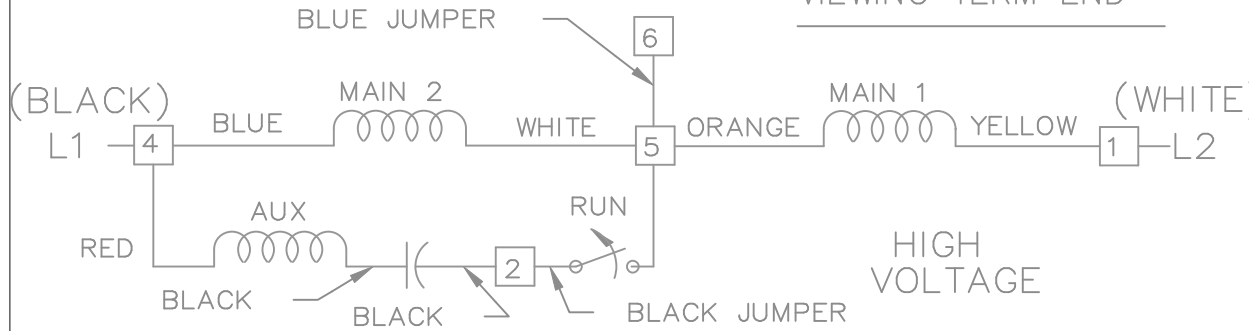
LOW VOLTAGE

DUAL VOLTAGE CAPACITOR START REVERSIBLE ON TERM BOARD NO OVERLOAD PROTECTION



VIEWING TERM END

LOW VOLTAGE CCW ROTATION SHOWN



HIGH VOLTAGE

FOR HIGH VOLTAGE:
CONNECT BLUE TERM 1 TO TERM 6,
CONNECT YELLOW TERM 5 TO TERM 1,
CONNECT ORANGE TERM 4 TO TERM 5.

TO REVERSE ROTATION EITHER VOLTAGE INTERCHANGE RED LEAD WITH BLACK LEAD

		TOLERANCES UNLESS SPECIFIED		MARATHON ELECTRIC		DRAWN ML 02-02-1988			
		DEC.	INCHES			CHK GK 02-15-1988			
05	COLOURS ADDED TO L1,L2	RP	12/10/2008	.X	±.1	APPD DRN 02-24-1988			
04	WHITE LEAD LOCATED UNDER BKY DATE	BLR	09/13/99	.XX	±.02	SCALE 1=1			
	CODE APPR. 6K AND PRIOR CN 28441			.XXX	±.005	REF EE9002E-LE			
03	REVISED LINE 2 LOCATION CN 6427	RM	01/28/1991	.XXXX	±.0005	FMF			
02	ADDED CUSTOMER CONN. NOTE CN 6011	BW	08/03/1989	CHK	ANG ±7'30"	PREV			
NO.	REVISION	BY & DATE	CHK	ANG	FINISH				
THIS DRAWING IN DESIGN AND DETAIL IS OUR PROPERTY AND MUST NOT BE USED EXCEPT IN CONNECTION WITH OUR WORK ALL RIGHTS OF DESIGN AND INVENTION ARE RESERVED THIS IS AN ELECTRONICALLY GENERATED DOCUMENT - DO NOT SCALE THIS PRINT			RFP		CAD FILE EE9002E	SIZE A	DRAWING NO. EE9002E	PAGE OF	REV. 05
			DIST	WP					

CERTIFICATION DATA SHEET

Model#: 48C17D2023 M **WINDING#:** CE48419 NONE 3
CONN. DIAGRAM: A-EE9002E **ASSEMBLY:** F1 ONLY
OUTLINE: A-SS78783-575

TYPICAL MOTOR PERFORMANCE DATA

HP	KW	SYNC. RPM	F.L. RPM	FRAME	ENCLOSURE	KVA CODE	DESIGN
1/3	0.25	1800	1725	48	DP	L	NO DESIGN CODE

PH	Hz	VOLTS	FL AMPS	START TYPE	DUTY	INSL	S.F	AMB°C	ELEVATION
1	60	115/230	7/3.5	ACROSS THE LINE	CONTINUOUS	B3	1.0	40	3300

FULL LOAD EFF: 59.5	3/4 LOAD EFF: 52.2	1/2 LOAD EFF: 43.7	GTD. EFF	ELEC. TYPE	NO LOAD AMPS
FULL LOAD PF: 58.5	3/4 LOAD PF: 53.1	1/2 LOAD PF: 44.4	-	CAP START IND RUN	5.9 / 3

F.L. TORQUE	LOCKED ROTOR AMPS	L.R. TORQUE	B.D. TORQUE	F.L. RISE°C
16.3 LB-FT	26.2 / 13.1	2.56 LB-FT -	2.66 LB-FT -	-

SOUND PRESSURE @ 3 FT.	SOUND POWER	ROTOR WK^2	MAX. WK^2	SAFE STALL TIME	STARTS /HOUR	APPROX. MOTOR WGT
- dBA	- dBA	- LB-FT^2	- LB-FT^2	- SEC.	-	- LBS.

***** SUPPLEMENTAL INFORMATION *****

DE BRACKET TYPE	ODE BRACKET TYPE	MOUNT TYPE	ORIENTATION	SEVERE DUTY	HAZARDOUS LOCATION	DRIP COVER	SCREENS	PAINT
STANDARD	STANDARD	RIGID	HORIZONTAL	FALSE	NONE	FALSE	NONE	GRAY (POWDER)

BEARINGS		GREASE	SHAFT TYPE	SPECIAL DE	SPECIAL ODE	SHAFT MATERIAL	FRAME MATERIAL
DE	OPE						
BALL	BALL	MULTEMP SRL	STANDARD 48	NONE	NONE	1144 STRESSPROOF (C-223)	ROLLED STEEL
6203	6203						

THERMO-PROTECTORS				THERMISTORS	CONTROL	SPACE /n HEATERS
THERMOSTATS	PROTECTORS	WDG RTDs	BRG RTDs			
NONE	NOT	NONE	NONE	NONE	FALSE	NONE VOLTS

If Inverter equals NONE, contact factory for further information

INVERTER TORQUE: NONE
INV. HP SPEED RANGE: NONE
ENCODER: NONE
NONE NONE
NONE NONE PPR
BRAKE: NONE NONE
NONE P/N NONE
NONE NONE
NONE FT-LB NONE V NONE Hz

*
N
O
T
E
S
*