

PRODUCT INFORMATION PACKET

Model No: 048C17D2028
Catalog No: S110
1/3, 1800, DP, 48, 1/60/115/230
Open Drip Proof (ODP)



Regal and Marathon are trademarks of Regal Beloit Corporation or one of its affiliated companies.
©2018 Regal Beloit Corporation, All Rights Reserved. MC017097E



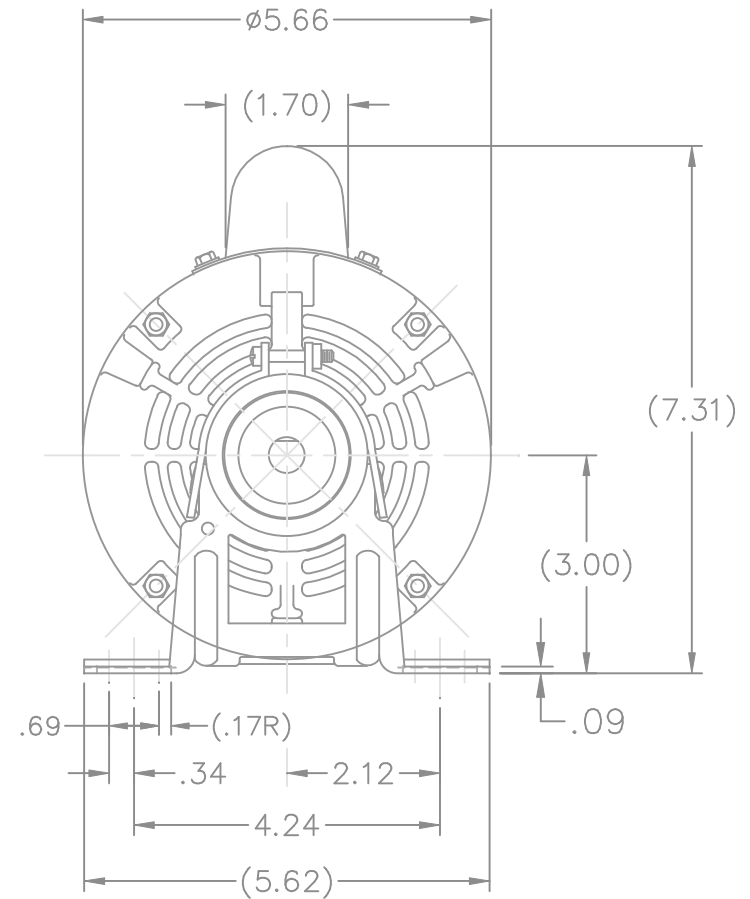
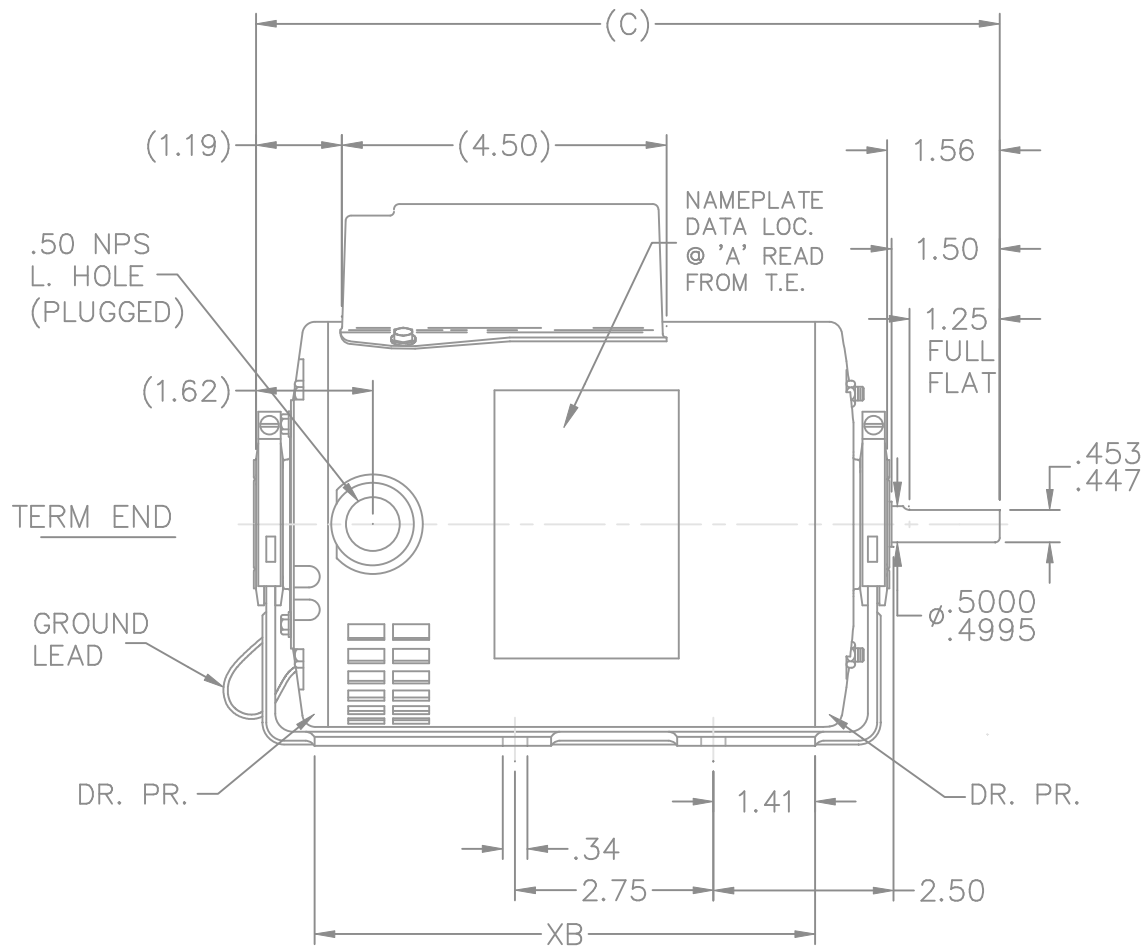
Nameplate Specifications

Output HP	0.33 Hp	Output KW	0.25 kW
Frequency	60 Hz	Voltage	115/230 V
Current	7.0/3.5 A	Speed	1725 rpm
Service Factor	1	Phase	1
Efficiency	59.5 %	Duty	Continuous
Insulation Class	B	Design Code	NO DESIGN CODE
KVA Code	L	Frame	48
Enclosure	Drip Proof	Overload Protector	No
Ambient Temperature	40 °C	Drive End Bearing Size	6203
Opp Drive End Bearing Size	6203	UL	Recognized
CSA	Y	CE	N
IP Code	22		


Technical Specifications

Electrical Type	Capacitor Start Induction Run	Starting Method	Across The Line
Poles	4	Rotation	Selective Counterclockwise
Mounting	Resilient Base	Motor Orientation	Horizontal
Drive End Bearing	Ball	Opp Drive End Bearing	Ball
Frame Material	Rolled Steel	Shaft Type	NEMA 48
Overall Length	9.31 in	Frame Length	3.75 in
Shaft Diameter	0.500 in	Shaft Extension	1.56 in
Assembly/Box Mounting	F1 Only		
Outline Drawing	A-SS403754-575	Connection Diagram	A-EE9002E

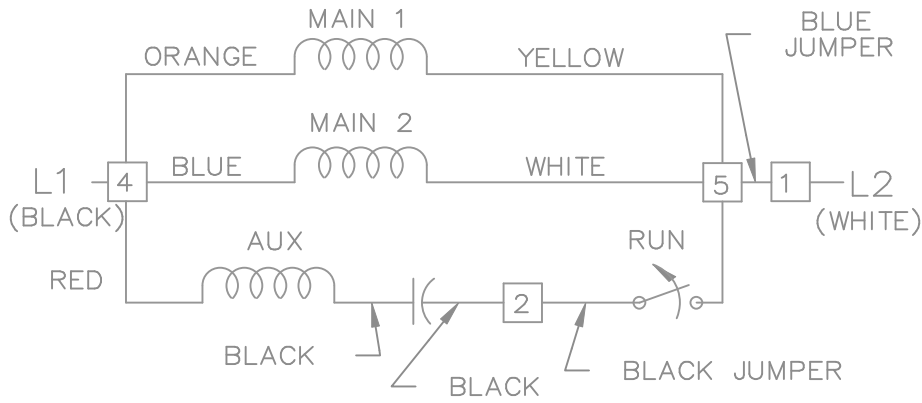
This is an uncontrolled document once printed or downloaded and is subject to change without notice. Date Created: 10/08/2018



DASH	FRAME	C	XB
550	48	9.06	5.69
575	48	9.31	5.94
625	48	9.81	6.44
675	48	10.31	6.94

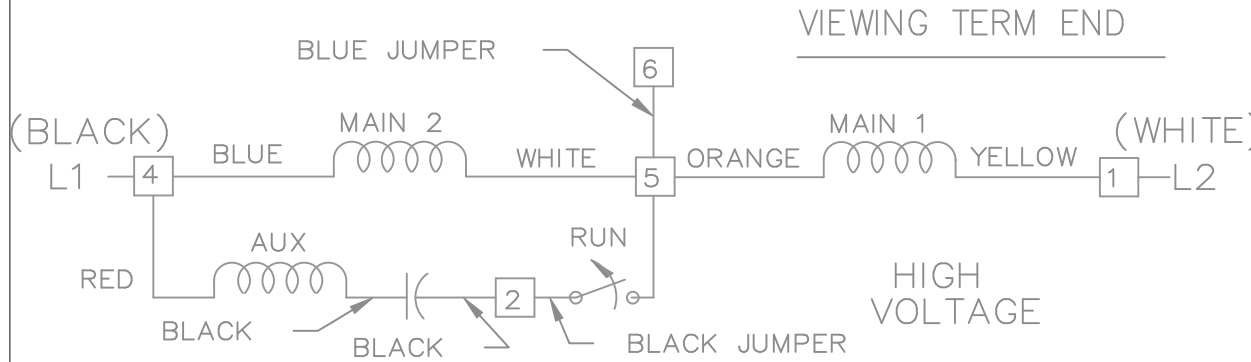
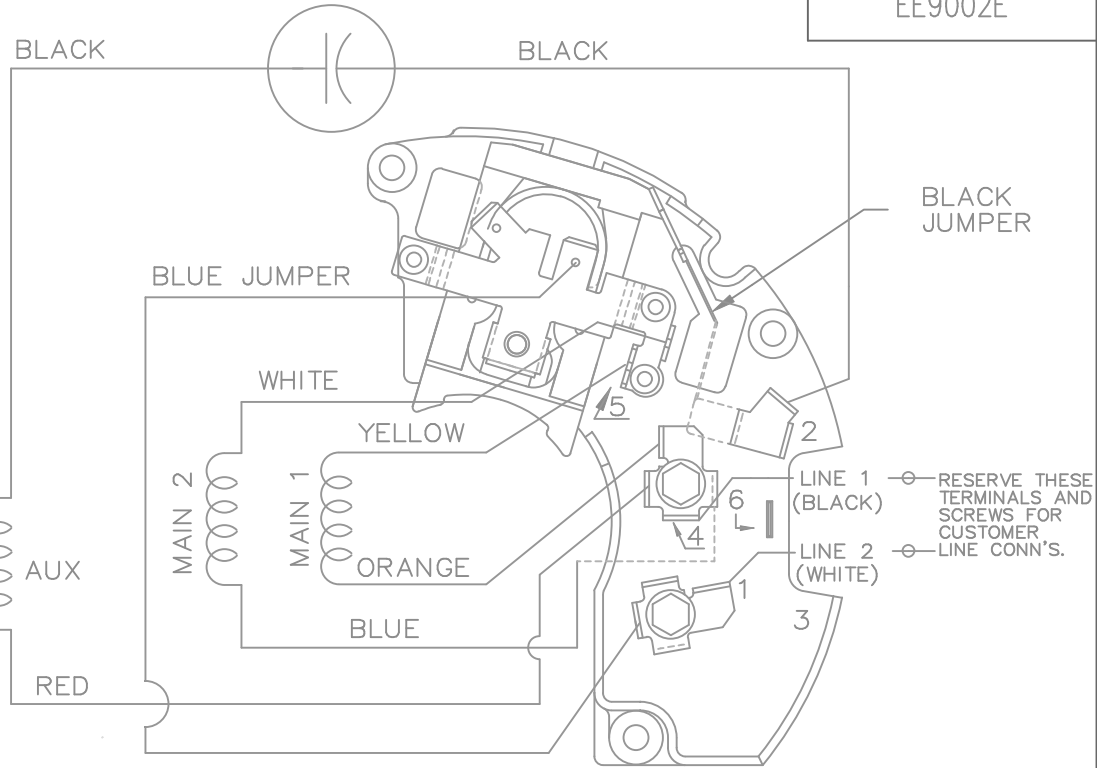
				TOLERANCES UNLESS SPECIFIED		 MARATHON ELECTRIC	DRAWN SP 08-01-2008					
				DEC.	INCHES		CHK NB 08-01-2008					
				.X	±.1		APPD SP 08-01-2008					
				.XX	±.03		SCALE 3=8					
				.XXX	±.005		REF SS79609					
				.XXXX	±.0005		FMF 08-2127					
NO.	REVISION	BY & DATE	CHK	ANG	±7'30"	MAT'L.	FINISH	PREV				
			RFP			CAD FILE	SS	SIZE	DRAWING NO.	PAGE	OF	REV.
			DIST	WP				A	SS403754			

THIS DRAWING IN DESIGN AND DETAIL IS OUR PROPERTY AND MUST NOT BE USED EXCEPT IN CONNECTION WITH OUR WORK ALL RIGHTS OF DESIGN AND INVENTION ARE RESERVED THIS IS AN ELECTRONICALLY GENERATED DOCUMENT - DO NOT SCALE THIS PRINT



LOW VOLTAGE

DUAL VOLTAGE CAPACITOR START REVERSIBLE ON TERM BOARD NO OVERLOAD PROTECTION



HIGH VOLTAGE

VIEWING TERM END LOW VOLTAGE CCW ROTATION SHOWN

FOR HIGH VOLTAGE:
CONNECT BLUE TERM 1 TO TERM 6,
CONNECT YELLOW TERM 5 TO TERM 1,
CONNECT ORANGE TERM 4 TO TERM 5.

TO REVERSE ROTATION EITHER VOLTAGE INTERCHANGE RED LEAD WITH BLACK LEAD

			TOLERANCES UNLESS SPECIFIED		MARATHON ELECTRIC	DRAWN ML 02-02-1988			
NO.	REVISION	BY & DATE	CHK	ANG		SCALE 1=1			
05	COLOURS ADDED TO L1,L2	RP 12/10/2008	DEC.	INCHES	TITLE CONNECTION DIAGRAM 48FR. DUAL VOLTAGE REVERSIBLE	CHK GK 02-15-1988			
04	WHITE LEAD LOCATED UNDER BKY DATE CODE APPR. 6K AND PRIOR CN 28441	BLR 09/13/99	.X	±.1		APPD DRN 02-24-1988			
03	REVISED LINE 2 LOCATION CN 6427	RM 01/28/1991	.XX	±.02		SCALE 1=1			
02	ADDED CUSTOMER CONN. NOTE CN 6011	BW 08/03/1989	.XXX	±.005		REF EE9002E-LE			
			.XXXX	±.0005		FMF			
			ANG	±7'30"	FINISH	PREV			
THIS DRAWING IN DESIGN AND DETAIL IS OUR PROPERTY AND MUST NOT BE USED EXCEPT IN CONNECTION WITH OUR WORK ALL RIGHTS OF DESIGN AND INVENTION ARE RESERVED THIS IS AN ELECTRONICALLY GENERATED DOCUMENT - DO NOT SCALE THIS PRINT			RFP		CAD FILE EE9002E	SIZE A	DRAWING NO. EE9002E	PAGE OF	REV. 05
			DIST	WP					

