

PRODUCT INFORMATION PACKET

Model No: 048C17D2041
Catalog No: B312
1/4,1725,DP,48Z,1/60/115/208-230
Fan and Blower



Regal and Marathon are trademarks of Regal Beloit Corporation or one of its affiliated companies.
©2018 Regal Beloit Corporation, All Rights Reserved. MC017097E



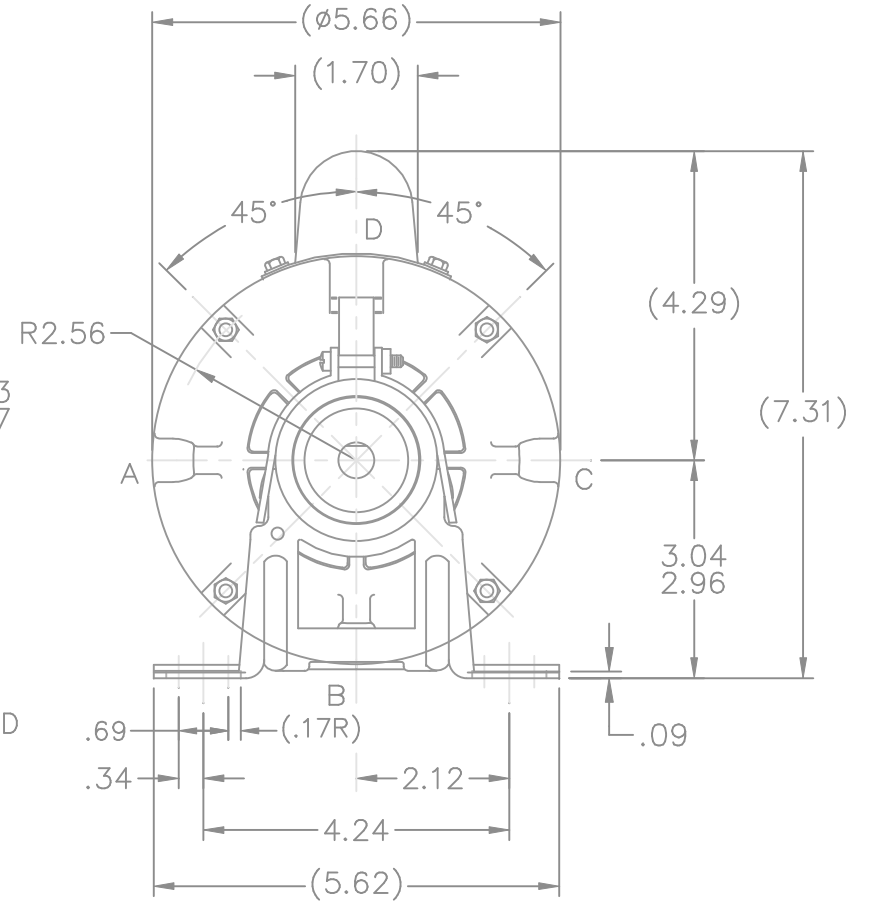
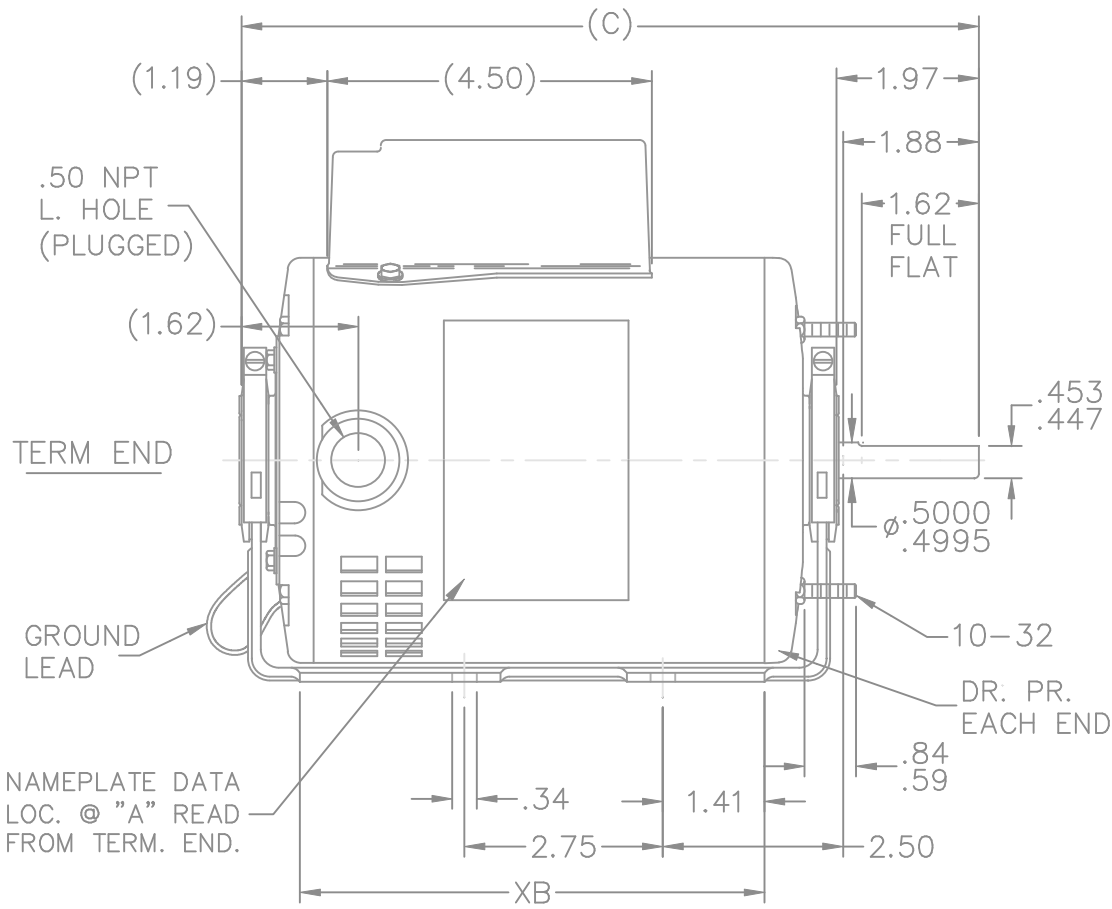
Nameplate Specifications

Output HP	0.25 Hp	Output KW	0.19 kW
Frequency	60 Hz	Voltage	115/208-230 V
Current	6.2/2.8-3.1 A	Speed	1725 rpm
Service Factor	1.35	Phase	1
Efficiency	52.5 %	Duty	Continuous
Insulation Class	B	Design Code	NO DESIGN CODE
KVA Code	L	Frame	48Z
Enclosure	Drip Proof	Overload Protector	No
Ambient Temperature	40 °C	Drive End Bearing Size	6203
Opp Drive End Bearing Size	6203	UL	Recognized
CSA	Y	CE	N
IP Code	12		

Technical Specifications

Electrical Type	Capacitor Start Induction Run	Starting Method	Across The Line
Poles	4	Rotation	Selective Counterclockwise
Mounting	Resilient Base - Extended Studs	Motor Orientation	Horizontal
Drive End Bearing	Ball	Opp Drive End Bearing	Ball
Frame Material	Rolled Steel	Shaft Type	Single Special Extension
Overall Length	9.72 in	Shaft Diameter	0.500 in
Shaft Extension	1.88 in	Assembly/Box Mounting	F1 Only
Outline Drawing	A-SS79620-575	Connection Diagram	A-EE9002E

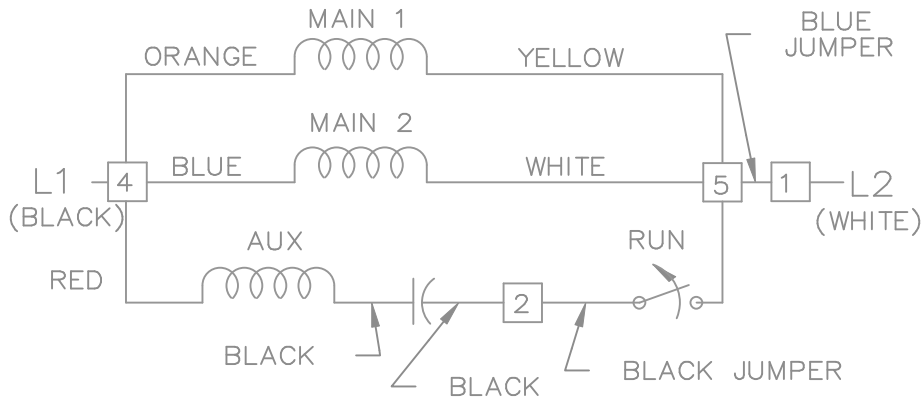
This is an uncontrolled document once printed or downloaded and is subject to change without notice. Date Created: 10/08/2018



DASH	FR.	C	XB
550	48	9.47	5.69
575	48	9.72	5.94
625	48	10.22	6.44

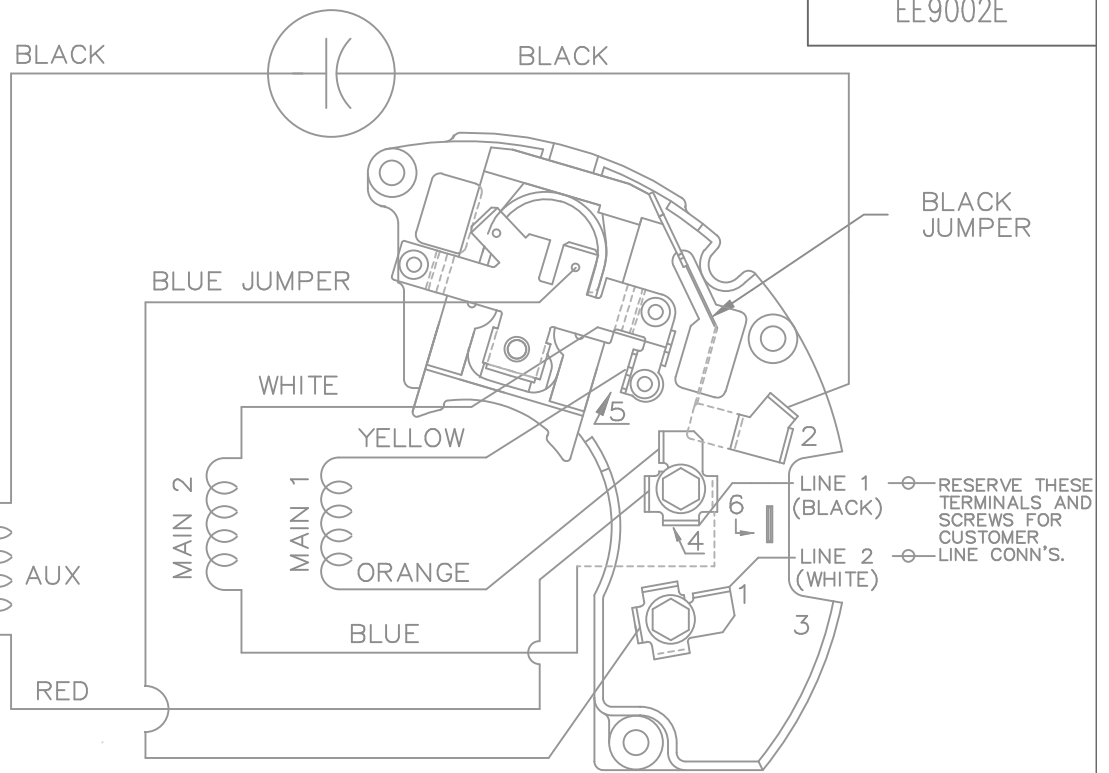
				TOLERANCES UNLESS SPECIFIED			DRAWN DD 05-11-1993				
				DEC.	INCHES		CHK ML 05-12-1993	APPD SAT 05-12-1993			
6	UPDATED DRAWING	TJW	04/27/2007	.X	±.1	TITLE OUTLINE	SCALE 3=8				
5	REDRAWN IN AUTOCAD	TAT	09-01-2004	ML	.XXX ±.005		REF	FMF			
4	REDRAWN ON CADD	4031395	DD 05-17-1993	.XXXX	±.0005	MAT'L.	PREV				
NO.	REVISION	BY & DATE	CHK	ANG	±'30"	FINISH	SIZE	DRAWING NO.	PAGE	OF	REV.
			RFP			CAD FILE ss79620	A	SS79620			6
			DIST	WP							

THIS DRAWING IN DESIGN AND DETAIL IS OUR PROPERTY AND MUST NOT BE USED EXCEPT IN CONNECTION WITH OUR WORK ALL RIGHTS OF DESIGN AND INVENTION ARE RESERVED THIS IS AN ELECTRONICALLY GENERATED DOCUMENT - DO NOT SCALE THIS PRINT



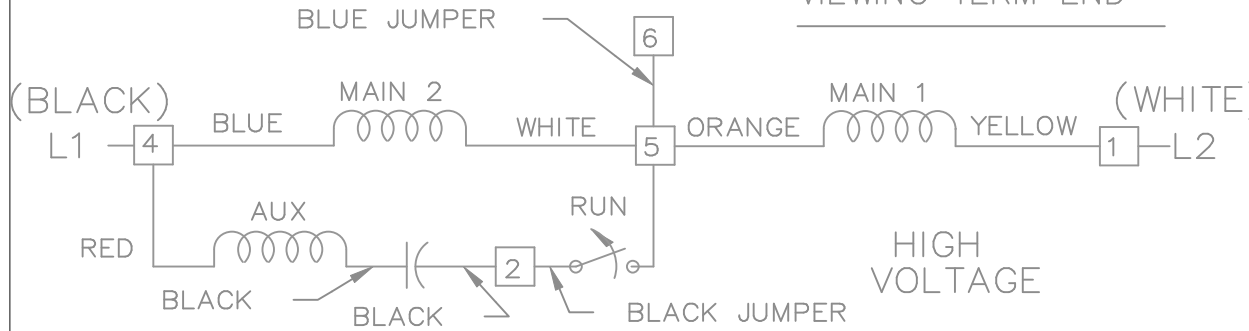
LOW VOLTAGE

DUAL VOLTAGE CAPACITOR START REVERSIBLE ON TERM BOARD NO OVERLOAD PROTECTION



VIEWING TERM END

LOW VOLTAGE CCW ROTATION SHOWN



HIGH VOLTAGE

FOR HIGH VOLTAGE:
CONNECT BLUE TERM 1 TO TERM 6,
CONNECT YELLOW TERM 5 TO TERM 1,
CONNECT ORANGE TERM 4 TO TERM 5.

TO REVERSE ROTATION EITHER VOLTAGE INTERCHANGE RED LEAD WITH BLACK LEAD

		TOLERANCES UNLESS SPECIFIED		MARATHON ELECTRIC		DRAWN ML 02-02-1988			
		DEC.	INCHES			CHK GK 02-15-1988			
05	COLOURS ADDED TO L1,L2	RP	12/10/2008	.X	±.1	APPD DRN 02-24-1988			
04	WHITE LEAD LOCATED UNDER BKY DATE	BLR	09/13/99	.XX	±.02	SCALE 1=1			
	CODE APPR. 6K AND PRIOR CN 28441			.XXX	±.005	REF EE9002E-LE			
03	REVISED LINE 2 LOCATION CN 6427	RM	01/28/1991	.XXXX	±.0005	FMF			
02	ADDED CUSTOMER CONN. NOTE CN 6011	BW	08/03/1989	CHK	ANG ±7'30"	PREV			
NO.	REVISION	BY & DATE	CHK	ANG	FINISH				
THIS DRAWING IN DESIGN AND DETAIL IS OUR PROPERTY AND MUST NOT BE USED EXCEPT IN CONNECTION WITH OUR WORK ALL RIGHTS OF DESIGN AND INVENTION ARE RESERVED THIS IS AN ELECTRONICALLY GENERATED DOCUMENT - DO NOT SCALE THIS PRINT			RFP		CAD FILE EE9002E	SIZE A	DRAWING NO. EE9002E	PAGE OF	REV. 05
			DIST	WP					

** Subject to change without notice.