

# PRODUCT INFORMATION PACKET

Model No: 048C17D2042  
Catalog No: B313  
1/4,1800,DP,48Y,1/60/115/230  
Fan and Blower



Regal and Marathon are trademarks of Regal Beloit Corporation or one of its affiliated companies.  
©2018 Regal Beloit Corporation, All Rights Reserved. MC017097E



**Nameplate Specifications**

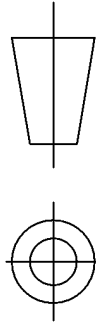
|                            |                      |                        |                       |
|----------------------------|----------------------|------------------------|-----------------------|
| Output HP                  | <b>0.25 Hp</b>       | Output KW              | <b>0.19 kW</b>        |
| Frequency                  | <b>60 Hz</b>         | Voltage                | <b>115/208-230 V</b>  |
| Current                    | <b>5.2/2.8-2.6 A</b> | Speed                  | <b>1725 rpm</b>       |
| Service Factor             | <b>1.35</b>          | Phase                  | <b>1</b>              |
| Efficiency                 | <b>57.5 %</b>        | Duty                   | <b>Continuous</b>     |
| Insulation Class           | <b>B</b>             | Design Code            | <b>NO DESIGN CODE</b> |
| KVA Code                   | <b>M</b>             | Frame                  | <b>48Y</b>            |
| Enclosure                  | <b>Drip Proof</b>    | Overload Protector     | <b>Automatic</b>      |
| Ambient Temperature        | <b>40 °C</b>         | Drive End Bearing Size | <b>6203</b>           |
| Opp Drive End Bearing Size | <b>6203</b>          | UL                     | <b>Recognized</b>     |
| CSA                        | <b>Y</b>             | CE                     | <b>N</b>              |
| IP Code                    | <b>22</b>            |                        |                       |

**Technical Specifications**

|                   |  |                       |                                   |
|-------------------|--|-----------------------|-----------------------------------|
| Electrical Type   | <b>Capacitor Start Induction Run</b>   | Starting Method       | <b>Across The Line</b>            |
| Poles             | <b>4</b>                               | Rotation              | <b>Selective Counterclockwise</b> |
| Mounting          | <b>Resilient Base - Extended Studs</b> | Motor Orientation     | <b>Horizontal</b>                 |
| Drive End Bearing | <b>Ball</b>                            | Opp Drive End Bearing | <b>Ball</b>                       |
| Frame Material    | <b>Rolled Steel</b>                    | Shaft Type            | <b>Single Special Extension</b>   |
| Overall Length    | <b>9.95 in</b>                         | Shaft Diameter        | <b>0.500 in</b>                   |
| Shaft Extension   | <b>2.01 in</b>                         | Assembly/Box Mounting | <b>F1 Only</b>                    |
| Outline Drawing   | <b>52A111276P1</b>                     | Connection Diagram    | <b>52A105383AA</b>                |

**This is an uncontrolled document once printed or downloaded and is subject to change without notice. Date Created: 10/08/2018**

THIRD ANGLE PROJECTION



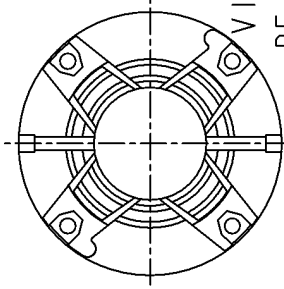
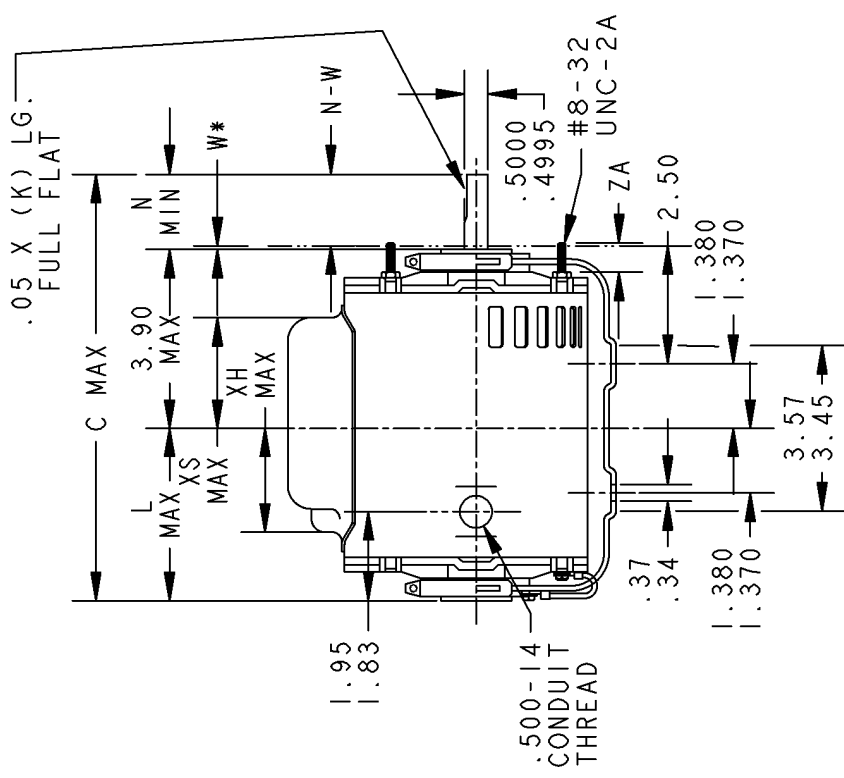
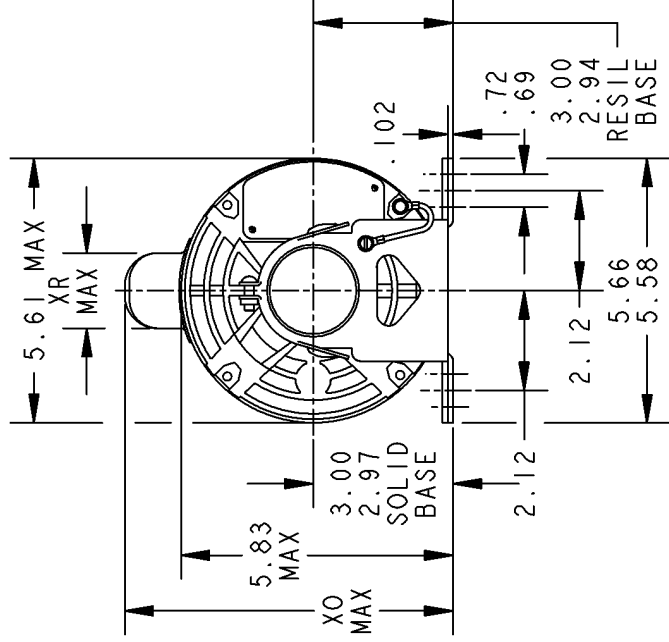
REVISIONS

| REV. | DESCRIPTION                     | DATE     | APPROVED  |
|------|---------------------------------|----------|-----------|
| 2    | CHG RESI BASE PER IS05-1477     | 07/07/05 | DURGA     |
| 3    | CHG TO RBC FORMAT PER IS05-1777 | 04/28/06 | PRAVEEN.K |

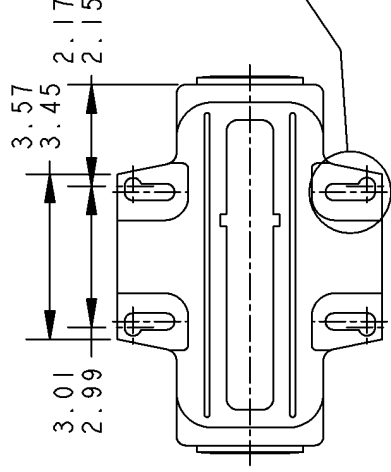
REV 3

52A11276

SIZE DRAWING NO. A



VIEW SHOWING PE VENTILATION OPENINGS



\*W IS A CLEARANCE DUE TO VARIATION IN PARTS & ASSEMBLY.

|    |      |         |         |      |      |      |      |      |      |      |      |      |      |     |
|----|------|---------|---------|------|------|------|------|------|------|------|------|------|------|-----|
| I  | KC   | 35      | 48Z     | 9.95 | 4.22 | 2.59 | 7.31 | 1.60 | 1.97 | 1.88 | 2.01 | 1.79 | 1.62 | .72 |
| PT | TYPE | GE SIZE | NEMA FR | C    | L    | XH   | XO   | XR   | XS   | N    | N-W  | K    | ZA   |     |

| SIGNATURES   |          | DATE     |
|--------------|----------|----------|
| MODEL        | DURGA    | 07/13/05 |
| DETAIL       | .        | .        |
| CHECKED      | .        | .        |
| ENGRG        | .        | .        |
| MFG          | .        | .        |
| QUALITY      | .        | .        |
| ISSUED       | DURGA    | 07/13/05 |
| SOLID MODEL: | 52A11276 |          |

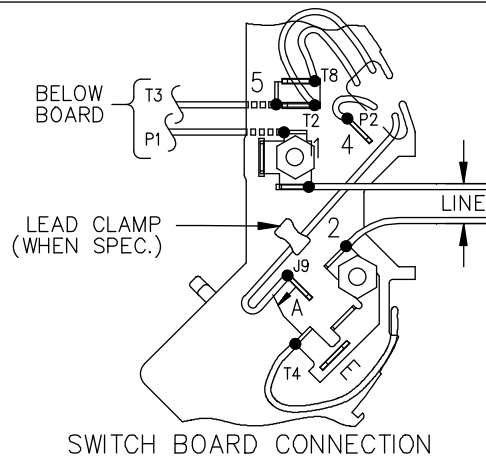
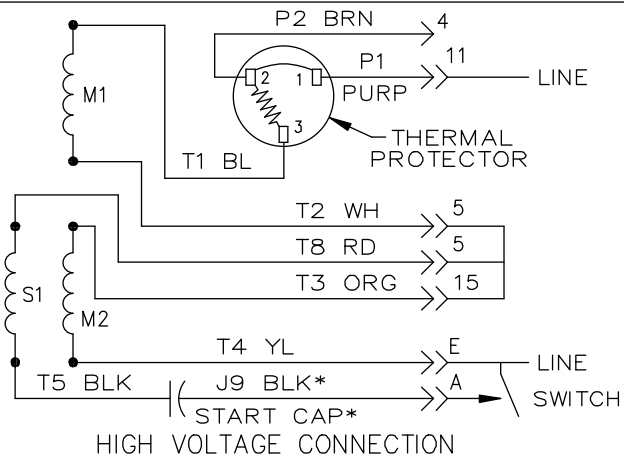
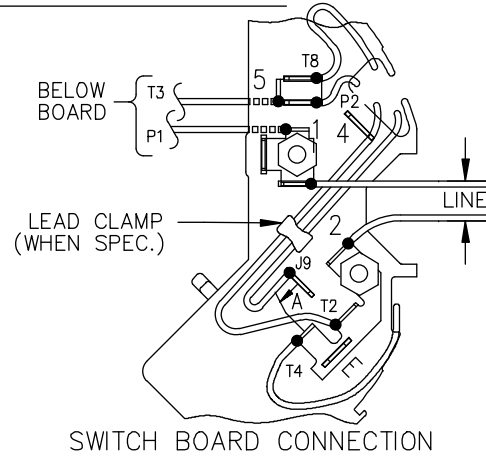
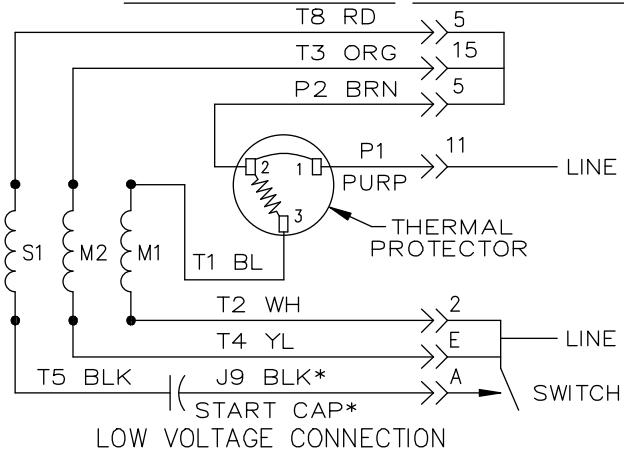
**REGAL-BELOIT CORPORATION**

TITLE

**OUTLINE**  
**FORM N-GENERAL PURPOSE MOTOR-DRIP PROOF-SOLID**  
**OR RESIL BASE-BALL OR SLEEVE BEARING**

| SIZE                    | DRAWING | REV          |
|-------------------------|---------|--------------|
| A                       |         | 3            |
| SCALE: 1.000 REF. No: . |         | SHEET 1 of 1 |


EITHER ROTATION, DUAL VOLTAGE, TYPE KC OR KH, WITH THERMAL PROTECTION



NOTE #1 - START CAP & J9 WHEN SPECIFIED (\*). IF NO CAPACITOR (KH), CONNECT T5 DIRECTLY TO SWITCH (A). WHEN MORE THAN ONE CAPACITOR IS USED, CONNECT IN PARALLEL.

NOTE #2 - TO REVERSE ROTATION, INTER CHANGE RD(T8) AND BLK(J9-KC OR T5-KH) LEADS.

|                         |                  |                             |
|-------------------------|------------------|-----------------------------|
| SWITCH REF. - 115D958AB | CONNECTION LABEL | CCW ROTATION: NP52X332051AA |
|                         |                  | CW ROTATION: NP52X332051AC  |

| NO.  | REVISION                               | BY & DATE   | CHK | ANG   | TOLERANCES UNLESS SPECIFIED |             | FINISH  | DRAWN M.D.P 06/29/87 |                     |
|--|--|-------------|-----|-------|-----------------------------|-------------|---|----------------------|---------------------|
|  |  |             |     |       | DEC.                        | INCHES      |   |                      |                     |
|  |  |             |     |       | .X                          | ±0.1        |  <b>REGAL-BELOIT CORPORATION</b> | CHK                  |                     |
|  |  |             |     |       | .XX                         | ±0.02       |   | TITLE                | APPD M.D.P 03/26/96 |
| 5  | ADDED CONNECTION LABEL PER ECO-0030779 | UD 02/06/13 | PKG | .XXX  | ±0.005                      |             | CONNECTION DIAGRAM<br>30 FRAME SWITCH REDESIGN  | SCALE 1=1            |                     |
| 4  | UPDATED PER ISO7-0150                  | MD 01/23/07 |     | .XXXX | ±0.0005                     | MAT'L.      |   | REF                  |                     |
|  |  |             |     |       | ±1.0                        |             |   | FMF                  |                     |
|  |  |             |     |       |                             |             |   | PREV                 |                     |
| THIS DRAWING IN DESIGN AND DETAIL IS OUR PROPERTY AND MUST NOT BE USED EXCEPT IN CONNECTION WITH OUR WORK. ALL RIGHTS OF DESIGN AND INVENTION ARE RESERVED. THIS IS AN ELECTRONICALLY GENERATED DOCUMENT - DO NOT SCALE THIS PRINT |  |             |     | RFP   | CAD FILE                    | 52A105383AA | SIZE  | DRAWING NO.          | REV.                |
|  |  |             |     | DIST  |                             |             | A   | 52A105383AA          | 5                   |