

PRODUCT INFORMATION PACKET

Model No: 048C34D2024
Catalog No: O010
1/3,3450,DP,48NZ,1/60/115/208-230
Single Phase



Regal and Marathon are trademarks of Regal Beloit Corporation or one of its affiliated companies.

©2018 Regal Beloit Corporation, All Rights Reserved. MC017097E





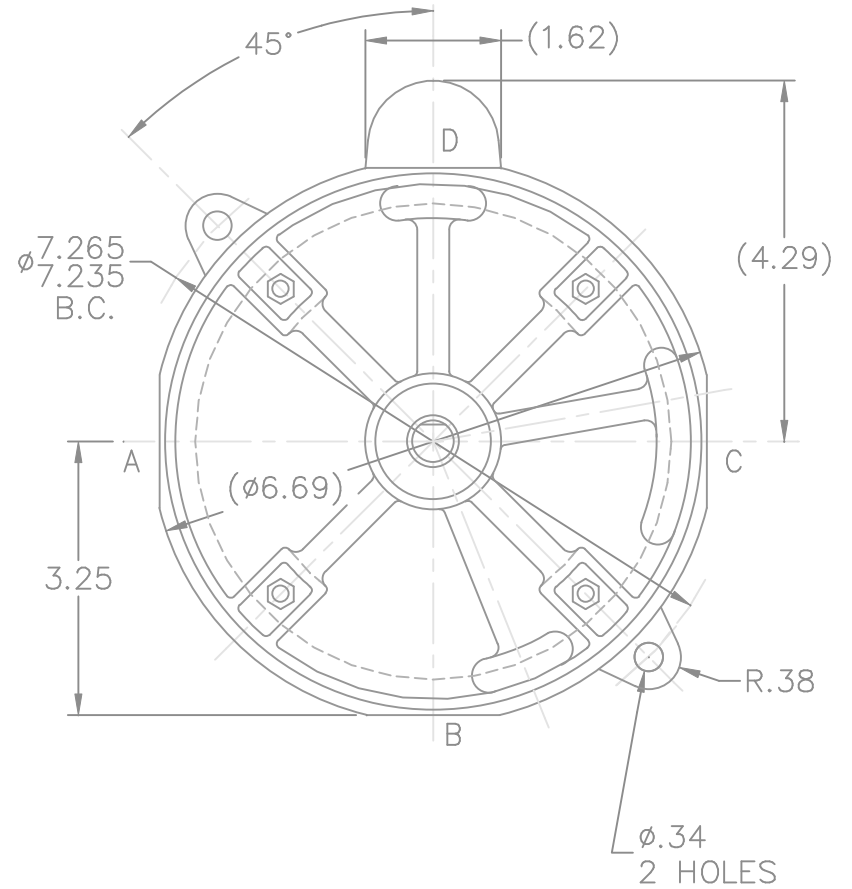
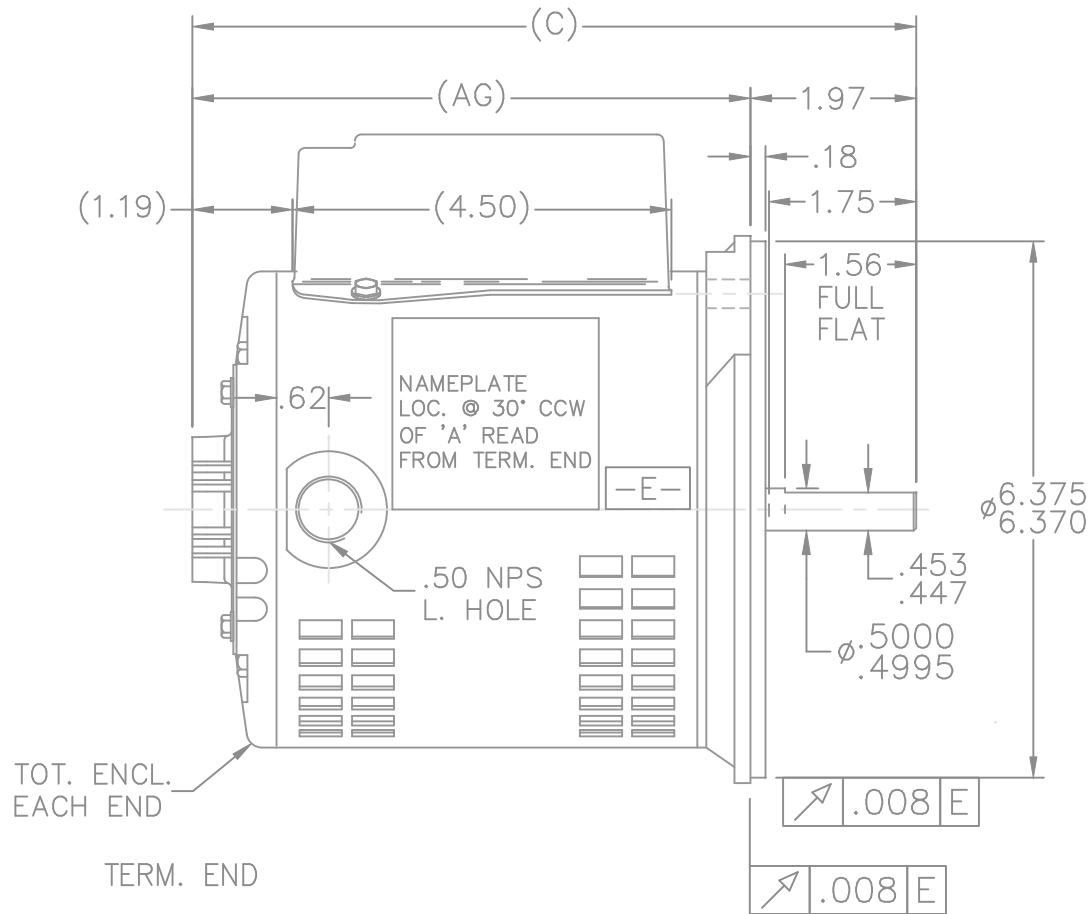
Nameplate Specifications

Output HP	0.33 Hp	Output KW	0.25 kW
Frequency	60 Hz	Voltage	115/208-230 V
Current	5.6/2.7-2.8 A	Speed	3450 rpm
Service Factor	1	Phase	1
Efficiency	64 %	Duty	Continuous
Insulation Class	B	Design Code	NO DESIGN CODE
KVA Code	L	Frame	48NZ
Enclosure	Drip Proof	Overload Protector	Manual
Ambient Temperature	40 °C	Drive End Bearing Size	6203
Opp Drive End Bearing Size	6203	UL	Recognized
CSA	Y	CE	Y
IP Code	12		

Technical Specifications

Electrical Type	Capacitor Start Induction Run	Starting Method	Across The Line
Poles	2	Rotation	Selective Counterclockwise
Mounting	Round	Motor Orientation	Horizontal
Drive End Bearing	Ball	Opp Drive End Bearing	Ball
Frame Material	Rolled Steel	Shaft Type	Single Special Extension
Overall Length	10.34 in	Frame Length	6.75 in
Shaft Diameter	0.500 in	Shaft Extension	1.94 in
Assembly/Box Mounting	F1 Only		
Outline Drawing	A-SS403778-675	Connection Diagram	A-EE9002M

This is an uncontrolled document once printed or downloaded and is subject to change without notice. Date Created: 06/29/2018

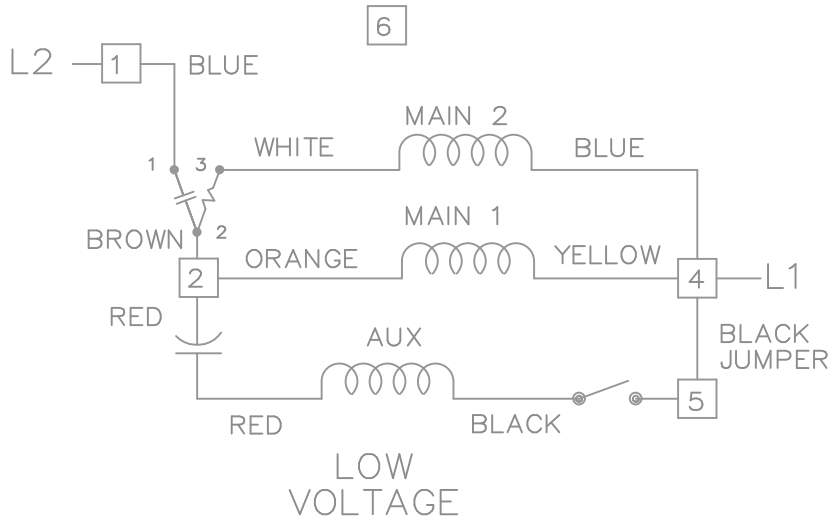


DASH	FRAME	C	AG
650	48N	10.09	8.12
675	48N	10.34	8.37

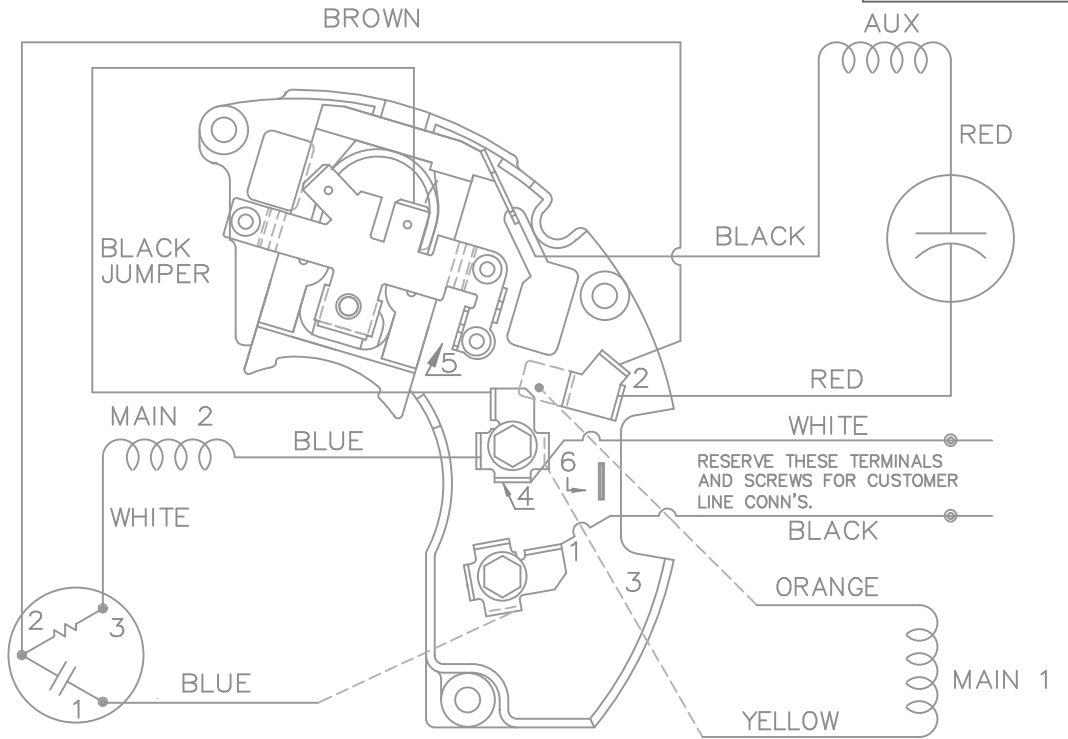
LEAD DESCRIPTION:
 2 LEADS, 1 BLACK, AND 1 WHITE,
 WITH .50 BARE WIRE STRIP 20.00"
 LONG. EXIT LEAD HOLE

				TOLERANCES UNLESS SPECIFIED			DRAWN SP 10-01-2008				
				DEC.	INCHES		CHK	NB 10-01-2008			
				.X	±.1	TITLE OUTLINE 48 FR. MAT'L. FINISH	APPD SP 10-01-2008				
				.XX	±.03		SCALE 7=16				
				.XXX	±.005		REF SS75917				
				.XXXX	±.0005		FMF 08-2130				
				ANG	±7'30"		PREV				
NO.	REVISION	BY & DATE	CHK	ANG	±7'30"	FINISH	SIZE	DRAWING NO.	PAGE	OF	REV.
			RFP			CAD FILE SS403778	A	SS403778			
			DIST	WP							

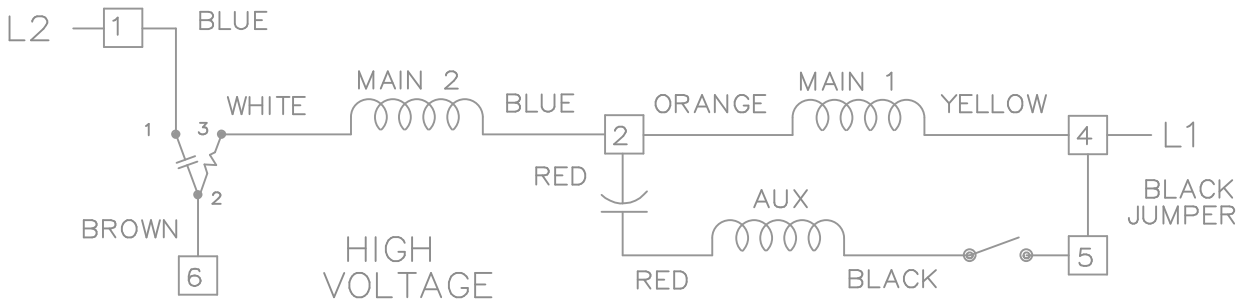
THIS DRAWING IN DESIGN AND DETAIL IS OUR PROPERTY AND MUST NOT BE USED EXCEPT IN CONNECTION WITH OUR WORK ALL RIGHTS OF DESIGN AND INVENTION ARE RESERVED THIS IS AN ELECTRONICALLY GENERATED DOCUMENT - DO NOT SCALE THIS PRINT



DUAL VOLTAGE CAPACITOR START REVERSIBLE ON TERM BOARD WITH OVERLOAD PROTECTION



LOW VOLTAGE CCW ROTATION SHOWN.



FOR HIGH VOLTAGE
CONNECT BROWN TERM 2 TO TERM 6.
CONNECT BLUE TERM 4 TO TERM 2.

TO REVERSE ROTATION EITHER
VOLTAGE INTERCHANGE RED
LEAD WITH BLACK LEAD.

				TOLERANCES UNLESS SPECIFIED		MARATHON ELECTRIC	DRAWN BW 02-22-1990				
				DEC.	INCHES		CHK	ML	02-22-1990		
				.X	± -		APPD	GK	02-22-1990	SCALE	1=1
3	ROUTING OF BLACK JUMPER	CN 35440	BJK 08-20-2002	.XX	± -	TITLE CONNECTION DIAGRAM				REF	
2	REVISED BLACK LINE LOCATION	CN 6427	RM 01-28-1991	.XXX	± -	48 FR. DUAL VOLTAGE REVERSIBLE					
1	NEW DRAWING		BW 02-22-1990	.XXXX	± -	MAT'L.				FMF	
NO.	REVISION		BY & DATE	CHK	ANG	FINISH <td></td> <td></td> <td></td> <td>PREV</td> <td></td>				PREV	
THIS DRAWING IN DESIGN AND DETAIL IS OUR PROPERTY AND MUST NOT BE USED EXCEPT IN CONNECTION WITH OUR WORK ALL RIGHTS OF DESIGN AND INVENTION ARE RESERVED THIS IS AN ELECTRONICALLY GENERATED DOCUMENT - DO NOT SCALE THIS PRINT				RFP		CAD FILE EE9002M	SIZE	DRAWING NO.	PAGE	OF	REV.
				DIST	WP		A	EE9002M			3

