

PRODUCT INFORMATION PACKET

Model No: 048S17D2052
Catalog No: B300
1/6,1725,DP,48Y,1/60/115
Fan and Blower



Regal and Marathon are trademarks of Regal Beloit Corporation or one of its affiliated companies.
©2018 Regal Beloit Corporation, All Rights Reserved. MC017097E



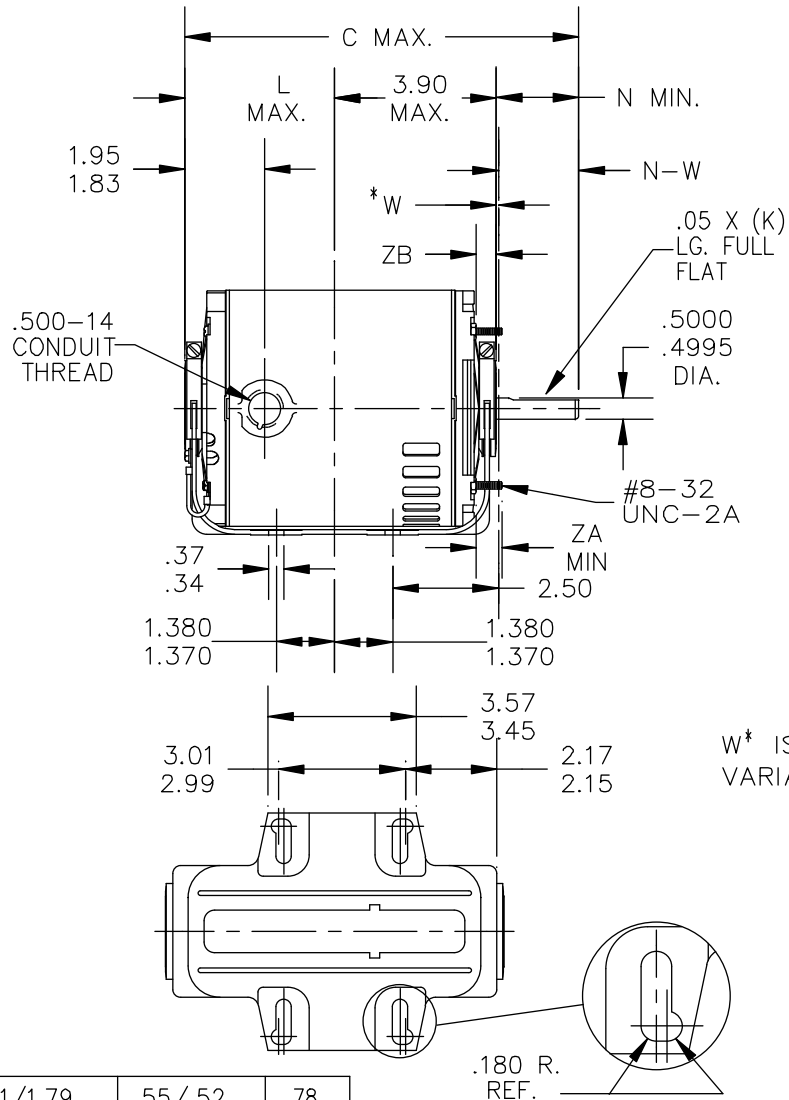
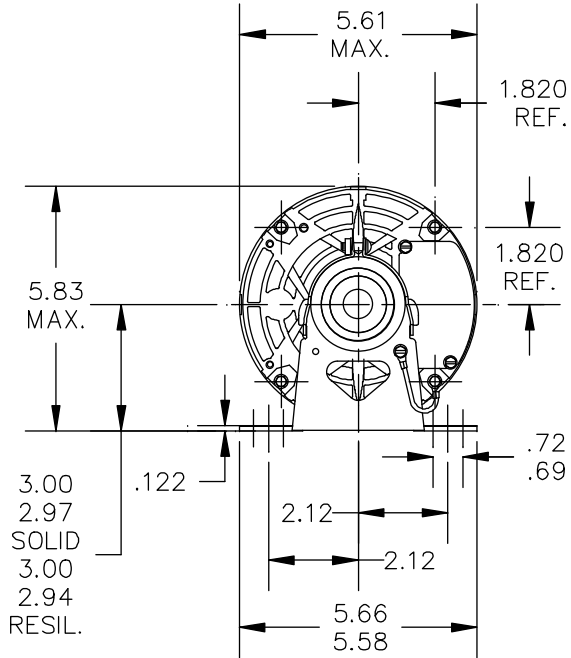
Nameplate Specifications

| | | | |
|----------------------------|-------------------|------------------------|-----------------------|
| Output HP | 0.17 Hp | Output KW | 0.13 kW |
| Frequency | 60 Hz | Voltage | 115 V |
| Current | 3.6 A | Speed | 1725 rpm |
| Service Factor | 1.35 | Phase | 1 |
| Efficiency | 55 % | Duty | Continous |
| Insulation Class | B | Design Code | NO DESIGN CODE |
| KVA Code | S | Frame | 48Y |
| Enclosure | Drip Proof | Overload Protector | No |
| Ambient Temperature | 40 °C | Drive End Bearing Size | 6203 |
| Opp Drive End Bearing Size | 6203 | UL | Recognized |
| CSA | Y | CE | N |
| IP Code | 22 | | |

Technical Specifications

| | | | |
|-------------------|--|-----------------------|-----------------------------------|
| Electrical Type | Split Phase | Starting Method | Across The Line |
| Poles | 4 | Rotation | Selective Counterclockwise |
| Mounting | Resilient Base - Extended Studs | Motor Orientation | Horizontal |
| Drive End Bearing | Ball | Opp Drive End Bearing | Ball |
| Frame Material | Rolled Steel | Shaft Type | Single Special Extension |
| Overall Length | 9.32 in | Shaft Diameter | 0.500 in |
| Shaft Extension | 1.88 in | Assembly/Box Mounting | F1 Only |
| Outline Drawing | 52A111273P1 | Connection Diagram | 52A105377AA |

This is an uncontrolled document once printed or downloaded and is subject to change without notice. Date Created: 10/08/2018



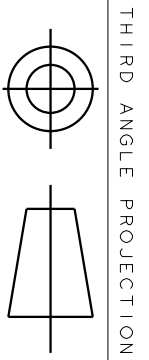
W* IS A CLEARNCE DUE TO VARIATION IN PARTS AND ASSEMBLY.

| | | | | | | | | | | |
|---|------|----------|---------|-------|------|------|------|-----------|---------|-----|
| 2 | KH | 36 | 48Y | 10.32 | 1.62 | 4.50 | 1.88 | 2.01/1.79 | .55/.52 | .78 |
| 1 | KH | 32 | 48Y | 9.32 | 1.62 | 3.59 | 1.88 | 2.01/1.79 | .55/.52 | .78 |
| P | TYPE | RBC SIZE | NEMA FR | C | K | L | N | N-W | ZB | ZA |

| NO. | REVISION | BY & DATE | CHK | TOLERANCES UNLESS SPECIFIED | |
|-----|--------------------------------------|--------------|-----|-----------------------------|---------|
| | | | | DEC. | INCHES |
| 5 | LOGO WAS DAYTON | PVR 06/13/13 | ST | .X | ±0.1 |
| 4 | CHANGED 'ZA' DIMENSION PER IS12-5406 | UD 11/07/12 | DS | .XX | ±0.02 |
| 3 | UPDATED AS PER IS05-2299 | PKG 09/14/05 | | .XXX | ±0.005 |
| 2 | CHG MADE PER IS05-1477 | PKG 06/29/05 | | .XXXX | ±0.0005 |
| | | | | ANG | ±7'30" |

| | |
|--------|--------------------------------|
| | DRAWN DS 01/05/05 |
| | CHK |
| | APPD DS 01/05/05 |
| | SCALE 1=1 |
| | REF |
| TITLE | OUTLINE |
| | DRIP PROOF- RESIL. BASE - BALL |
| MAT'L. | |
| FINISH | |

| | | | | | | | | |
|--|--|--|------|----------|-----------|------|-------------|------|
| THIS DRAWING IN DESIGN AND DETAIL IS OUR PROPERTY AND MUST NOT BE USED EXCEPT IN CONNECTION WITH OUR WORK ALL RIGHTS OF DESIGN AND INVENTION ARE RESERVED THIS IS AN ELECTRONICALLY GENERATED DOCUMENT - DO NOT SCALE THIS PRINT | | | RFP | CAD FILE | 52A111273 | SIZE | DRAWING NO. | REV. |
| | | | DIST | | | A | 52A111273 | 5 |

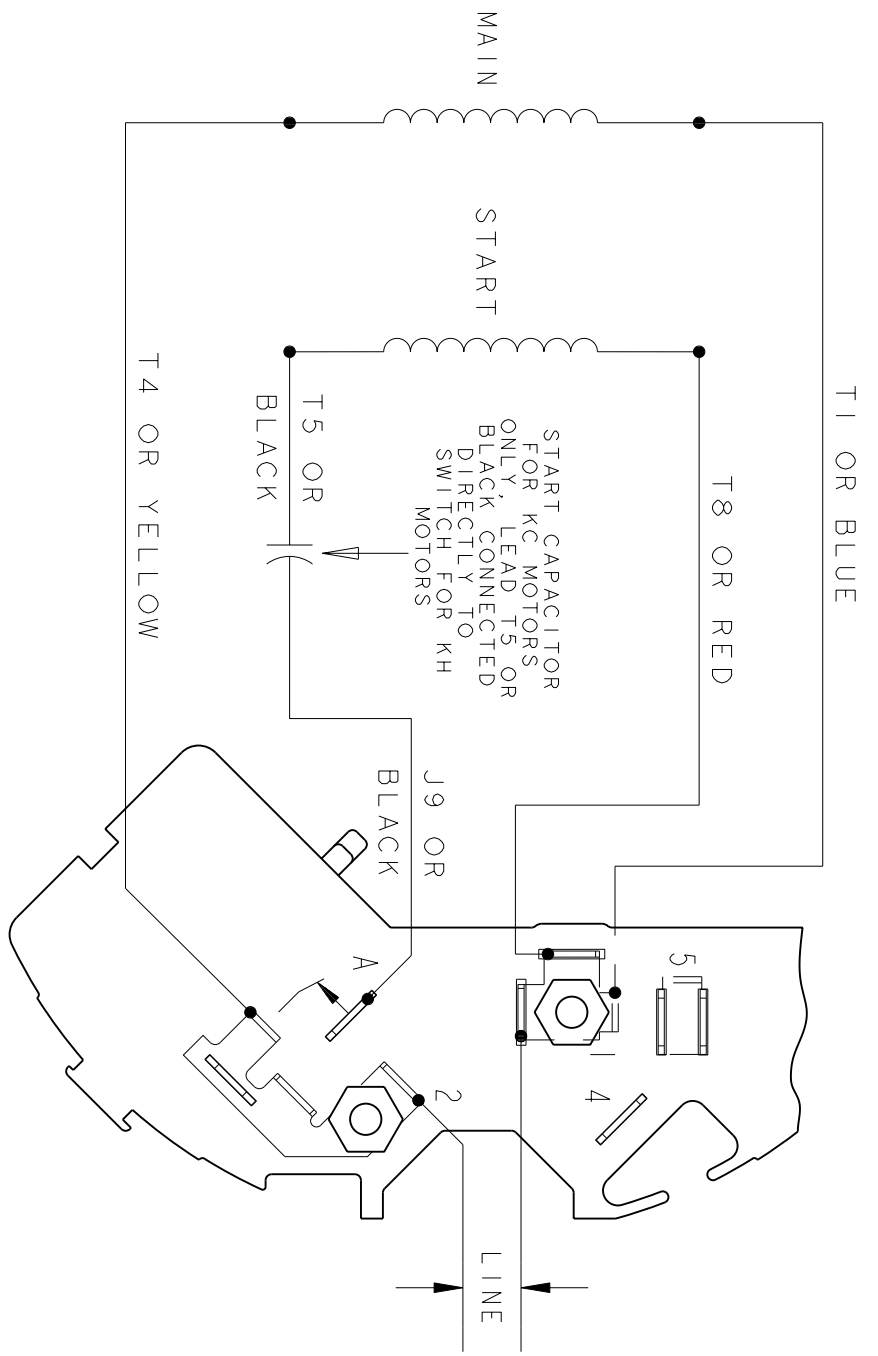


THIRD ANGLE PROJECTION

REVISIONS

| REV. | DESCRIPTION | DATE | APPROVED |
|------|----------------|----------|----------|
| 1 | UPDATED FORMAT | 11/10/05 | MAM |

EITHER ROTATION - SINGLE VOLTAGE
TYPE KC, OR KH



NOTE #1 - TO REVERSE ROTATION INTERCHANGE BLACK (T5-KH OR J9-KC) AND RED (T8) LEADS.

NOTE #2 - WHEN MORE THAN ONE CAPACITOR IS USED CONNECT IN PARALLEL.

| | | | |
|--------------------------------------|--|------------------------|--|
| REF. DIAG. - 121A850 | | SWITCH (C) - 115D958AB | |
| CONNECTION LABEL - 52X332047 | | | |
| | | | |
| REGAL-BELOLT CORPORATION | | | |
| CONNECTION DIAGRAM | | | |
| FME: 30 FRAME SWITCH REDESIGN | | | |
| M.F.G | | M.D.P. | |
| CHECKED | | ISSUED | |
| ENGRG | | M.D.P. | |
| M.F.G | | M.D.P. | |
| QUALITY | | M.D.P. | |
| ISSUED | | M.D.P. | |
| MATERIAL | | MATERIAL | |
| SOLID MODEL: 52A105377AA | | SCALE: 1.000 | |
| REF. No: | | REF. No: | |
| SHEET 1 of 1 | | SHEET 1 of 1 | |

** Subject to change without notice.