

# PRODUCT INFORMATION PACKET

Model No: 048S17D2054  
Catalog No: B302  
1/4,1725,DP,48Y,1/60/115  
Fan and Blower



Regal and Marathon are trademarks of Regal Beloit Corporation or one of its affiliated companies.  
©2018 Regal Beloit Corporation, All Rights Reserved. MC017097E





### Nameplate Specifications

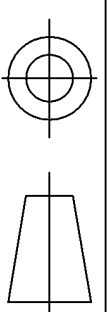
Output HP	<b>0.25 Hp</b>	Output KW	<b>0.19 kW</b>
Frequency	<b>60 Hz</b>	Voltage	<b>115 V</b>
Current	<b>5.0 A</b>	Speed	<b>1725 rpm</b>
Service Factor	<b>1.35</b>	Phase	<b>1</b>
Efficiency	<b>57.5 %</b>	Duty	<b>Continuous</b>
Insulation Class	<b>B</b>	Design Code	<b>NO DESIGN CODE</b>
KVA Code	<b>P</b>	Frame	<b>48Z</b>
Enclosure	<b>Drip Proof</b>	Overload Protector	<b>No</b>
Ambient Temperature	<b>40 °C</b>	Drive End Bearing Size	<b>6203</b>
Opp Drive End Bearing Size	<b>6203</b>	UL	<b>Recognized</b>
CSA	<b>Y</b>	CE	<b>N</b>
IP Code	<b>22</b>		

### Technical Specifications

Electrical Type	<b>Split Phase</b>	Starting Method	<b>Across The Line</b>
Poles	<b>4</b>	Rotation	<b>Selective Counterclockwise</b>
Mounting	<b>Resilient Base - Extended Studs</b>	Motor Orientation	<b>Horizontal</b>
Drive End Bearing	<b>Ball</b>	Opp Drive End Bearing	<b>Ball</b>
Frame Material	<b>Rolled Steel</b>	Shaft Type	<b>Single Special Extension</b>
Overall Length	<b>9.57 in</b>	Shaft Diameter	<b>0.500 in</b>
Shaft Extension	<b>2.01 in</b>	Assembly/Box Mounting	<b>F1 Only</b>
Outline Drawing	<b>52A111268P1</b>	Connection Diagram	<b>52A105377AA</b>

This is an uncontrolled document once printed or downloaded and is subject to change without notice. Date Created: 06/29/2018

THIRD ANGLE PROJECTION



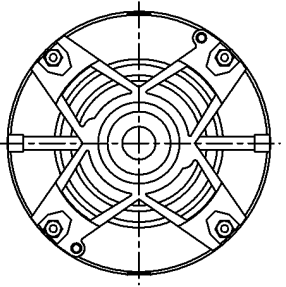
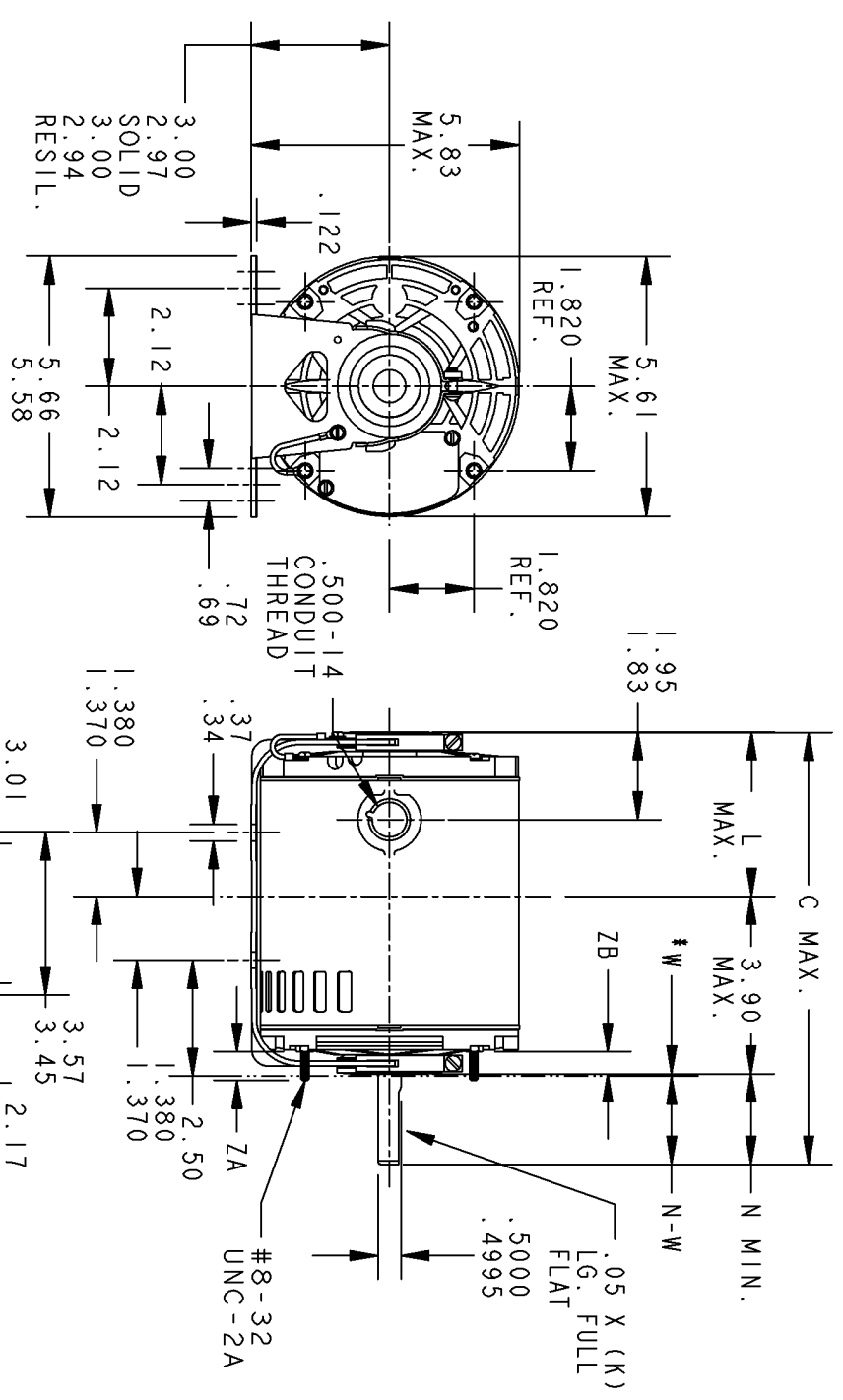
REVISIONS

REV.	DESCRIPTION	DATE	APPROVED
4	UPDATED FORMAT	10/05/05	MAM

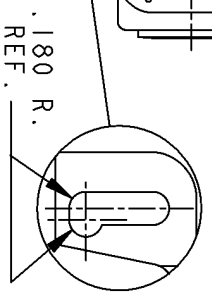
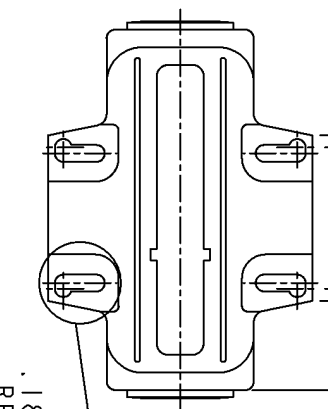
REV 4

52A111268

SIZE A DRAWING NO.



VIEW SHOWING P.E. VENTILATION OPENINGS



W\* IS A CLEARANCE DUE TO VARIATION IN PARTS AND ASSEMBLY

I	KH	33	48Y	9.57	1.62	3.84	1.88	2.01/1.79	.55/.52	.76
P	TYPE	GE SIZE	NEMA FR	C	K	L	N	N-W	ZB	ZA



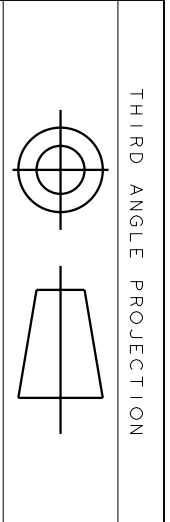
REGAL-BELOIT CORPORATION

TITLE  
**FORM N - GENERAL PURPOSE MOTOR - DRIP PROOF  
RESIL. BASE - BALL BEARING**

SIGNATURES		DATE
MODEL	DURGA	12/15/04
DETAIL		
CHECKED		
ENGR		
MFG		
QUALITY		
ISSUED	DURGA	12/15/04
SOLID MODEL: 52A111268		

SIZE	DRAWING	REV
A	4	4

SCALE: 1.000 REF. No: . SHEET 1 of 1

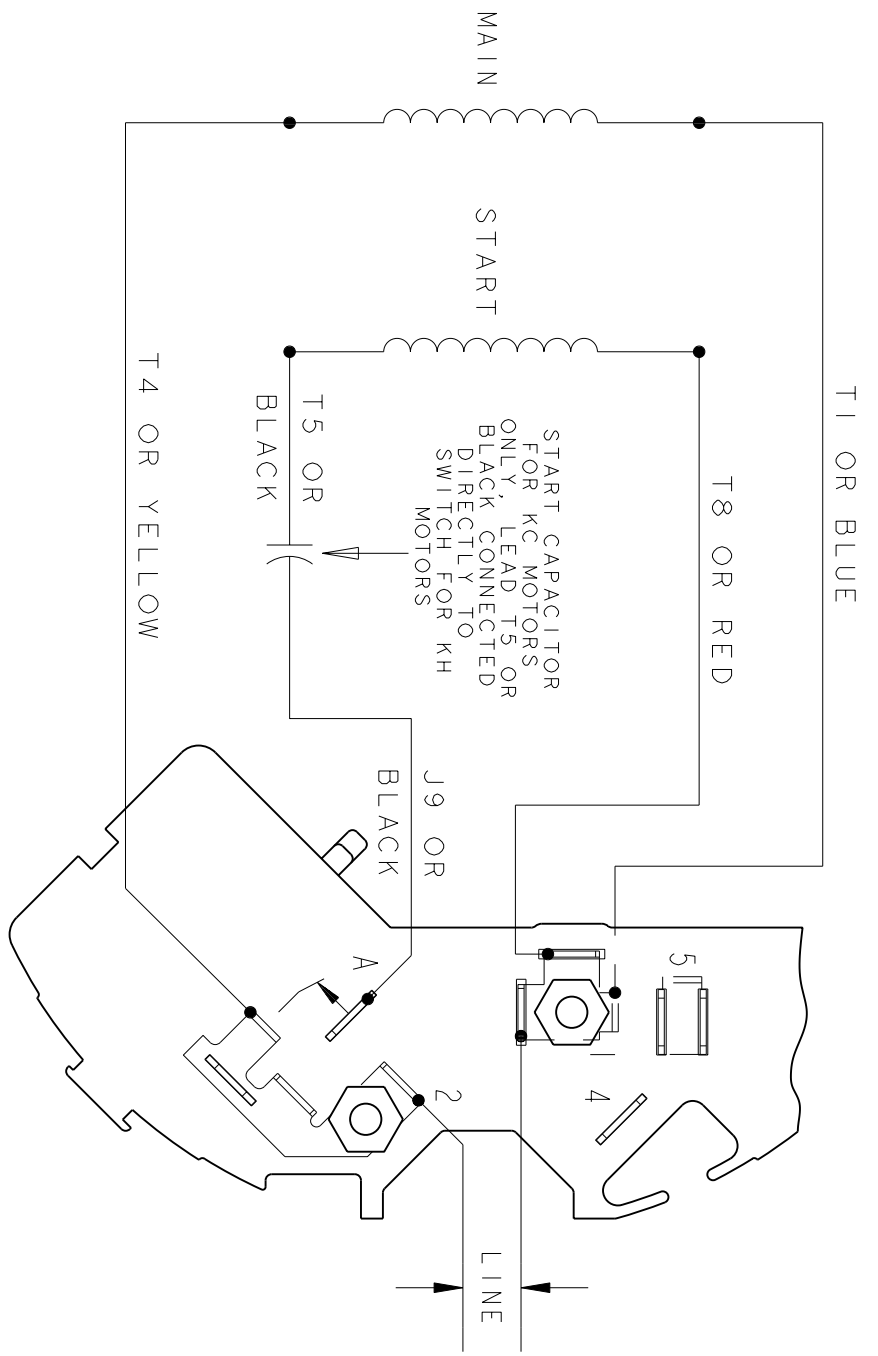


THIRD ANGLE PROJECTION

REVISIONS

REV.	DESCRIPTION	DATE	APPROVED
1	UPDATED FORMAT	11/10/05	MAM

EITHER ROTATION - SINGLE VOLTAGE  
TYPE KC, OR KH



NOTE #1 - TO REVERSE ROTATION INTERCHANGE BLACK (T5-KH OR J9-KC) AND RED (T8) LEADS.

NOTE #2 - WHEN MORE THAN ONE CAPACITOR IS USED CONNECT IN PARALLEL.

REF. DIAG. - 121A850		SWITCH (C) - 115D958AB	
CONNECTION LABEL - 52X332047			
SIGNATURES			
DATE	M.D. PAPER		
06/29/87			
MODEL			
DETAIL			
CHECKED			
ENGRG			
MFG			
QUALITY			
ISSUED	M.D. P.		
06/29/87			
FOR ADDITIONAL INFO REFER TO:			
APPLIED PRACTICES			
DIMENSIONS ARE IN INCHES			
MATERIAL	SOLID MODEL: 52A105377AA		



REGAL-BELOLT CORPORATION

TITLE  
CONNECTION DIAGRAM

FME: 30 FRAME SWITCH REDESIGN

52A105377AA

SCALE: 1.000 REF. No.: SHEET 1 of 1