

# PRODUCT INFORMATION PACKET

Model No: 048S17D2056  
Catalog No: B304  
1/3,1800,DP,48Y,1/60/115  
Fan and Blower



Regal and Marathon are trademarks of Regal Beloit Corporation or one of its affiliated companies.  
©2018 Regal Beloit Corporation, All Rights Reserved. MC017097E



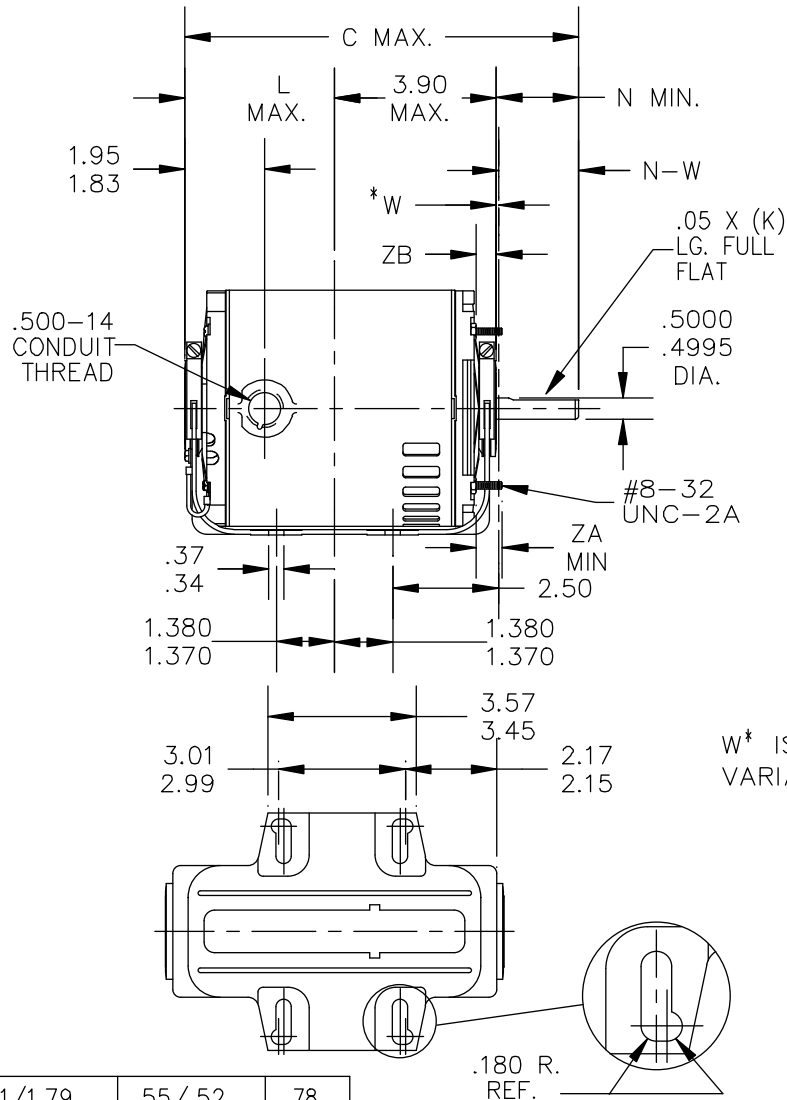
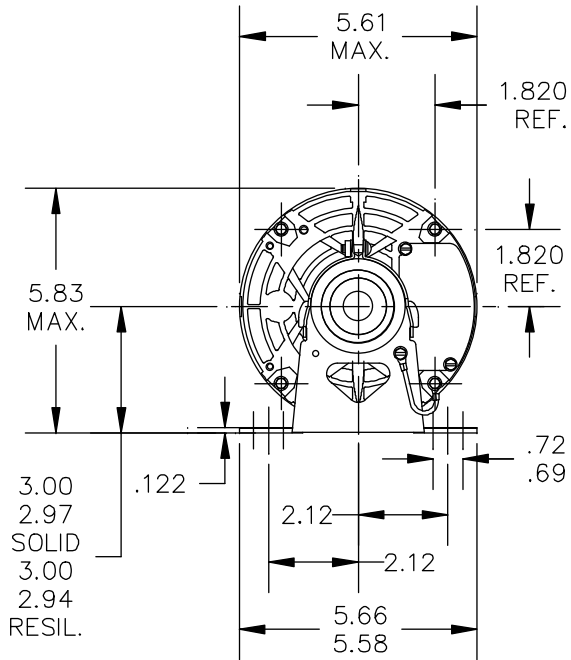
**Nameplate Specifications**

Output HP	<b>0.33 Hp</b>	Output KW	<b>0.25 kW</b>
Frequency	<b>60 Hz</b>	Voltage	<b>115 V</b>
Current	<b>5.5 A</b>	Speed	<b>1725 rpm</b>
Service Factor	<b>1.35</b>	Phase	<b>1</b>
Efficiency	<b>64 %</b>	Duty	<b>Continuous</b>
Insulation Class	<b>B</b>	Design Code	<b>NO DESIGN CODE</b>
KVA Code	<b>M</b>	Frame	<b>48Y</b>
Enclosure	<b>Drip Proof</b>	Overload Protector	<b>No</b>
Ambient Temperature	<b>40 °C</b>	Drive End Bearing Size	<b>6203</b>
Opp Drive End Bearing Size	<b>6203</b>	UL	<b>Recognized</b>
CSA	<b>Y</b>	CE	<b>N</b>
IP Code	<b>22</b>		

**Technical Specifications**

Electrical Type	<b>Split Phase</b>	Starting Method	<b>Across The Line</b>
Poles	<b>4</b>	Rotation	<b>Selective Counterclockwise</b>
Mounting	<b>Resilient Base - Extended Studs</b>	Motor Orientation	<b>Horizontal</b>
Drive End Bearing	<b>Ball</b>	Opp Drive End Bearing	<b>Ball</b>
Frame Material	<b>Rolled Steel</b>	Shaft Type	<b>Single Special Extension</b>
Overall Length	<b>9.32 in</b>	Shaft Diameter	<b>0.500 in</b>
Shaft Extension	<b>2.01 in</b>	Assembly/Box Mounting	<b>F1 Only</b>
Outline Drawing	<b>52A111273P1</b>	Connection Diagram	<b>52A105377AA</b>

**This is an uncontrolled document once printed or downloaded and is subject to change without notice. Date Created: 10/08/2018**



W\* IS A CLEARNCE DUE TO VARIATION IN PARTS AND ASSEMBLY.

2	KH	36	48Y	10.32	1.62	4.50	1.88	2.01/1.79	.55/.52	.78
1	KH	32	48Y	9.32	1.62	3.59	1.88	2.01/1.79	.55/.52	.78
P	TYPE	RBC SIZE	NEMA FR	C	K	L	N	N-W	ZB	ZA

NO.	REVISION	BY & DATE	CHK	TOLERANCES UNLESS SPECIFIED	
				DEC.	INCHES
5	LOGO WAS DAYTON	PVR 06/13/13	ST	.X	±0.1
4	CHANGED 'ZA' DIMENSION PER IS12-5406	UD 11/07/12	DS	.XX	±0.02
3	UPDATED AS PER IS05-2299	PKG 09/14/05		.XXX	±0.005
2	CHG MADE PER IS05-1477	PKG 06/29/05		.XXXX	±0.0005
				ANG	±7'30"

**MARATHON**  
ELECTRIC

TITLE: **OUTLINE**  
DRIP PROOF- RESIL. BASE - BALL

DRAWN DS 01/05/05

CHK

APPD DS 01/05/05

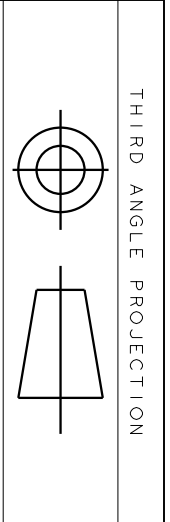
SCALE 1=1

REF

FMF

PREV

<p>THIS DRAWING IN DESIGN AND DETAIL IS OUR PROPERTY AND MUST NOT BE USED EXCEPT IN CONNECTION WITH OUR WORK ALL RIGHTS OF DESIGN AND INVENTION ARE RESERVED THIS IS AN ELECTRONICALLY GENERATED DOCUMENT - DO NOT SCALE THIS PRINT</p>	<p>RFP</p> <p>DIST</p>	<p>CAD FILE 52A111273</p>	<p>SIZE A</p>	<p>DRAWING NO. 52A111273</p>	<p>REV. 5</p>
---	------------------------	---------------------------	---------------	------------------------------	---------------

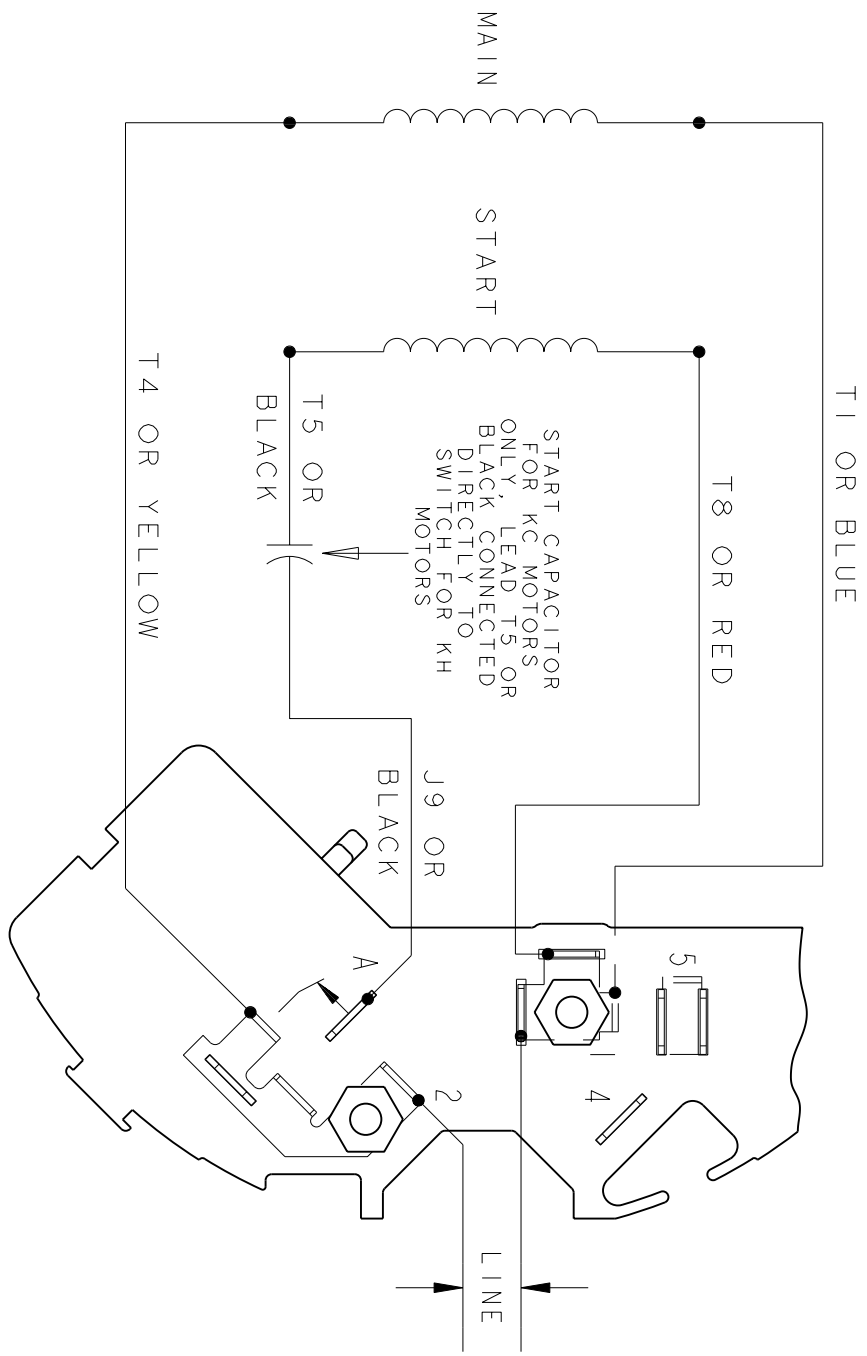


THIRD ANGLE PROJECTION

REVISIONS

REV.	DESCRIPTION	DATE	APPROVED
1	UPDATED FORMAT	11/10/05	MAM

EITHER ROTATION - SINGLE VOLTAGE  
TYPE KC, OR KH



NOTE #1 - TO REVERSE ROTATION INTERCHANGE BLACK (T5-KH OR J9-KC) AND RED (T8) LEADS.

NOTE #2 - WHEN MORE THAN ONE CAPACITOR IS USED CONNECT IN PARALLEL.

REF. DIAG. - 121A850		SWITCH (C) - 115D958AB	
CONNECTION LABEL - 52X332047			
<p><b>REGAL-BELOLT CORPORATION</b></p>			
<p><b>CONNECTION DIAGRAM</b></p>			
<p><b>FME: 30 FRAME SWITCH REDESIGN</b></p>			
M.F.G.		REV	
QUALITY		1	
ISSUED		M.D.P.	
M.D.P.		06/29/87	
CHECKED			
ENGRG			
FOR ADDITIONAL INFO REFER TO:			
APPLIED PRACTICES		DIMENSIONS ARE IN INCHES	
MATERIAL		SOLID MODEL: 52A105377AA	
SIGNATURES		DATE	
M.D.PAPE		06/29/87	
DETAIL			
CHECKED			
ENGRG			
M.F.G.			
QUALITY			
ISSUED		M.D.P.	
M.D.P.		06/29/87	
SCALE: 1.000		REF. No:	
SIZE DRAWING		A	
TITLE		FME: 30 FRAME SWITCH REDESIGN	
REGAL-BELOLT CORPORATION		52A105377AA	
CONNECTION DIAGRAM		SHEET 1 of 1	