

PRODUCT INFORMATION PACKET

Model No: 048S17D2116
Catalog No: B606
1/4,1725,DP,48Z,1/60/277
Fan and Blower



Regal and Marathon are trademarks of Regal Beloit Corporation or one of its affiliated companies.

©2018 Regal Beloit Corporation, All Rights Reserved. MC017097E



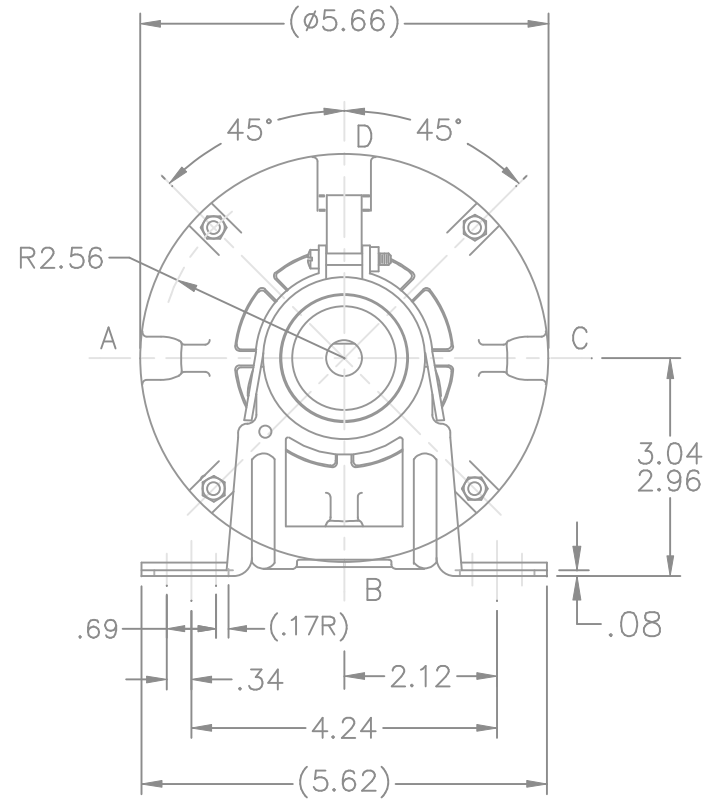
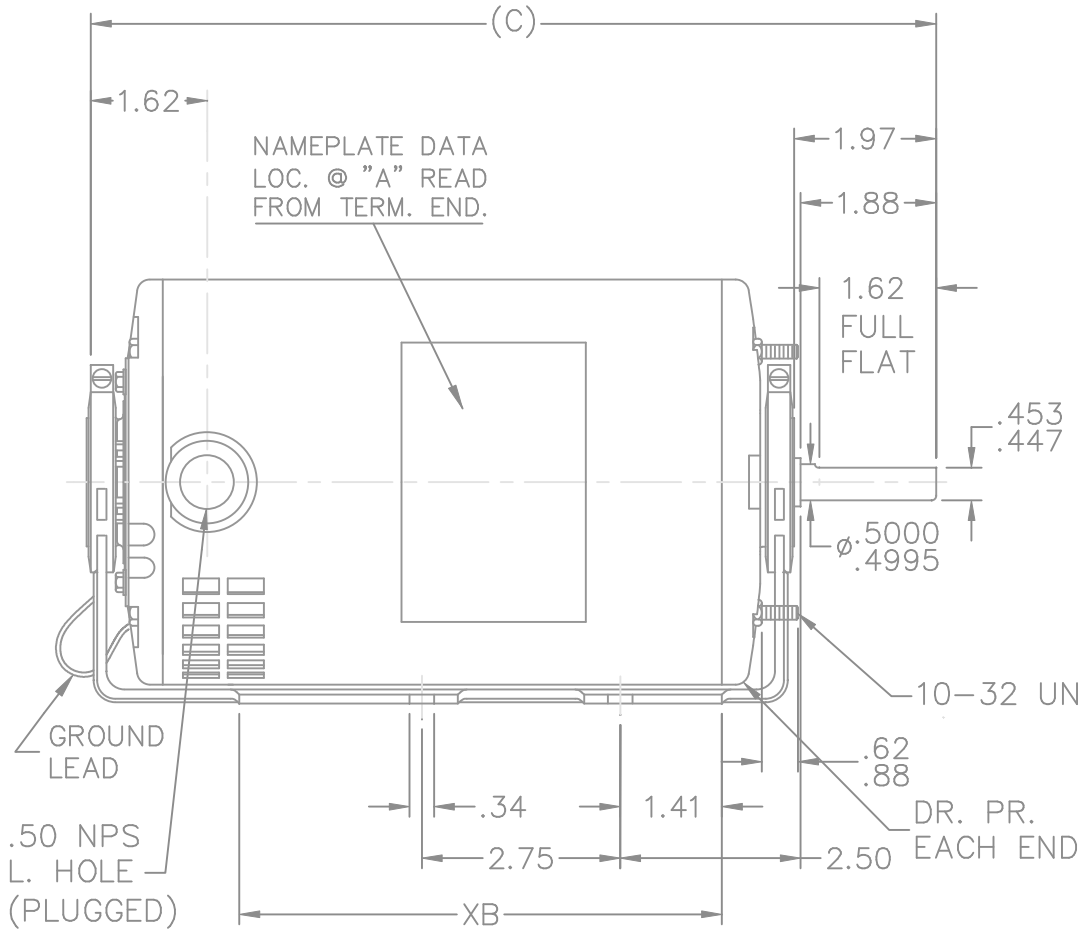


Nameplate Specifications

Output HP	0.25 Hp	Output KW	0.19 kW
Frequency	60 Hz	Voltage	277 V
Current	2.1 A	Speed	1725 rpm
Service Factor	1.35	Phase	1
Efficiency	59.5 %	Duty	Continuous
Insulation Class	B	Design Code	NO DESIGN CODE
KVA Code	P	Frame	48Z
Enclosure	Drip Proof	Overload Protector	No
Ambient Temperature	40 °C	Drive End Bearing Size	6203
Opp Drive End Bearing Size	6203	UL	Recognized
CSA	Y	CE	N
IP Code	22		

Technical Specifications

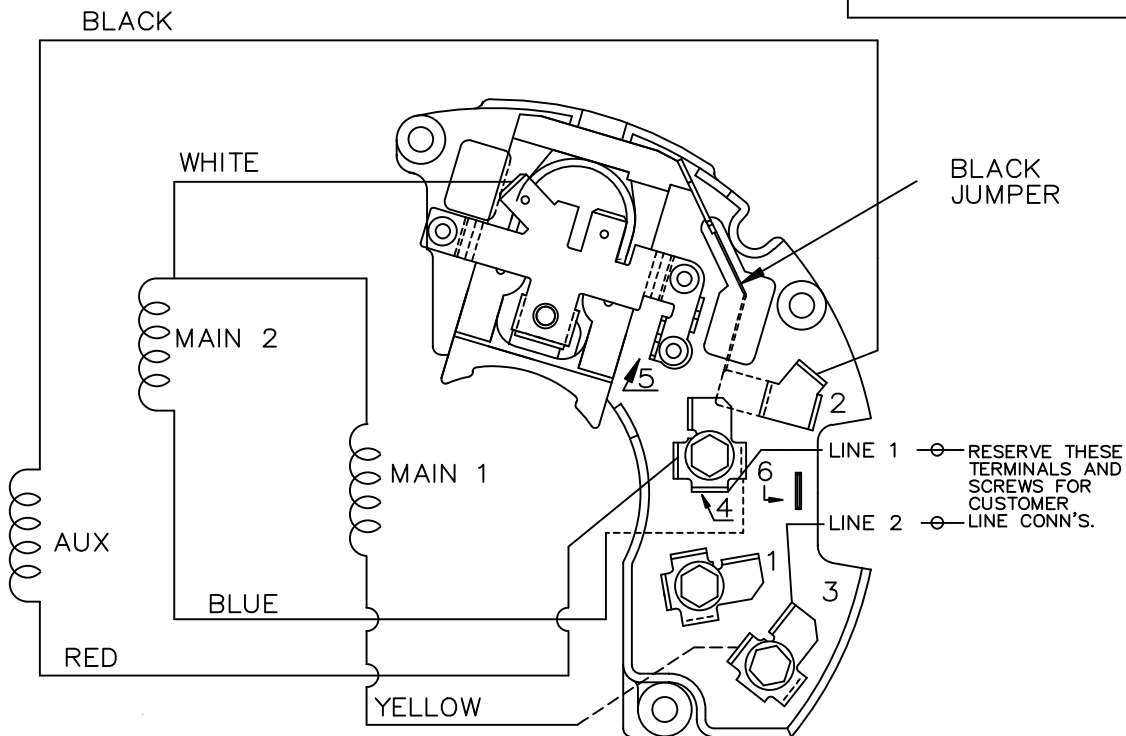
Electrical Type	Split Phase	Starting Method	Across The Line
Poles	4	Rotation	Selective Counterclockwise
Mounting	Resilient Base - Extended Studs	Motor Orientation	Horizontal
Drive End Bearing	Ball	Opp Drive End Bearing	Ball
Frame Material	Rolled Steel	Shaft Type	Single Special Extension
Overall Length	9.47 in	Frame Length	5.50 in
Shaft Diameter	0.500 in	Shaft Extension	1.97 in
Assembly/Box Mounting	F1 Only		
Outline Drawing	A-SS75570-550	Connection Diagram	A-EE7195AS



TERM. END

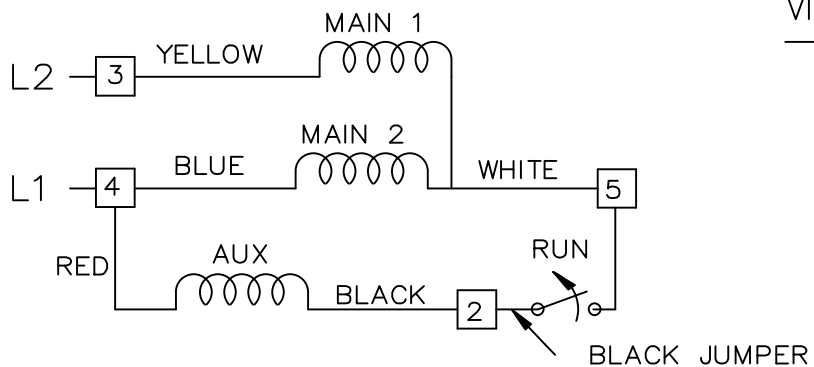
DASH	FRAME	XB	C	DASH	FRAME	XB	C
550	48	5.69	9.47	650	48	6.69	10.47
575	48	5.94	9.72				
625	48	6.44	10.22				

				TOLERANCES UNLESS SPECIFIED			DRAWN RM 05-26-1992				
				DEC.	INCHES		CHK ML 05-26-1992				
				.X	±.1	TITLE OUTLINE	APPD GK 05-26-1992				
3	UPDATED DRAWING		TJW 04/20/2007	.XX	±.03		SCALE 3=8				
2	REDRAWN IN AUTOCAD		TAT 08-03-2004	ML	.XXX	±.005	REF				
1	NEW DRAWING		3917460 RM 05-28-1992		.XXXX	±.0005	FMF				
NO.	REVISION		BY & DATE	CHK	ANG	±'	PREV				
THIS DRAWING IN DESIGN AND DETAIL IS OUR PROPERTY AND MUST NOT BE USED EXCEPT IN CONNECTION WITH OUR WORK ALL RIGHTS OF DESIGN AND INVENTION ARE RESERVED THIS IS AN ELECTRONICALLY GENERATED DOCUMENT - DO NOT SCALE THIS PRINT				RFP	CAD FILE ss75570		SIZE A	DRAWING NO. SS75570	PAGE	OF	REV. 3
				DIST	WP						




SINGLE HIGH VOLTAGE CAPACITOR START
REVERSIBLE ON TERM BOARD
NO OVERLOAD PROTECTION

VIEWING TERM END



CCW ROTATION SHOWN

TO REVERSE ROTATION INTERCHANGE
RED LEAD WITH BLACK LEAD

			TOLERANCES UNLESS SPECIFIED		 REGAL-BELOIT CORPORATION	DRAWN	
			DEC.	INCHES		CHK	
			.X	± -			TJW 6/28/2010
			.XX	± -			CTO 6/28/2010
			.XXX	± -			EH 6/28/2010
			.XXXX	± -	TITLE CONNECTION DIAGRAM 48 FR. SINGLE VOLTAGE REVERSIBLE	SCALE	
					MAT'L.	REF	
					FINISH	FMF ISAAC10-2159	
NO.	REVISION	BY & DATE	CHK	ANG	± -	PREV	
			RFP	6/28/2010	CAD FILE EE7195AS	SIZE A	DRAWING NO. EE7195AS
THIS DRAWING IN DESIGN AND DETAIL IS OUR PROPERTY AND MUST NOT BE USED EXCEPT IN CONNECTION WITH OUR WORK ALL RIGHTS OF DESIGN AND INVENTION ARE RESERVED THIS IS AN ELECTRONICALLY GENERATED DOCUMENT - DO NOT SCALE THIS PRINT 6/28/2010 11:16:10 AM						PAGE OF	REV.

** Subject to change without notice.