

PRODUCT INFORMATION PACKET

Model No: 048S17S25
Catalog No: O002
1/4,1725,SEMI,48N,1/60/115
Single Phase



Regal and Marathon are trademarks of Regal Beloit Corporation or one of its affiliated companies.

©2018 Regal Beloit Corporation, All Rights Reserved. MC017097E



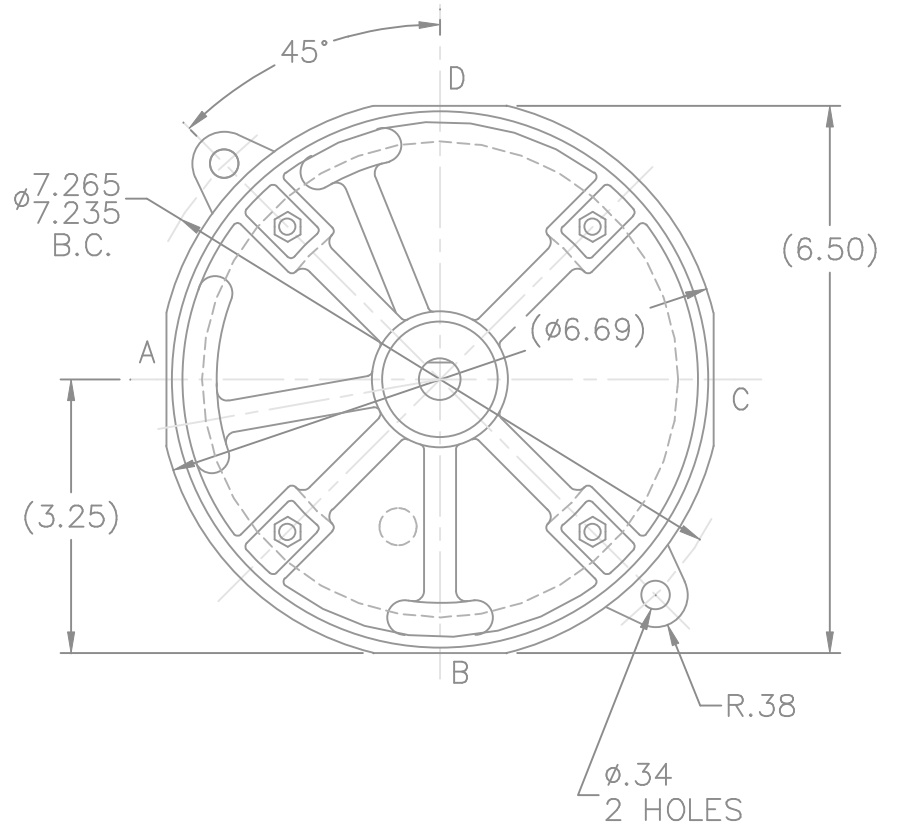
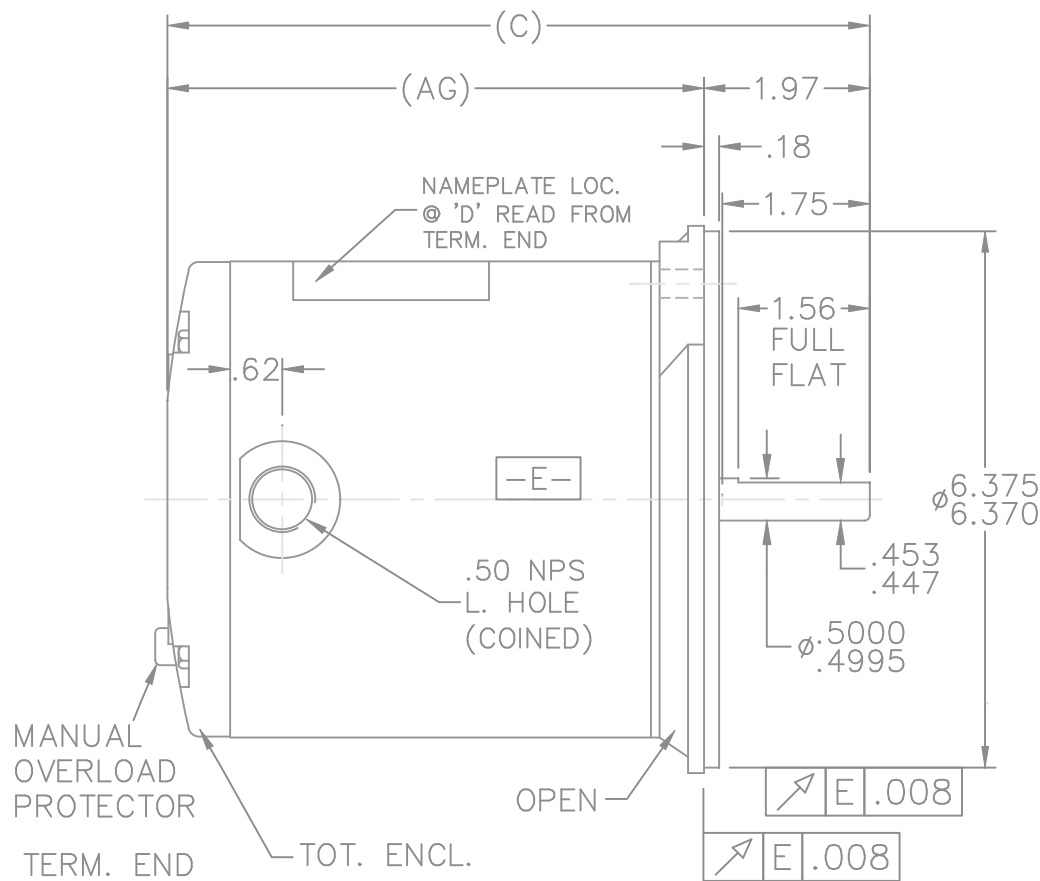
Nameplate Specifications

Output HP	0.25 Hp	Output KW	0.19 kW
Frequency	60 Hz	Voltage	115 V
Current	3.9 A	Speed	1725 rpm
Service Factor	1	Phase	1
Efficiency	60.2 %	Duty	Continuous
Insulation Class	B	Design Code	NO DESIGN CODE
KVA Code	M	Frame	48N
Enclosure	Semi Enclosed	Overload Protector	Manual
Ambient Temperature	40 °C	Drive End Bearing Size	6203
Opp Drive End Bearing Size	6203	UL	Recognized
CSA	Y	CE	N
IP Code	10		

Technical Specifications

Electrical Type	Split Phase	Starting Method	Across The Line
Poles	4	Rotation	Selective Clockwise
Mounting	Round	Motor Orientation	Horizontal
Drive End Bearing	Ball	Opp Drive End Bearing	Ball
Frame Material	Rolled Steel	Shaft Type	NEMA 48
Overall Length	7.59 in	Frame Length	4.25 in
Shaft Diameter	0.500 in	Shaft Extension	1.97 in
Assembly/Box Mounting	F1 Only		
Outline Drawing	A-SS403833-425	Connection Diagram	A-EE7154CA

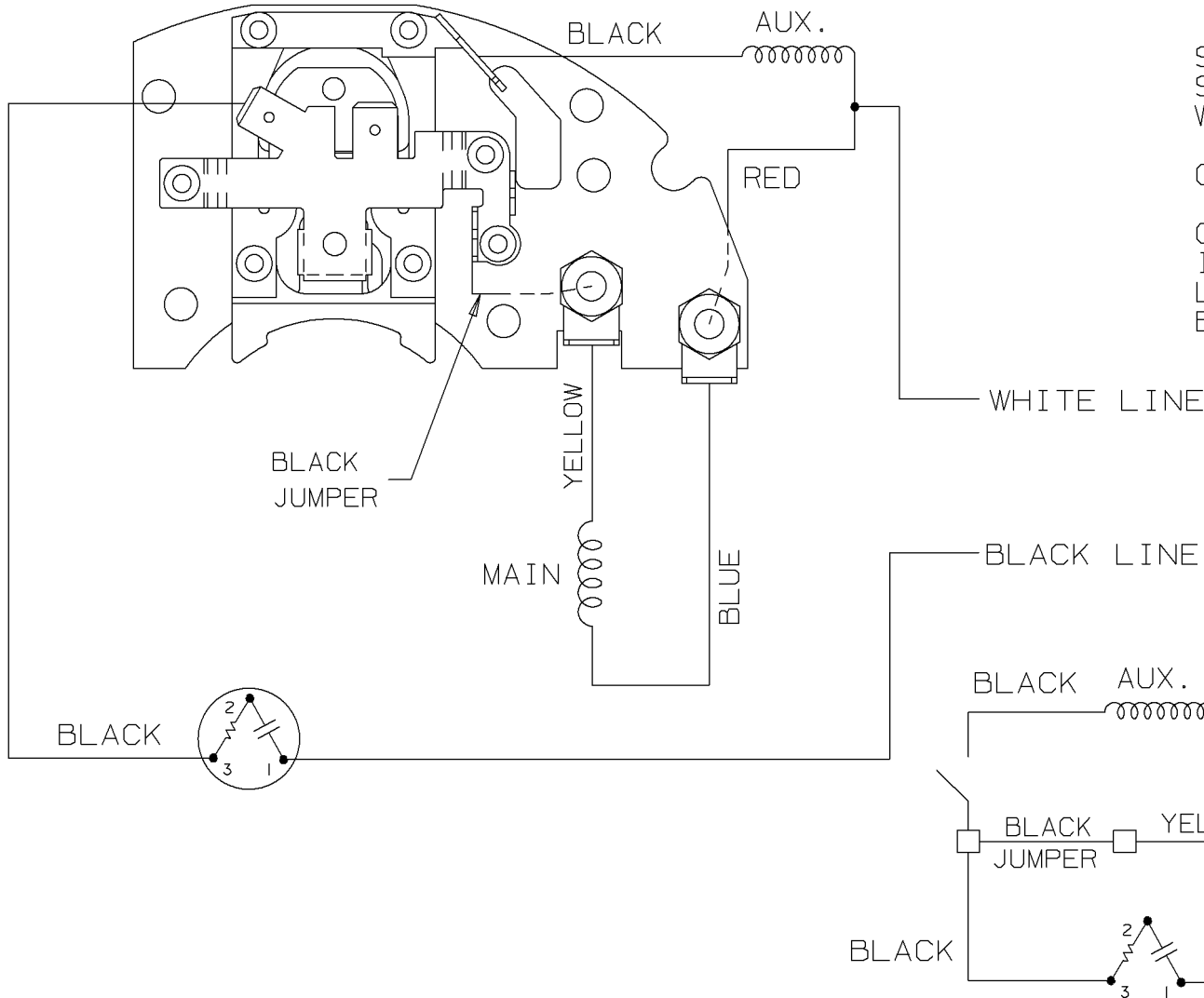
This is an uncontrolled document once printed or downloaded and is subject to change without notice. Date Created: 10/08/2018



DASH	C	AG	DASH	C	AG
400	7.34	5.37	475	8.09	6.12
425	7.59	5.62	500	8.34	6.37
450	7.84	5.87			

LEAD DESCRIPTION:
 1 WHITE, AND 1 BLACK LEAD WITH
 .50 BARE WIRE STRIP 20.00" LONG.

				TOLERANCES UNLESS SPECIFIED			DRAWN NB 02-24-2009						
				DEC.	INCHES		CHK	RAD 02-24-2009					
				.X	±.1	TITLE OUTLINE 48 FR. MAT'L. FINISH	APPD NB 02-24-2009						
				.XX	±.03		SCALE 7=16						
				.XXX	±.005		REF SS75998						
				.XXXX	±.0005		FMF 09-0323						
NO.	REVISION			BY & DATE	CHK	ANG	PREV						
						±7'30"							
THIS DRAWING IN DESIGN AND DETAIL IS OUR PROPERTY AND MUST NOT BE USED EXCEPT IN CONNECTION WITH OUR WORK ALL RIGHTS OF DESIGN AND INVENTION ARE RESERVED THIS IS AN ELECTRONICALLY GENERATED DOCUMENT - DO NOT SCALE THIS PRINT				RFP	02-24-2009	CAD FILE	ss403833		SIZE	DRAWING NO.	PAGE	OF	REV.
				DIST	WP				A	SS403833			



SINGLE HIGH VOLTAGE
SPLIT PHASE MOTOR
WITH OVERLOAD PROTECTOR

CW ROTATION SHOWN

CCW ROTATION -
INTERCHANGE YELLOW & BLUE
LEADS ON THE TERMINAL
BOARD.

NOTE: LEAD COLOR CHANGED FROM
EE7154BS.

3	08-22-2001	REVERSED SOLDER POST POSITION ON SWITCH ASSEMBLY CN 34233	TJB	✓ MAX. SURFACE ROUGHNESS UNLESS NOTED OTHERWISE	UNLESS OTHERWISE SPECIFIED DIMENSIONS ARE IN INCHES TOL. ON XX± XXX±.005 XXXX±.0005 ANGLES±		
2	06-08-2001	ADDED BLACK JUMPER LABEL	DRS	MATL SPEC	REPLACES A-EE7154BS & EE7154BT		DRAWN BY TJB 04-27-2001
1	05-23-2001	NEW DRAWING	TJB	FINISH			CHKD BY ML 05-23-2001
				REFERENCE DRW.			Wausau, Wisconsin 54401
REV	DATE	CHANGE	NAME	PART NAME CONNECTION DIAGRAM			DRWG NO A-EE7154CA

SHOP BOOK

PURCHASED

DISTRIBUTION - ~~W~~ - ~~B~~ - WP - ~~M~~ - ~~R~~

CADD FILE NO.

EE7154CA

