

# PRODUCT INFORMATION PACKET

Model No: 048S17T286  
Catalog No: O600  
1/8,1725,TENV,48N,1/60/115  
Single Phase



Regal and Marathon are trademarks of Regal Beloit Corporation or one of its affiliated companies.

©2018 Regal Beloit Corporation, All Rights Reserved. MC017097E



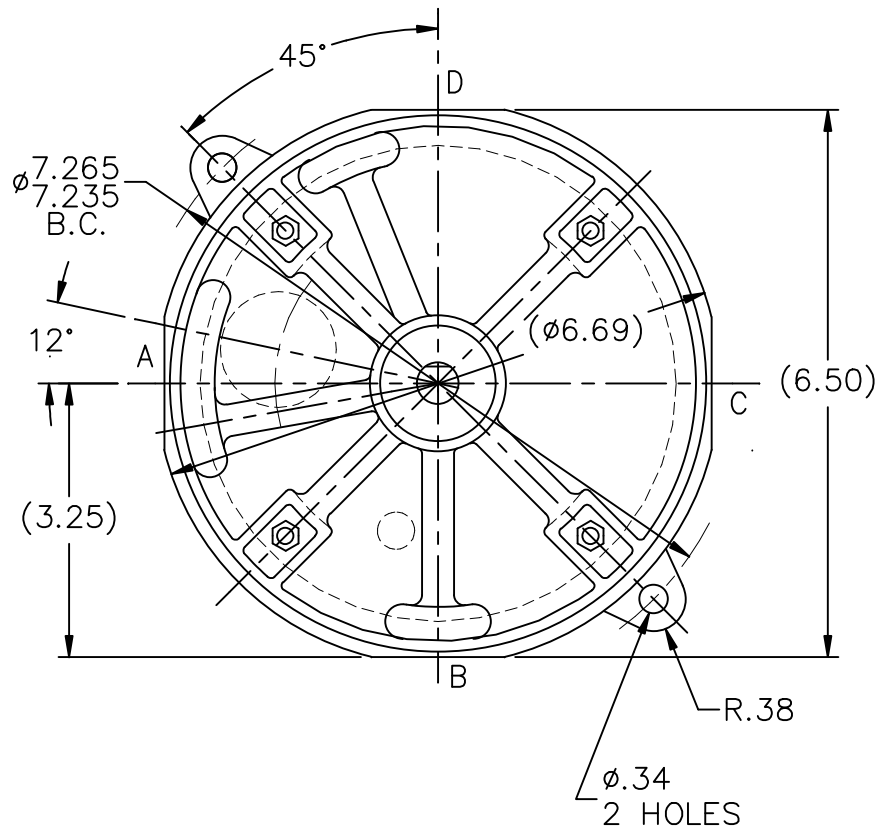
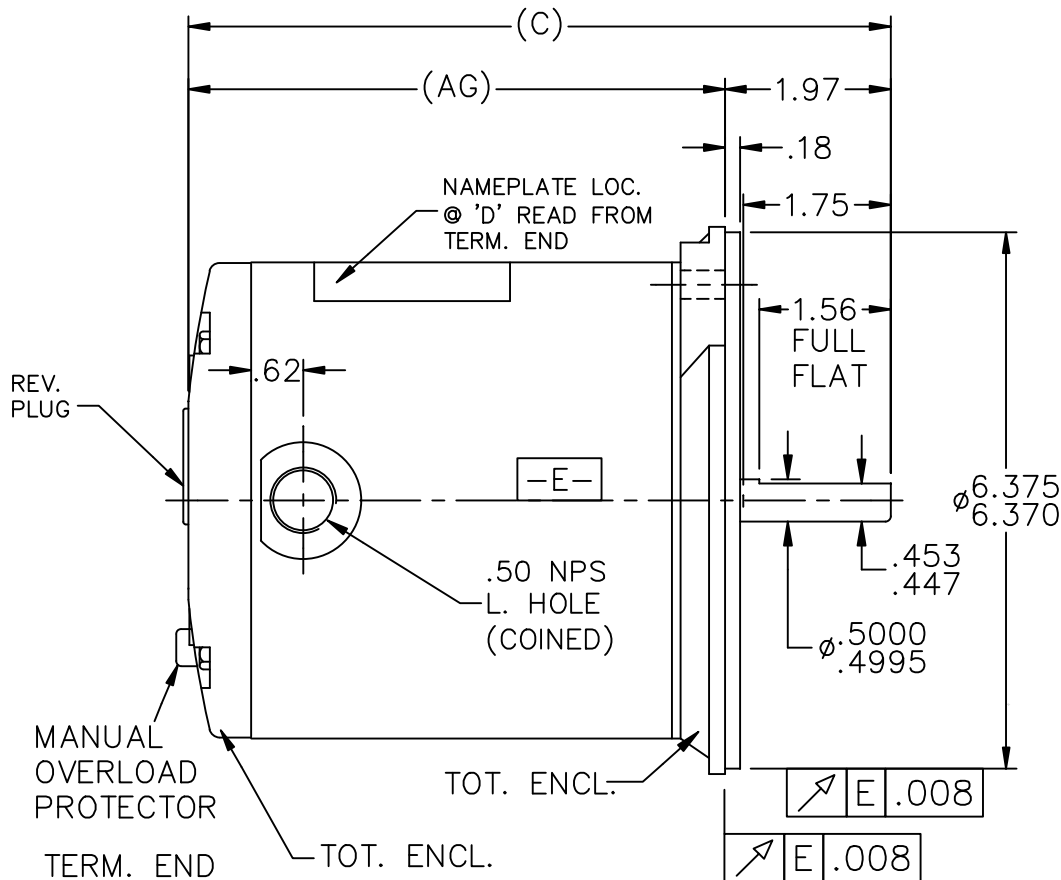
**Nameplate Specifications**

Output HP	<b>0.13 Hp</b>	Output KW	<b>0.09 kW</b>
Frequency	<b>60 Hz</b>	Voltage	<b>115 V</b>
Current	<b>2.6 A</b>	Speed	<b>1725 rpm</b>
Service Factor	<b>1</b>	Phase	<b>1</b>
Efficiency	<b>50.5 %</b>	Duty	<b>Continuous</b>
Insulation Class	<b>B</b>	Design Code	<b>NO DESIGN CODE</b>
KVA Code	<b>T</b>	Frame	<b>48N</b>
Enclosure	<b>Totally Enclosed Non Ventilated</b>	Overload Protector	<b>Manual</b>
Ambient Temperature	<b>40 °C</b>	Drive End Bearing Size	<b>6203</b>
Opp Drive End Bearing Size	<b>6203</b>	UL	<b>Recognized</b>
CSA	<b>Y</b>	CE	<b>N</b>
IP Code	<b>43</b>		

**Technical Specifications**

Electrical Type	<b>Split Phase</b>	Starting Method	<b>Across The Line</b>
Poles	<b>4</b>	Rotation	<b>Selective Clockwise</b>
Mounting	<b>Round</b>	Motor Orientation	<b>Horizontal</b>
Drive End Bearing	<b>Ball</b>	Opp Drive End Bearing	<b>Ball</b>
Frame Material	<b>Rolled Steel</b>	Shaft Type	<b>NEMA 48</b>
Overall Length	<b>7.59 in</b>	Frame Length	<b>4.25 in</b>
Shaft Diameter	<b>0.500 in</b>	Shaft Extension	<b>1.97 in</b>
Assembly/Box Mounting	<b>F1 Only</b>		
Outline Drawing	<b>A-SS403841-425</b>	Connection Diagram	<b>A-EE7154CA</b>

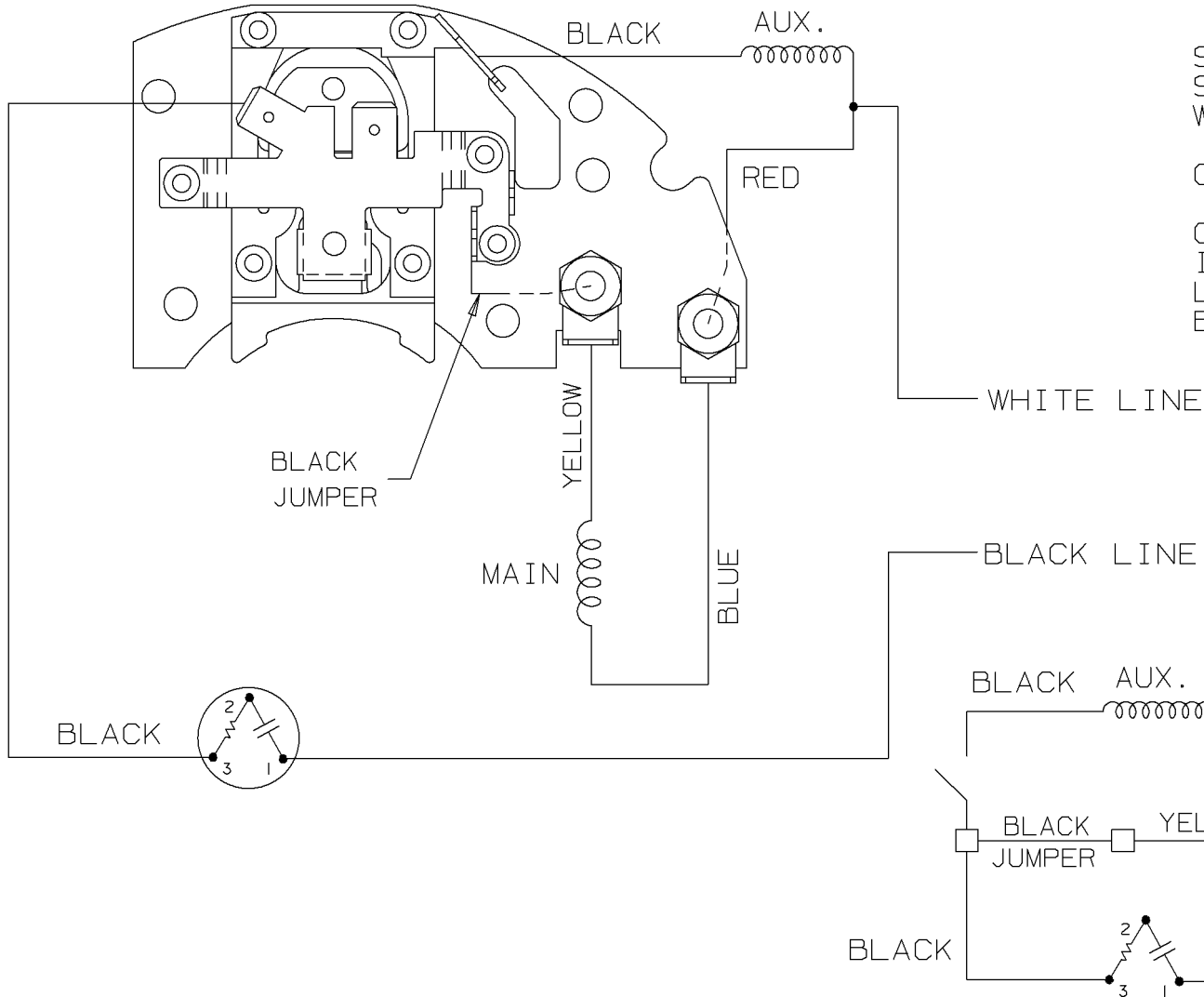
**This is an uncontrolled document once printed or downloaded and is subject to change without notice. Date Created: 10/08/2018**



DASH	C	AG	DASH	C	AG
375	7.09	5.12	450	7.84	5.87
400	7.34	5.37	475	8.09	6.12
425	7.59	5.62	500	8.34	6.37

LEAD DESCRIPTION:  
 1 WHITE, AND 1 BLACK LEAD WITH  
 .50 BARE WIRE STRIP 20.00" LONG.

				TOLERANCES UNLESS SPECIFIED		MARATHON ELECTRIC	DRAWN NB 04-02-2009							
				DEC.	INCHES		CHK	RAD 04-02-2009						
				.X	±.1	TITLE OUTLINE 48 FR.	APPD NB 04-02-2009							
				.XX	±.03		SCALE 7=16							
				.XXX	±.005		REF SS403833							
				.XXXX	±.0005		FMF 09-0323							
1	CHG'D OPEN TO TOT. ENCL. ISAAC 11-2360		KBB 05-25-2011	EH	.XXXX	±.0005	MAT'L.	PREV						
NO.	REVISION		BY & DATE	CHK	ANG	±7'30"	FINISH							
THIS DRAWING IN DESIGN AND DETAIL IS OUR PROPERTY AND MUST NOT BE USED EXCEPT IN CONNECTION WITH OUR WORK ALL RIGHTS OF DESIGN AND INVENTION ARE RESERVED THIS IS AN ELECTRONICALLY GENERATED DOCUMENT - DO NOT SCALE THIS PRINT				RFP	04-02-2009		CAD FILE	SS403841		SIZE	DRAWING NO.	PAGE	OF	REV.
				DIST	WP			A	SS403841				1	



SINGLE HIGH VOLTAGE  
SPLIT PHASE MOTOR  
WITH OVERLOAD PROTECTOR

CW ROTATION SHOWN

CCW ROTATION -  
INTERCHANGE YELLOW & BLUE  
LEADS ON THE TERMINAL  
BOARD.

NOTE: LEAD COLOR CHANGED FROM  
EE7154BS.

3	08-22-2001	REVERSED SOLDER POST POSITION ON SWITCH ASSEMBLY CN 34233	TJB	✓ MAX. SURFACE ROUGHNESS UNLESS NOTED OTHERWISE	UNLESS OTHERWISE SPECIFIED DIMENSIONS ARE IN INCHES TOL. ON XX±    XXX± .005    XXXX± .0005    ANGLES±		
2	06-08-2001	ADDED BLACK JUMPER LABEL	DRS	MATL SPEC	REPLACES A-EE7154BS & EE7154BT		DRAWN BY TJB 04-27-2001
1	05-23-2001	NEW DRAWING	TJB	FINISH			CHKD BY ML 05-23-2001
				REFERENCE DRW.			WAUSAU, WISCONSIN 54401
REV	DATE	CHANGE	NAME	PART NAME CONNECTION DIAGRAM			DRWG NO A-EE7154CA

SHOP BOOK

PURCHASED

DISTRIBUTION - ~~W~~ - ~~B~~ - WP - ~~M~~ - ~~R~~

CADD FILE NO.

EE7154CA

**CERTIFICATION DATA SHEET**

**Model#:** 48S17T286 U                      **WINDING#:** SE484109 NONE 1  
**CONN. DIAGRAM:** A-EE7154CA              **ASSEMBLY:** F1 ONLY  
**OUTLINE:** A-SS403841-425

**TYPICAL MOTOR PERFORMANCE DATA**

HP	KW	SYNC. RPM	F.L. RPM	FRAME	ENCLOSURE	KVA CODE	DESIGN
1/8	0.09	1800	1725	48N	TENV	T	NO DESIGN CODE

PH	Hz	VOLTS	FL AMPS	START TYPE	DUTY	INSL	S.F	AMB°C	ELEVATION
1	60	115	2.6	ACROSS THE LINE	CONTINUOUS	B3	1.0	40	3300

FULL LOAD EFF: 50.5	3/4 LOAD EFF: 45.4	1/2 LOAD EFF: 37.8	GTD. EFF	ELEC. TYPE	NO LOAD AMPS
FULL LOAD PF: 56.4	3/4 LOAD PF: 49.4	1/2 LOAD PF: 42.5	0	SPLIT PHASE	2.6

F.L. TORQUE	LOCKED ROTOR AMPS	L.R. TORQUE	B.D. TORQUE	F.L. RISE°C
6.1 LB-FT	23.4	11.9 LB-FT -	16.2 LB-FT -	75

SOUND PRESSURE @ 3 FT.	SOUND POWER	ROTOR WK^2	MAX. WK^2	SAFE STALL TIME	STARTS /HOUR	APPROX. MOTOR WGT
60 dBA	70 dBA	- LB-FT^2	- LB-FT^2	- SEC.	-	- LBS.

**\*\*\* SUPPLEMENTAL INFORMATION \*\*\***

DE BRACKET TYPE	ODE BRACKET TYPE	MOUNT TYPE	ORIENTATION	SEVERE DUTY	HAZARDOUS LOCATION	DRIP COVER	SCREENS	PAINT
N-FLANGE	STANDARD	ROUND	HORIZONTAL	FALSE	NONE	FALSE	NONE	BLACK (POWDER)

BEARINGS		GREASE	SHAFT TYPE	SPECIAL DE	SPECIAL ODE	SHAFT MATERIAL	FRAME MATERIAL
DE	OPE	MULTEMP SRL	STANDARD 48	NONE	NONE	1144 STRESSPROOF (C-223)	ROLLED STEEL
BALL	BALL						
6203	6203						

THERMO-PROTECTORS				THERMISTORS	CONTROL	SPACE /n HEATERS
THERMOSTATS	PROTECTORS	WDG RTDs	BRG RTDs	NONE	FALSE	NONE VOLTS
NONE	MANUAL	NONE	NONE			

If Inverter equals NONE, contact factory for further information

INVERTER TORQUE: NONE
INV. HP SPEED RANGE: NONE
ENCODER: NONE
NONE NONE
NONE NONE PPR
BRAKE: NONE NONE
NONE P/N NONE
NONE NONE
NONE FT-LB NONE V NONE Hz

\*  
N  
O  
T  
E  
S  
\*

DATE: 06/29/2017 01:33:37 AM  
 FORM 3531 REV.3 02/07/99  
 \*\* Subject to change without notice.