

PRODUCT INFORMATION PACKET

Model No: 048S17T290
Catalog No: O601
1/6,1800,TENV,48N,1/60/115
Single Phase



Regal and Marathon are trademarks of Regal Beloit Corporation or one of its affiliated companies.

©2018 Regal Beloit Corporation, All Rights Reserved. MC017097E



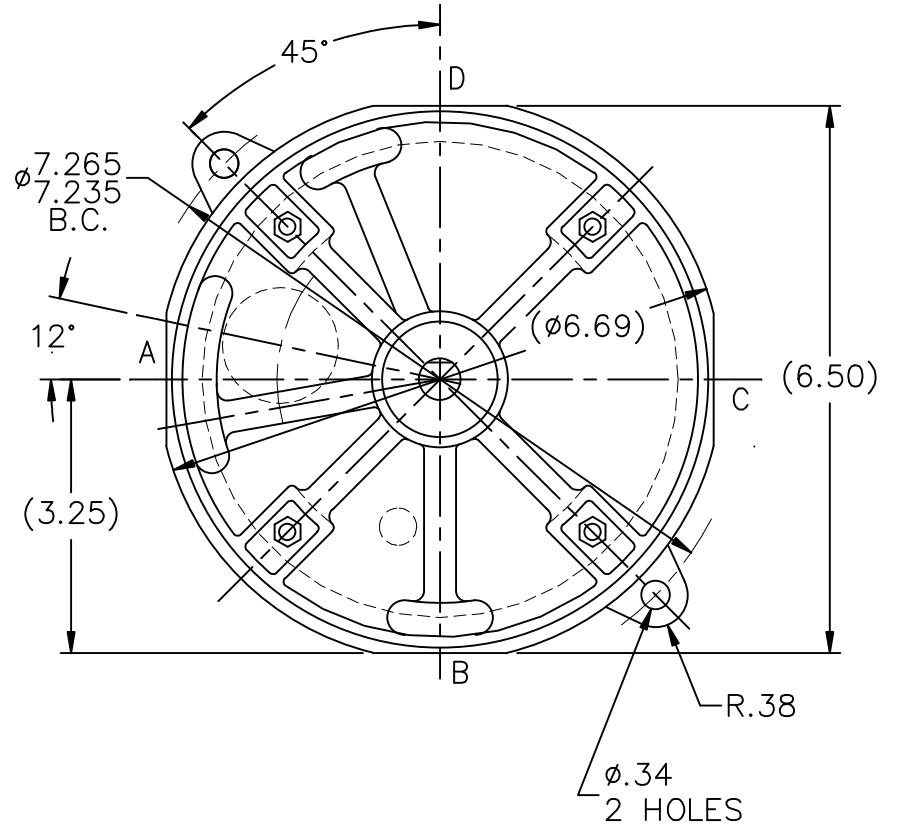
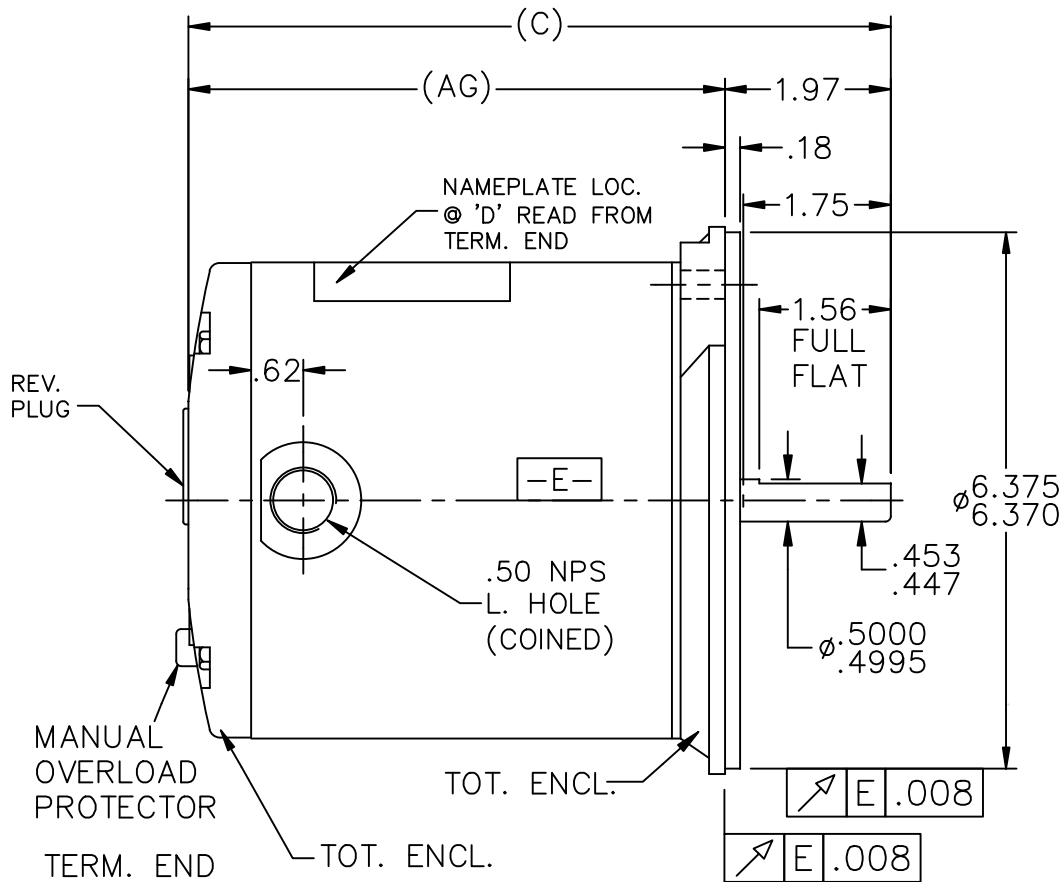
Nameplate Specifications

Output HP	0.17 Hp	Output KW	0.13 kW
Frequency	60 Hz	Voltage	115 V
Current	3.0 A	Speed	1725 rpm
Service Factor	1	Phase	1
Efficiency	58.2 %	Duty	Continuous
Insulation Class	B	Design Code	NO DESIGN CODE
KVA Code	S	Frame	48NZ
Enclosure	Totally Enclosed Non Ventilated	Overload Protector	Manual
Ambient Temperature	40 °C	Drive End Bearing Size	6203
Opp Drive End Bearing Size	6203	UL	Recognized
CSA	Y	CE	Y
IP Code	43		

Technical Specifications

Electrical Type	Split Phase	Starting Method	Across The Line
Poles	4	Rotation	Selective Clockwise
Mounting	Round	Motor Orientation	Horizontal
Drive End Bearing	Ball	Opp Drive End Bearing	Ball
Frame Material	Rolled Steel	Shaft Type	Single Special Extension
Overall Length	7.59 in	Frame Length	4.25 in
Shaft Diameter	0.500 in	Shaft Extension	1.97 in
Assembly/Box Mounting	F1 Only		
Outline Drawing	A-SS403841-425	Connection Diagram	A-EE7154CA

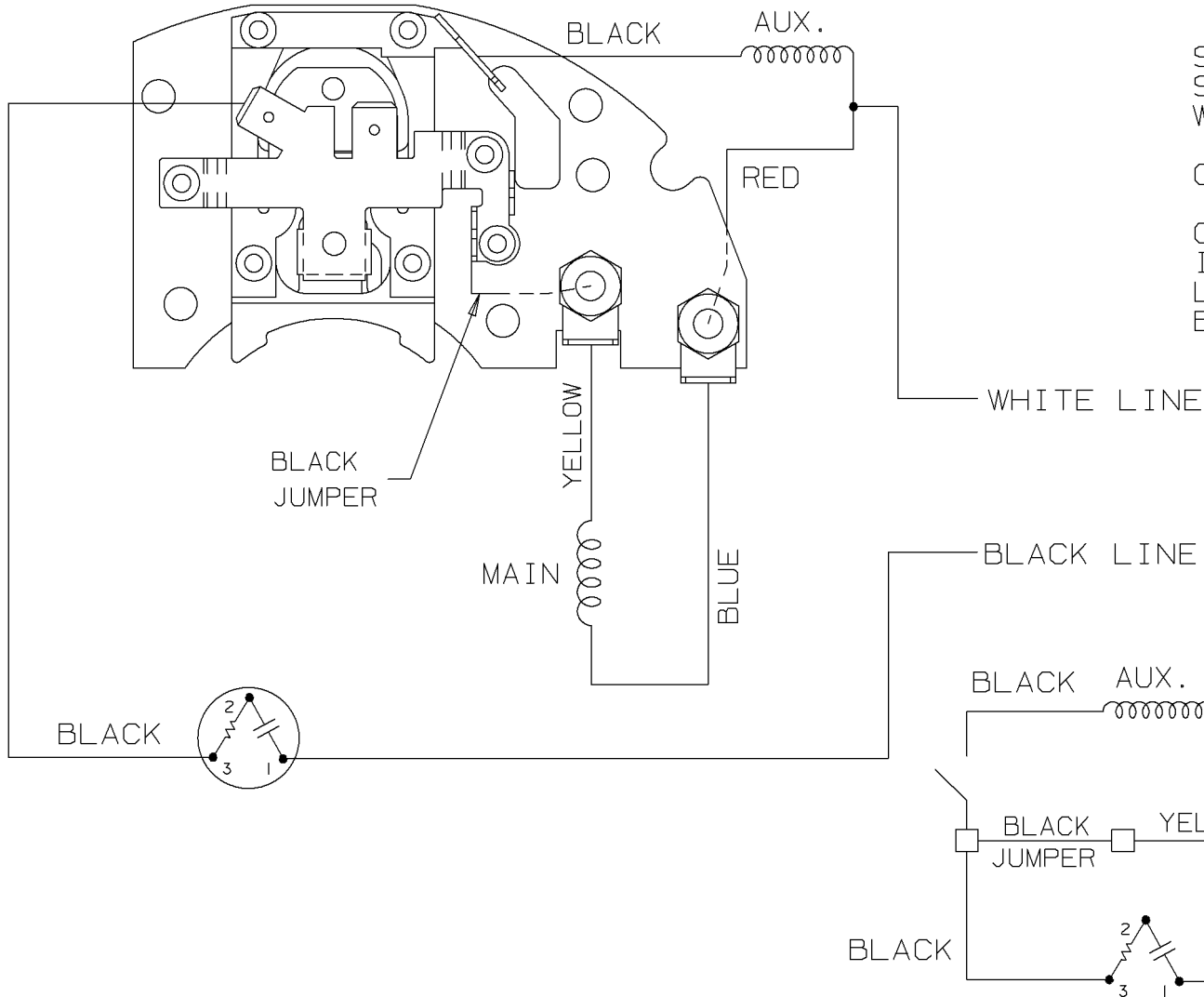
This is an uncontrolled document once printed or downloaded and is subject to change without notice. Date Created: 10/08/2018



LEAD DESCRIPTION:
 1 WHITE, AND 1 BLACK LEAD WITH
 .50 BARE WIRE STRIP 20.00" LONG.

DASH	C	AG	DASH	C	AG
375	7.09	5.12	450	7.84	5.87
400	7.34	5.37	475	8.09	6.12
425	7.59	5.62	500	8.34	6.37

				TOLERANCES UNLESS SPECIFIED			DRAWN NB 04-02-2009					
				DEC.	INCHES		CHK	RAD 04-02-2009				
				.X	±.1	TITLE OUTLINE 48 FR.	APPD	NB 04-02-2009				
				.XX	±.03		SCALE	7=16				
				.XXX	±.005		REF	SS403833				
1	CHG'D OPEN TO TOT. ENCL. ISAAC 11-2360		KBB 05-25-2011	EH	.XXXX ±.0005	MAT'L.	FMF	09-0323				
NO.	REVISION		BY & DATE	CHK	ANG ±7'30"	FINISH	PREV					
THIS DRAWING IN DESIGN AND DETAIL IS OUR PROPERTY AND MUST NOT BE USED EXCEPT IN CONNECTION WITH OUR WORK ALL RIGHTS OF DESIGN AND INVENTION ARE RESERVED THIS IS AN ELECTRONICALLY GENERATED DOCUMENT - DO NOT SCALE THIS PRINT				RFP	04-02-2009	CAD FILE	SS403841	SIZE	DRAWING NO.	PAGE	OF	REV.
				DIST	WP			A	SS403841			1



SINGLE HIGH VOLTAGE
SPLIT PHASE MOTOR
WITH OVERLOAD PROTECTOR

CW ROTATION SHOWN

CCW ROTATION -
INTERCHANGE YELLOW & BLUE
LEADS ON THE TERMINAL
BOARD.

NOTE: LEAD COLOR CHANGED FROM
EE7154BS.

3	08-22-2001	REVERSED SOLDER POST POSITION ON SWITCH ASSEMBLY CN 34233	TJB	✓ MAX. SURFACE ROUGHNESS UNLESS NOTED OTHERWISE	UNLESS OTHERWISE SPECIFIED DIMENSIONS ARE IN INCHES TOL. ON XX± XXX± .005 XXXX± .0005 ANGLES±				
2	06-08-2001	ADDED BLACK JUMPER LABEL	DRS	MATL SPEC	REPLACES A-EE7154BS & EE7154BT		DRAWN BY TJB	04-27-2001	
1	05-23-2001	NEW DRAWING	TJB	FINISH			CHKD BY ML	05-23-2001	
				REFERENCE DRW.			WAUSAU, WISCONSIN 54401		APPD BY JPL
REV	DATE	CHANGE	NAME	PART NAME CONNECTION DIAGRAM				DRWG NO A- EE7154CA	

SHOP BOOK

PURCHASED

DISTRIBUTION - ~~W~~ - ~~B~~ - WP - ~~M~~ - ~~R~~

CADD FILE NO.

EE7154CA



**P.O. BOX 8003
WAUSAU, WI 54401-8003
PH. 715-675-3311**

CERTIFICATION DATA SHEET

CUSTOMER:
ORDER #:
CONN. DIAGRAM:

CUSTOMER PO #:
MODEL #: 48S17T290 V
CUSTOMER PART #:

OUTLINE: A-SS403841-425
WINDING #: SE48475 3

MOUNTING: F1 ONLY

TYPICAL MOTOR PERFORMANCE DATA

HP	KW	SYNC. RPM	F.L. RPM	FRAME	ENCLOSURE	KVA CODE	DESIGN
1/6	0.13	1800	1725	48NZ	TENV	S	NO DESIGN CODE

PH	Hz	VOLTS	AMPS	START TYPE	DUTY	INSL	S.F.	AMB°C
1	60	115	2.95	ACROSS THE LINE	CONTINUOUS	B3	1.0	40

FULL LOAD EFF:		58.2	3/4 LOAD EFF:	-	1/2 LOAD EFF:	-	GTD. EFF	ELEC. TYPE
FULL LOAD PF:		-	3/4 LOAD PF:	-	1/2 LOAD PF:	-	-	SPLIT PHASE

F.L. TORQUE	LOCKED ROTOR AMPS	L.R. TORQUE	B.D. TORQUE	F.L. RISE°C
8.14 OZ-FT	25.2	15.8 OZ-FT - %	17 OZ-FT - %	-

SOUND PRESSURE @ 3 FT.	SOUND POWER	ROTOR WK^2	MAX. WK^2	SAFE STALL TIME	STARTS / HOUR	APPROX. MOTOR WGT
- DBA	- DBA	- LB-FT^2	- LB-FT^2	- SEC.	-	- LBS.

***** SUPPLEMENTAL INFORMATION *****

DE BRACKET TYPE	ODE BRACKET TYPE	MOUNT TYPE	ORIENTATION	SEVERE DUTY	HAZARDOUS LOCATION	DRIP COVER	SCREENS	PAINT
N-FLANGE	STANDARD	ROUND	HORIZONTAL	FALSE	NONE	FALSE	NONE	BLACK (POWDER)

BEARINGS		GREASE	SHAFT TYPE	SPECIAL DE	SPECIAL ODE	SHAFT MATERIAL	FRAME MATERIAL
DE	ODE						
BALL	BALL	MULTEMP	SGL SPL EXT	0.500 x 1.75 IN SEF WITH 1.56 IN FULL FLAT	NONE	1144 STRESSPROOF (C-223)	ROLLED STEEL
6203	6203						

THERMO-PROTECTORS				THERMISTORS	CONTROL	SPACE HEATERS
THERMOSTATS	PROTECTORS	WDG RTDS	BRG RTDS			
NONE	MANUAL	NONE	NONE	NONE	FALSE	NONE

* INVERTER TORQUE:	NONE
INV. HP SPEED RANGE:	NONE

N ENCODER:	NONE	PPR
O NONE	NONE	

T BRAKE:	NONE	P/N NONE	NONE
E NONE	NONE		
S FT-LB	NONE	V	NONE
			HZ

* * *

PREPARED BY: Gosula Reddy
Srikanth DATE:
06/29/2017 01:46:57 AM
FORM 3531 REV.3 02/07/99
** Subject to change without notice.