

PRODUCT INFORMATION PACKET

Model No: 048S17T366
Catalog No: X910
1/4,17/11,TENV,48,1/60/115
Single Phase



Regal and Marathon are trademarks of Regal Beloit Corporation or one of its affiliated companies.
©2018 Regal Beloit Corporation, All Rights Reserved. MC017097E





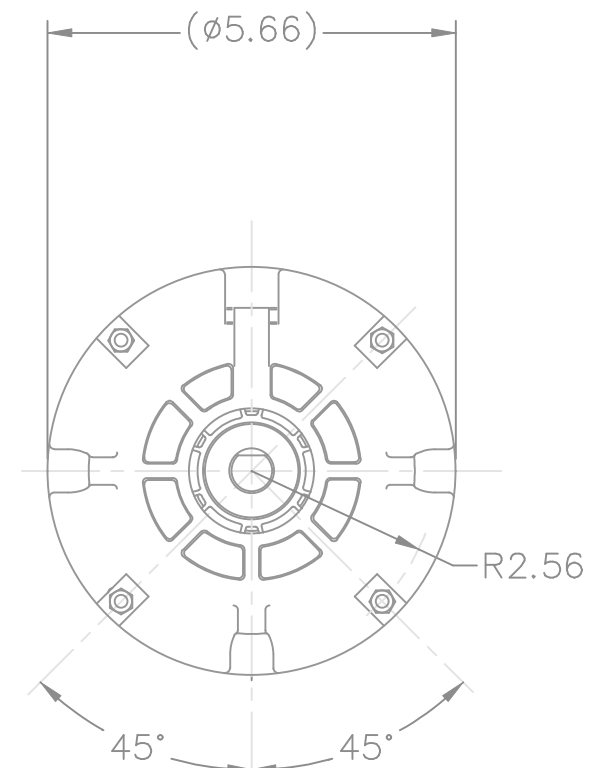
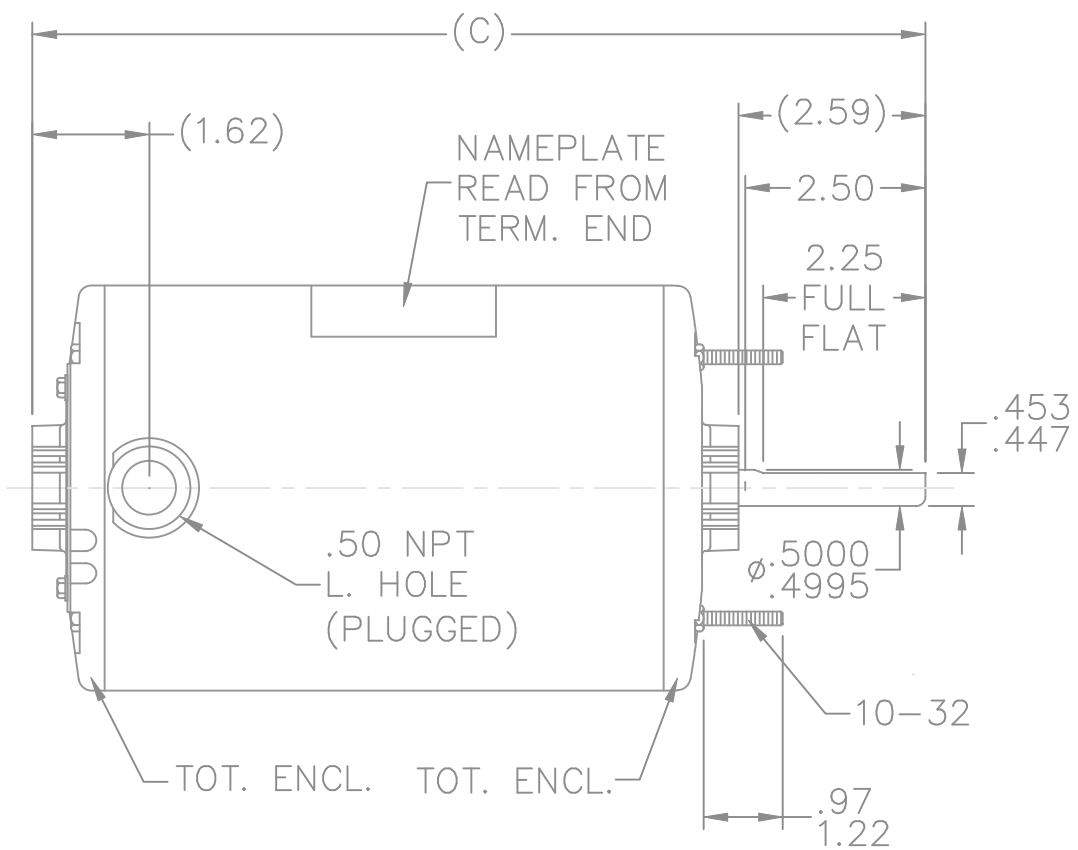
Nameplate Specifications

Output HP	0.25,0.08 Hp	Output KW	0.19 kW
Frequency	60 Hz	Voltage	115 V
Current	3.7,2.25 A	Speed	1725,1140 rpm
Service Factor	1	Phase	1
Efficiency	62 %	Duty	Continous
Insulation Class	B	Design Code	2VT
KVA Code	R	Frame	48
Enclosure	Totally Enclosed Air Over	Overload Protector	Auto Lock Rotor Only
Ambient Temperature	40 °C	Drive End Bearing Size	6203
Opp Drive End Bearing Size	6203	UL	Recognized
CSA	Y	CE	N
IP Code	43		

Technical Specifications

Electrical Type	Split Phase	Starting Method	Across The Line
Poles	4//6	Rotation	Selective Counterclockwise
Mounting	Round - Extended Studs	Motor Orientation	Horizontal
Drive End Bearing	Ball	Opp Drive End Bearing	Ball
Frame Material	Rolled Steel	Shaft Type	NEMA 48
Overall Length	11.09 in	Frame Length	6.50 in
Shaft Diameter	0.500 in	Shaft Extension	2.59 in
Assembly/Box Mounting	F1 Only		
Outline Drawing	A-SS75127-650	Connection Diagram	A-EE9005B

This is an uncontrolled document once printed or downloaded and is subject to change without notice. Date Created: 06/29/2018



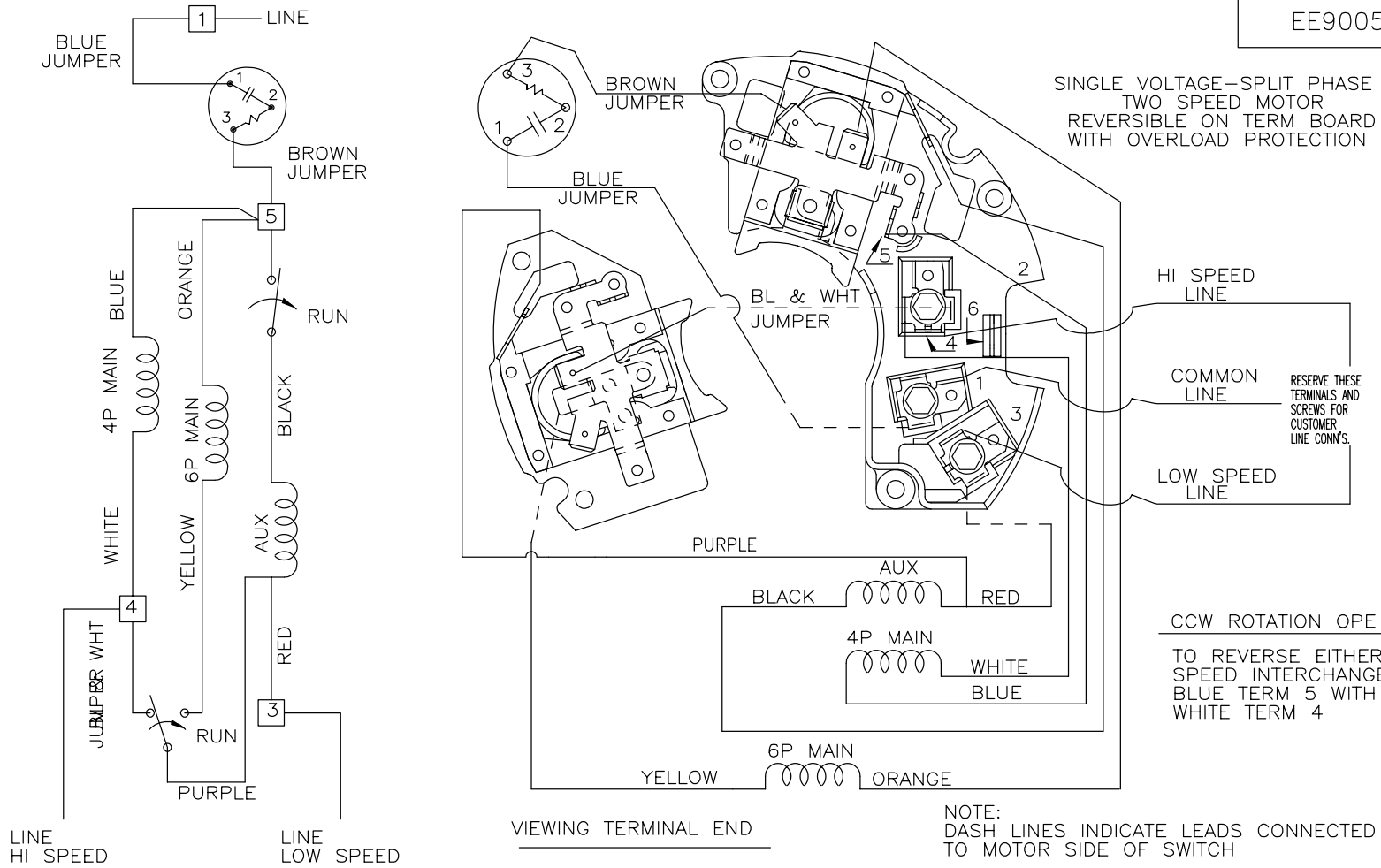
TERM END

DASH	FR.	C	DASH	FR.	C
575	48	10.34	675	48	11.34
625	48	10.84			
650	48	11.09			

NO.	REVISION	BY & DATE	CHK	TOLERANCES UNLESS SPECIFIED		MARATHON ELECTRIC	DRAWN RM 03-04-1991
				DEC.	INCHES		
3	UPDATED DRAWING	TJW 04/16/2007		.XX	±.03	TITLE OUTLINE	APPD RJS 03-08-1991
2	REDRAWN IN AUTOCAD	TAT 05-09-2005	ML	.XXX	±.005		SCALE 3=8
1	NEW DRAWING 3783642	RM 03-04-1991		.XXXX	±.0005	MAT'L.	REF
				ANG	±7'30"	FINISH	FMF
			RFP			CAD FILE ss75127	PREV
			DIST WP			SIZE A	DRAWING NO. SS75127
							PAGE OF 3
							REV. 3

THIS DRAWING IN DESIGN AND DETAIL IS OUR PROPERTY AND MUST NOT BE USED EXCEPT IN CONNECTION WITH OUR WORK ALL RIGHTS OF DESIGN AND INVENTION ARE RESERVED THIS IS AN ELECTRONICALLY GENERATED DOCUMENT - DO NOT SCALE THIS PRINT

EE9005B



NO.	REVISION	BY & DATE	CHK	ANG	TOLERANCES UNLESS SPECIFIED		MARATHON ELECTRIC	DRAWN RM 12-03-1990
					DEC.	INCHES		
3	UPDATED PER ECR-0036111	UD 12-19-13	BV	.XX	±.03			CHK ML 12-03-1990
2	RE-ISSUED CN 6381	RM 12-03-90		.XXX	±.005		TITLE CONNECTION DIAGRAM 48 FR. TWO SPEED	APPD GK 12-03-1990
1	NEW DRAWING	RM 11-20-90		.XXXX	±.0005		SCALE 3=8	REF
					±1/2'		MAT'L.	FMF
							FINISH	PREV
THIS DRAWING IN DESIGN AND DETAIL IS OUR PROPERTY AND MUST NOT BE USED EXCEPT IN CONNECTION WITH OUR WORK ALL RIGHTS OF DESIGN AND INVENTION ARE RESERVED THIS IS AN ELECTRONICALLY GENERATED DOCUMENT - DO NOT SCALE THIS PRINT			RFP	CAD FILE	EE9005B	SIZE	DRAWING NO.	REV.
			DIST			A	EE9005B	03

CERTIFICATION DATA SHEET

Model#: 48S17T366 F WINDING#: SE48(4-6)8 NONE 1
 CONN. DIAGRAM: A-EE9005B ASSEMBLY: F1 ONLY
 OUTLINE: A-SS75127-650

TYPICAL MOTOR PERFORMANCE DATA

HP	KW	SYNC. RPM	F.L. RPM	FRAME	ENCLOSURE	KVA CODE	DESIGN
1/4&1/12	0.19&0.06	1200	1725&1140	48	TEAO	R	2VT

PH	Hz	VOLTS	FL AMPS	START TYPE	DUTY	INSL	S.F	AMB°C	ELEVATION
1	60/60	115	3.7&2.25	ACROSS THE LINE	CONTINUOUS	B3	1.0/1.0	40	3300

FULL LOAD EFF: 62.0	3/4 LOAD EFF: -	1/2 LOAD EFF: -	GTD. EFF	ELEC. TYPE	NO LOAD AMPS
			0	SPLIT PHASE	2.2

F.L. TORQUE	LOCKED ROTOR AMPS	L.R. TORQUE	B.D. TORQUE	F.L. RISE°C
6.1 LB-FT	30.1	14.9 LB-FT	26.6 LB-FT	-

SOUND PRESSURE @ 3 FT.	SOUND POWER	ROTOR WK^2	MAX. WK^2	SAFE STALL TIME	STARTS / HOUR	APPROX. MOTOR WGT
- dBA	- dBA	0 LB-FT^2	- LB-FT^2	- SEC.	-	0 LBS.

*** SUPPLEMENTAL INFORMATION ***

DE BRACKET TYPE	ODE BRACKET TYPE	MOUNT TYPE	ORIENTATION	SEVERE DUTY	HAZARDOUS LOCATION	DRIP COVER	SCREENS	PAINT
STANDARD	STANDARD	ROUND-EXTENDED STUDS	HORIZONTAL	FALSE	NONE	FALSE	NONE	GRAY (POWDER)

BEARINGS		GREASE	SHAFT TYPE	SPECIAL DE	SPECIAL ODE	SHAFT MATERIAL	FRAME MATERIAL
DE	OPE						
BALL	BALL	MULTEMP SRL	STANDARD 48	NONE	NONE	1144 STRESSPROOF (C-223)	ROLLED STEEL
6203	6203						

THERMO-PROTECTORS				THERMISTORS	CONTROL	SPACE /n HEATERS
THERMOSTATS	PROTECTORS	WDG RTDs	BRG RTDs			
NONE	AUT LCK RTR ONLY	NONE	NONE	NONE	FALSE	NONE VOLTS

If Inverter equals NONE, contact factory for further information

INVERTER TORQUE: NONE
INV. HP SPEED RANGE: NONE
ENCODER: NONE
NONE NONE
NONE NONE PPR
BRAKE: NONE NONE
NONE P/N NONE
NONE NONE
NONE FT-LB NONE V NONE Hz

*
N
O
T
E
S
*

DATE: 06/29/2017 01:39:42 AM
 FORM 3531 REV.3 02/07/99

** Subject to change without notice.