

# PRODUCT INFORMATION PACKET

Model No: 056A11O5314  
Catalog No: X448  
1,1075,OPEN,56Y,1/60/200-230/460  
Condenser Fans



Regal and Marathon are trademarks of Regal Beloit Corporation or one of its affiliated companies.  
©2018 Regal Beloit Corporation, All Rights Reserved. MC017097E



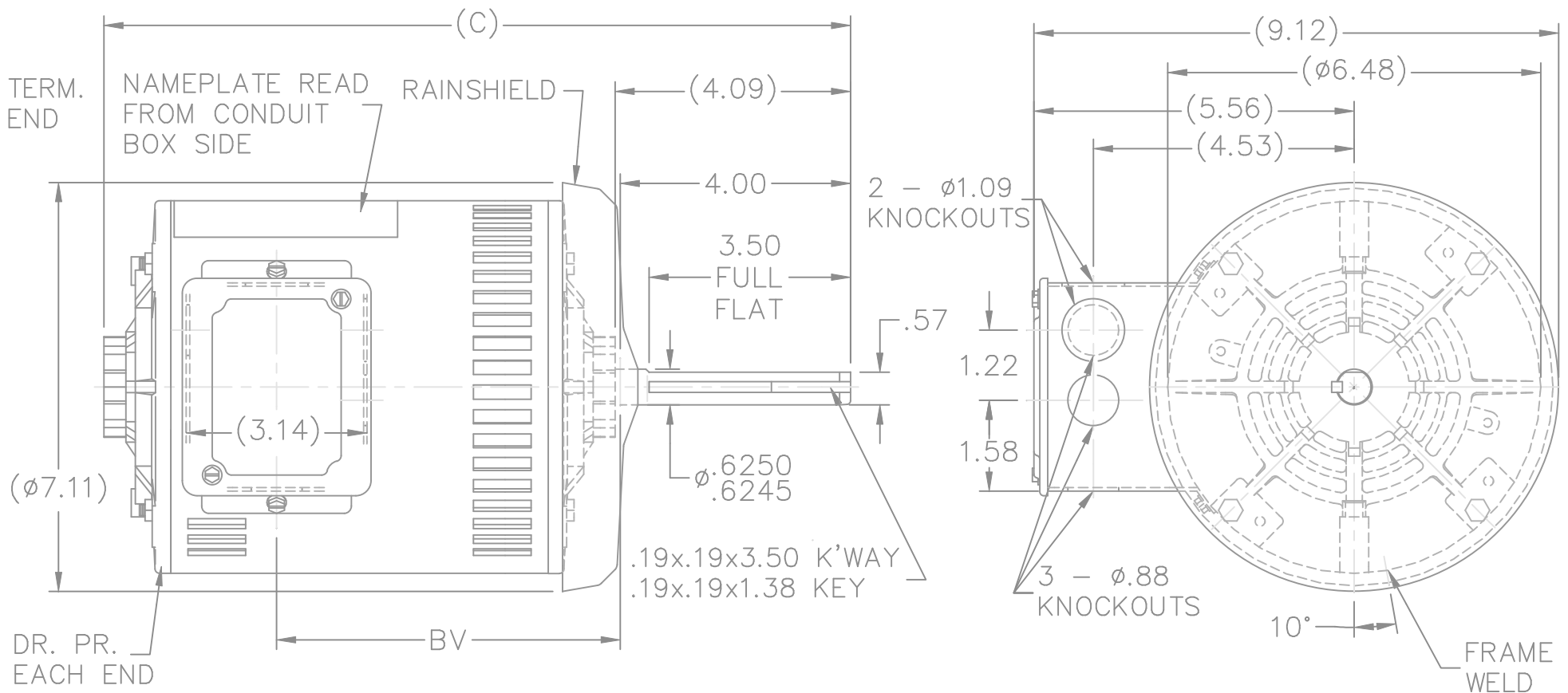
**Nameplate Specifications**

Output HP	<b>1 Hp</b>	Output KW	<b>0.75 kW</b>
Frequency	<b>60 Hz</b>	Voltage	<b>200-230/460 V</b>
Current	<b>6.0-5.2/2.6 A</b>	Speed	<b>1075 rpm</b>
Service Factor	<b>1</b>	Phase	<b>1</b>
Efficiency	<b>73 %</b>	Duty	<b>Continuous</b>
Insulation Class	<b>B</b>	Design Code	<b>NO DESIGN CODE</b>
KVA Code	<b>D</b>	Frame	<b>56Y</b>
Enclosure	<b>Open Air Over</b>	Overload Protector	<b>Automatic</b>
Ambient Temperature	<b>60 °C</b>	Drive End Bearing Size	<b>6203</b>
Opp Drive End Bearing Size	<b>6203</b>	UL	<b>Recognized ( Not Protector)</b>
CSA	<b>Y</b>	CE	<b>N</b>
IP Code	<b>10</b>		

**Technical Specifications**

Electrical Type	<b>Permanent Split Capacitor</b>	Starting Method	<b>Across The Line</b>
Poles	<b>6</b>	Rotation	<b>Selective Counterclockwise</b>
Mounting	<b>Round Belly Band</b>	Motor Orientation	<b>Horizontal</b>
Drive End Bearing	<b>Ball</b>	Opp Drive End Bearing	<b>Ball</b>
Frame Material	<b>Rolled Steel</b>	Shaft Type	<b>Single Special Extension</b>
Overall Length	<b>14.47 in</b>	Frame Length	<b>8.06 in</b>
Shaft Diameter	<b>0.625 in</b>	Shaft Extension	<b>4.09 in</b>
Assembly/Box Mounting	<b>F1 Only</b>		
Outline Drawing	<b>A-104109-806</b>	Connection Diagram	<b>A-102009-14</b>

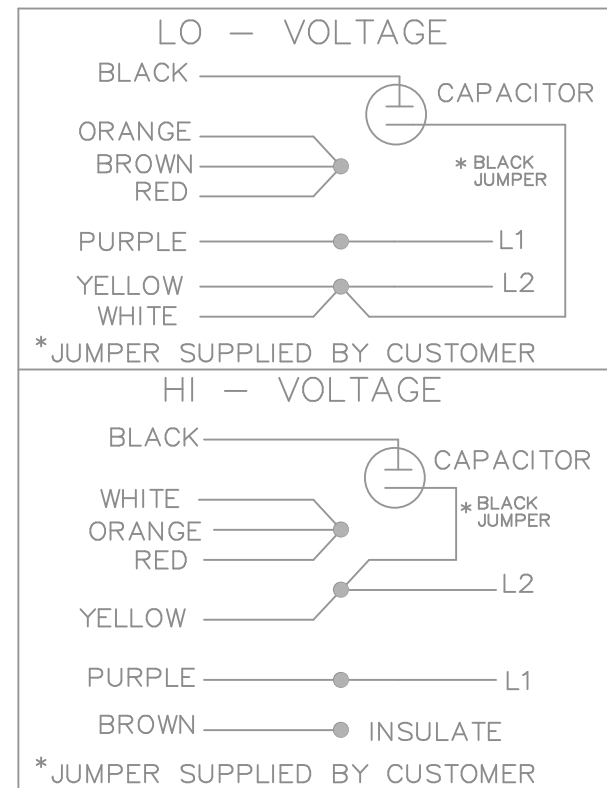
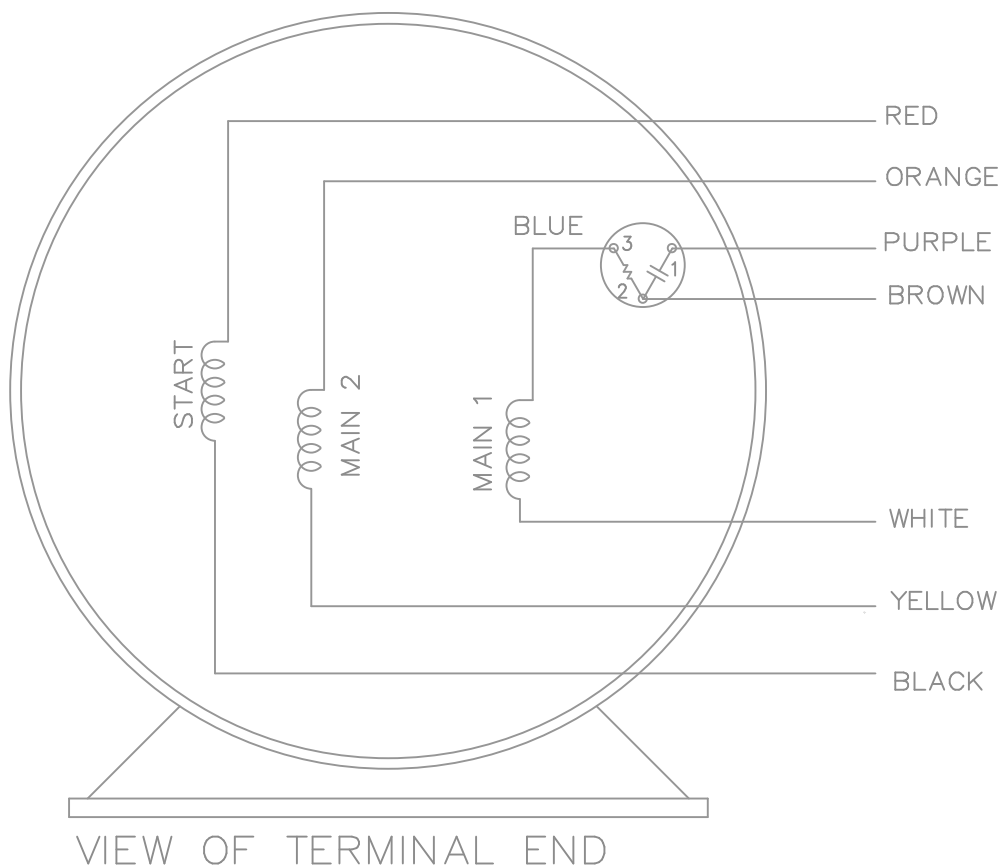
**This is an uncontrolled document once printed or downloaded and is subject to change without notice. Date Created: 10/08/2018**



DASH	FR.	C	BV		DASH	FR.	C	BV	
656	56-65	12.97	5.97		856	56-85	14.97	7.97	
706	" -70	13.47	6.47		906	" -90	15.47	8.47	
756	" -75	13.97	6.97		956	" -95	15.97	8.97	
806	" -80	14.47	7.47						

NO.	REVISION	BY & DATE	CHK	ANG	TOLERANCES UNLESS SPECIFIED		DRAWN	CHK	APPD	SCALE	REF	FMF	PREV
5	UNDO REV4, CH. FOR REV4 NEED NEW DRW. CN 31474	DRS 03-01-2002	ET		DEC. INCHES		TITLE OUTLINE	BRH 04-12-1996	ML 04-17-1996	RJM 04-17-1996	3=8		
4	SHAFT DIM INCR. BY .25 REV'D RAINSHIELD CN 34284	HLB 09-14-2001			.X ±.1								
3	REV'D SHAFT FOR RAIN SHIELD CLEARANCE WITH BRACKET CN 27306	BLR 12-21-1998			.XX ±.03								
2	REMOVED ø.163 HOLE FOR GRND. SCREW CN 21725-548	BRH 06-05-1996			.XXX ±.005								
1	NEW DRAWING 4378070	BRH 04-17-1996			.XXXX ±.0005	MAT'L.							
					±.7'30"	FINISH							
THIS DRAWING IN DESIGN AND DETAIL IS OUR PROPERTY AND MUST NOT BE USED EXCEPT IN CONNECTION WITH OUR WORK ALL RIGHTS OF DESIGN AND INVENTION ARE RESERVED THIS IS AN ELECTRONICALLY GENERATED DOCUMENT - DO NOT SCALE THIS PRINT					RFP	CAD FILE 104109	SIZE A	DRAWING NO. 104109	PAGE OF	REV. 5			
					DIST WP								

PSC – DUAL VOLTAGE  
REVERSIBLE  
CCW ROTATION SHOWN



FOR CW ROTATION  
EITHER VOLTAGE  
INTERCHANGE—BLACK & RED

				TOLERANCES UNLESS SPECIFIED			DRAWN MH 11-25-1996				
				DEC.	INCHES		CHK ML 12-02-1996				
				.X	±.1		APPD RJS 12-04-1996				
				.XX	±.02		SCALE 5=8				
				.XXX	±.005		REF				
1	NEW DRAWING	CN 23597	MH 12-06-1996	.XXXX	±.0005	MAT'L.	FMF				
NO.	REVISION	BY & DATE	CHK	ANG	±7'30"	FINISH	PREV				
THIS DRAWING IN DESIGN AND DETAIL IS OUR PROPERTY AND MUST NOT BE USED EXCEPT IN CONNECTION WITH OUR WORK ALL RIGHTS OF DESIGN AND INVENTION ARE RESERVED THIS IS AN ELECTRONICALLY GENERATED DOCUMENT – DO NOT SCALE THIS PRINT				RFP	CAD FILE 102009-14		SIZE	DRAWING NO.	PAGE	OF	REV.
				DIST	WP	A		102009-14		1	

