

PRODUCT INFORMATION PACKET

Model No: 056B17D2013
Catalog No: B609
3/4, 1725, DP, 56, 1/60/277
Fan and Blower



Regal and Marathon are trademarks of Regal Beloit Corporation or one of its affiliated companies.
©2018 Regal Beloit Corporation, All Rights Reserved. MC017097E

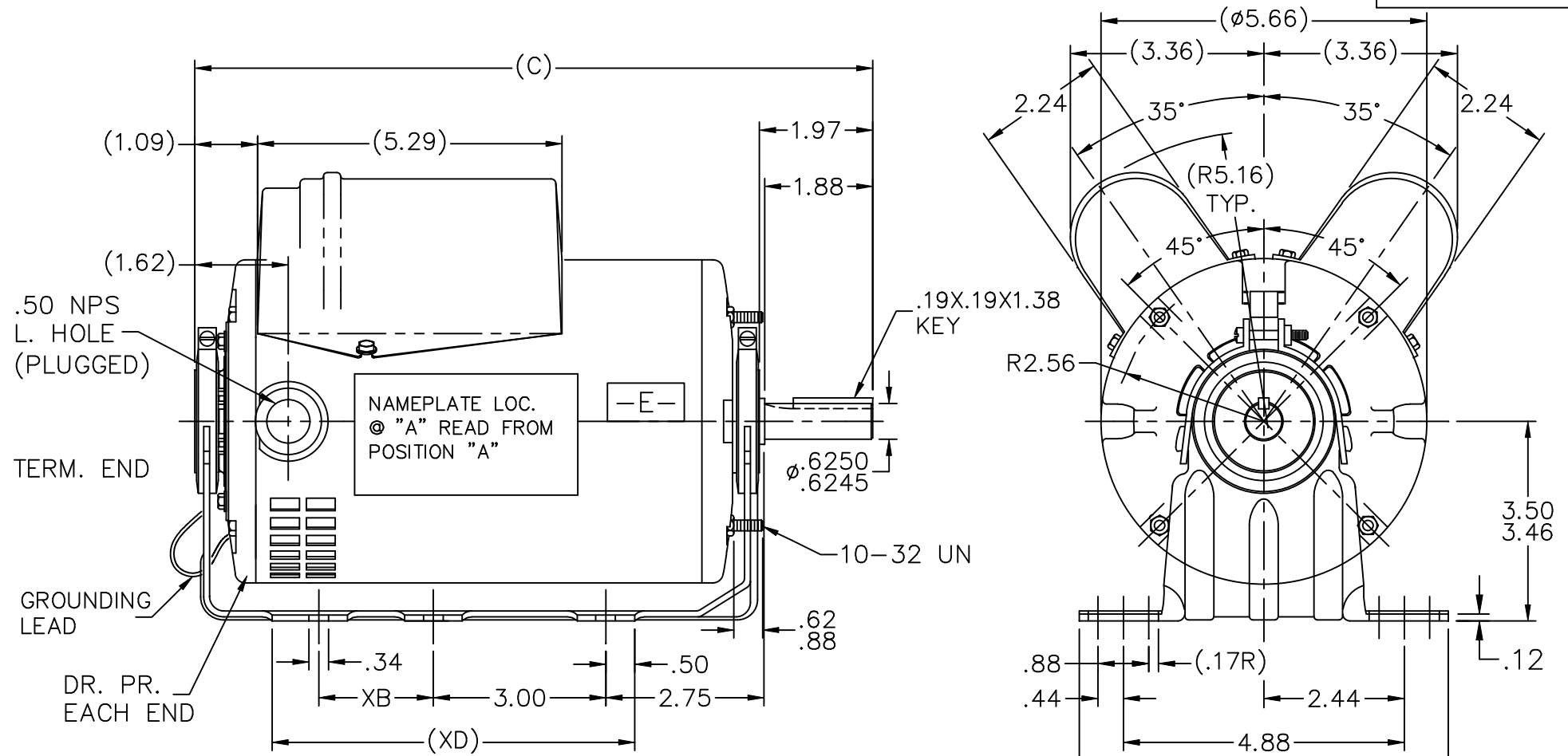


Nameplate Specifications

Output HP	0.75 Hp	Output KW	0.56 kW
Frequency	60 Hz	Voltage	277 V
Current	4.3 A	Speed	1725 rpm
Service Factor	1.25	Phase	1
Efficiency	72 %	Duty	Continuous
Insulation Class	B	Design Code	NO DESIGN CODE
KVA Code	K	Frame	56
Enclosure	Drip Proof	Overload Protector	No
Ambient Temperature	40 °C	Drive End Bearing Size	6203
Opp Drive End Bearing Size	6203	UL	Recognized
CSA	Y	CE	N
IP Code	22		

Technical Specifications

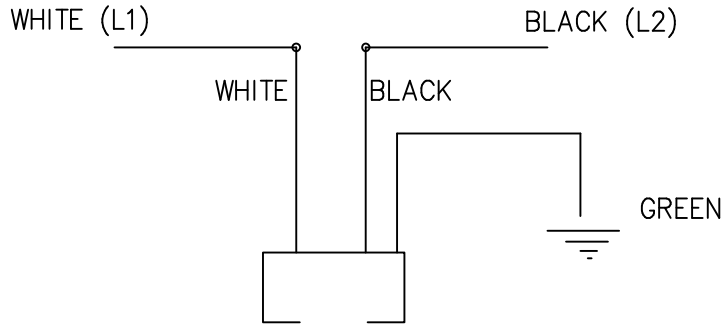
Electrical Type	Capacitor Start Capacitor Run	Starting Method	Across The Line
Poles	4	Rotation	Selective Counterclockwise
Mounting	Resilient Base - Extended Studs	Motor Orientation	Horizontal
Drive End Bearing	Ball	Opp Drive End Bearing	Ball
Frame Material	Rolled Steel	Shaft Type	T
Overall Length	11.47 in	Frame Length	7.50 in
Shaft Diameter	0.625 in	Shaft Extension	1.97 in
Assembly/Box Mounting	F1 Only		
Outline Drawing	A-SS75539-750	Connection Diagram	A-EE9007Z



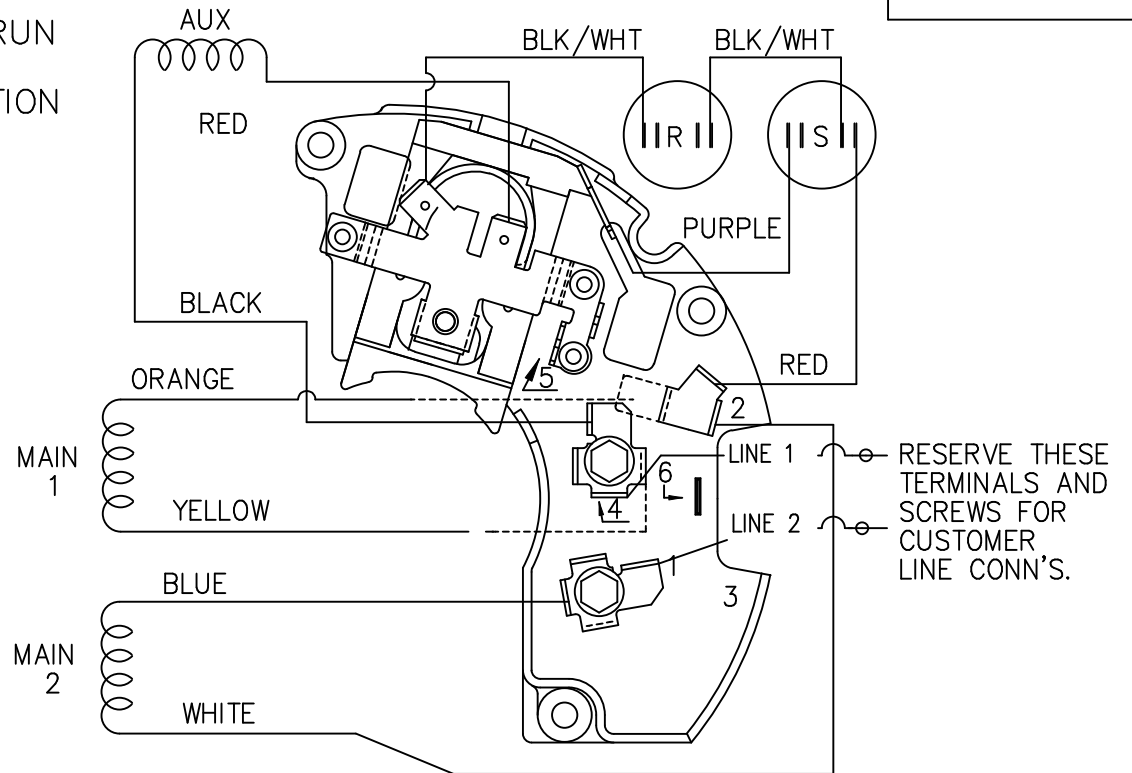
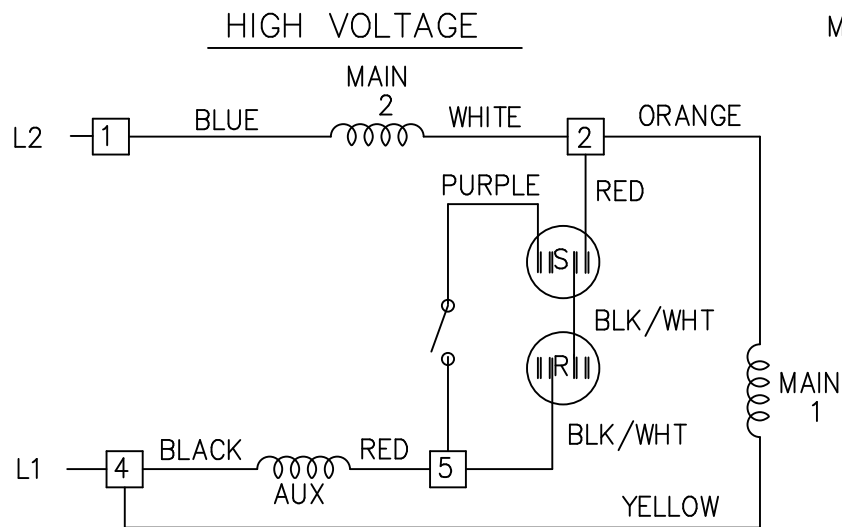
DASH	XB	XD	C
750	2.00	6.00	11.47

			TOLERANCES UNLESS SPECIFIED		MARATHON ELECTRIC	DRAWN RM 03-18-1992			
			DEC.	INCHES		CHK	ML	03-19-1992	
			.X	±.1	TITLE OUTLINE	APPD	GK	03-19-1992	
3	UPDATED DRAWING	TJW 04/20/2007	.XX	±.03		SCALE	3=8		
2	REDRAWN IN AUTOCAD	TAT 09-01-2004	ML	.XXX ±.005		REF			
1	NEW DRAWING	3850093 RM 03-26-1991	.XXXX	±.0005		MAT'L.	FMF		
NO.	REVISION	BY & DATE	CHK	ANG		FINISH	PREV		
THIS DRAWING IN DESIGN AND DETAIL IS OUR PROPERTY AND MUST NOT BE USED EXCEPT IN CONNECTION WITH OUR WORK ALL RIGHTS OF DESIGN AND INVENTION ARE RESERVED THIS IS AN ELECTRONICALLY GENERATED DOCUMENT - DO NOT SCALE THIS PRINT			RFP	CAD FILE ss75539		SIZE	DRAWING NO.	PAGE OF	REV.
			DIST	WP	A		SS75539	3	3

SINGLE VOLTAGE
CAP START/CAP RUN
REVERSIBLE NO
OVERLOAD PROTECTION



CORD OR LEAD HARNESS



RESERVE THESE
TERMINALS AND
SCREWS FOR
CUSTOMER
LINE CONN'S.

VIEWING TERM END

CCW ROTATION SHOWN.

TO REVERSE ROTATION
INTERCHANGE RED
LEAD WITH BLACK LEAD.

DASH LINES INDICATE LEADS CONNECTED
TO MOTOR SIDE OF SWITCH.

				TOLERANCES UNLESS SPECIFIED		MARATHON ELECTRIC	DRAWN RM 03/18/1992					
				DEC.	INCHES		CHK	ML	03/18/1992			
				.X	±.1	TITLE CONNECTION DIAGRAM 48 FR. DUAL VOLTAGE REVERSIBLE	APPD	GK	03/18/1992			
				.XX	±.02		SCALE	1=1				
2	ADDED CORD LEAD HARNESS	CN36522	RDH 04/03/2003	JET	.XXX		±.005	REF				
1	NEW DRAWING	3850093	RM 03/26/1992	GK	.XXXX		±.0005	FMF				
NO.	REVISION		BY & DATE	CHK	ANG	±7'30"	FINISH	PREV				
THIS DRAWING IN DESIGN AND DETAIL IS OUR PROPERTY AND MUST NOT BE USED EXCEPT IN CONNECTION WITH OUR WORK ALL RIGHTS OF DESIGN AND INVENTION ARE RESERVED THIS IS AN ELECTRONICALLY GENERATED DOCUMENT - DO NOT SCALE THIS PRINT				RFP	CAD FILE EE9007Z			SIZE	DRAWING NO.	PAGE	OF	REV.
				DIST	WP		A	EE9007Z				2

CERTIFICATION DATA SHEET

Model#: 56B17D2013 F WINDING#: BE48410 NONE 4
 CONN. DIAGRAM: A-EE9007Z ASSEMBLY: F1 ONLY
 OUTLINE: A-SS75539-750

TYPICAL MOTOR PERFORMANCE DATA

HP	KW	SYNC. RPM	F.L. RPM	FRAME	ENCLOSURE	KVA CODE	DESIGN
3/4	.56	1800	1725	56	DP	K	NO DESIGN CODE

PH	Hz	VOLTS	FL AMPS	START TYPE	DUTY	INSL	S.F	AMB°C	ELEVATION
1	60	277	4.3	ACROSS THE LINE	CONTINUOUS	B3	1.25	40	3300

FULL LOAD EFF: 72.0	3/4 LOAD EFF: 68.3	1/2 LOAD EFF: 62.2	GTD. EFF	ELEC. TYPE	NO LOAD AMPS
FULL LOAD PF: -	3/4 LOAD PF: 56.9	1/2 LOAD PF: 44.3	0	CAP START CAP RUN	2.9

F.L. TORQUE	LOCKED ROTOR AMPS	L.R. TORQUE	B.D. TORQUE	F.L. RISE°C
36 LB-FT	23.7	118 LB-FT 328	88 LB-FT 244	75

SOUND PRESSURE @ 3 FT.	SOUND POWER	ROTOR WK^2	MAX. WK^2	SAFE STALL TIME	STARTS /HOUR	APPROX. MOTOR WGT
- dBA	- dBA	0 LB-FT^2	- LB-FT^2	- SEC.	-	0 LBS.

*** SUPPLEMENTAL INFORMATION ***

DE BRACKET TYPE	ODE BRACKET TYPE	MOUNT TYPE	ORIENTATION	SEVERE DUTY	HAZARDOUS LOCATION	DRIP COVER	SCREENS	PAINT
STANDARD	STANDARD	RESILIENT BASE- EXTENDED STUDS	HORIZONTAL	FALSE	NONE	FALSE	NONE	GRAY (POWDER)

BEARINGS		GREASE	SHAFT TYPE	SPECIAL DE	SPECIAL ODE	SHAFT MATERIAL	FRAME MATERIAL
DE	OPE						
BALL	BALL	MULTEMP SRL	T	NONE	NONE	1144 STRESSPROOF (C-223)	ROLLED STEEL
6203	6203						

THERMO-PROTECTORS				THERMISTORS	CONTROL	SPACE /n HEATERS
THERMOSTATS	PROTECTORS	WDG RTDs	BRG RTDs			
NONE	NOT	NONE	NONE	NONE	FALSE	NONE VOLTS

If Inverter equals NONE, contact factory for further information

*
N
O
T
E
S
*

INVERTER TORQUE: NONE
INV. HP SPEED RANGE: NONE
ENCODER: NONE
NONE NONE
NONE NONE PPR
BRAKE: NONE NONE
NONE P/N NONE
NONE NONE
NONE FT-LB NONE V NONE Hz

** Subject to change without notice.