

PRODUCT INFORMATION PACKET

Model No: 056B17F5306
Catalog No: G575
2,1725,TEFC,56HC,1/60/115/208-230
Totally Enclosed Fan Cooled (TEFC)



Regal and Marathon are trademarks of Regal Beloit Corporation or one of its affiliated companies.
©2018 Regal Beloit Corporation, All Rights Reserved. MC017097E



Nameplate Specifications

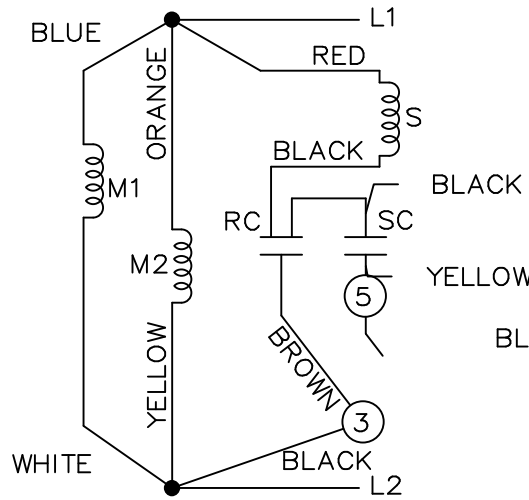
Output HP	2 Hp	Output KW	1.5 kW
Frequency	60 Hz	Voltage	115/208-230 V
Current	20.0/10.8-10.0 A	Speed	1725 rpm
Service Factor	1	Phase	1
Efficiency	80 %	Duty	Continuous
Insulation Class	F	Design Code	N
KVA Code	L	Frame	56HC
Enclosure	Totally Enclosed Fan Cooled	Overload Protector	No
Ambient Temperature	40 °C	Drive End Bearing Size	6205
Opp Drive End Bearing Size	6203	UL	Recognized
CSA	Y	CE	Y
IP Code	43		

Technical Specifications

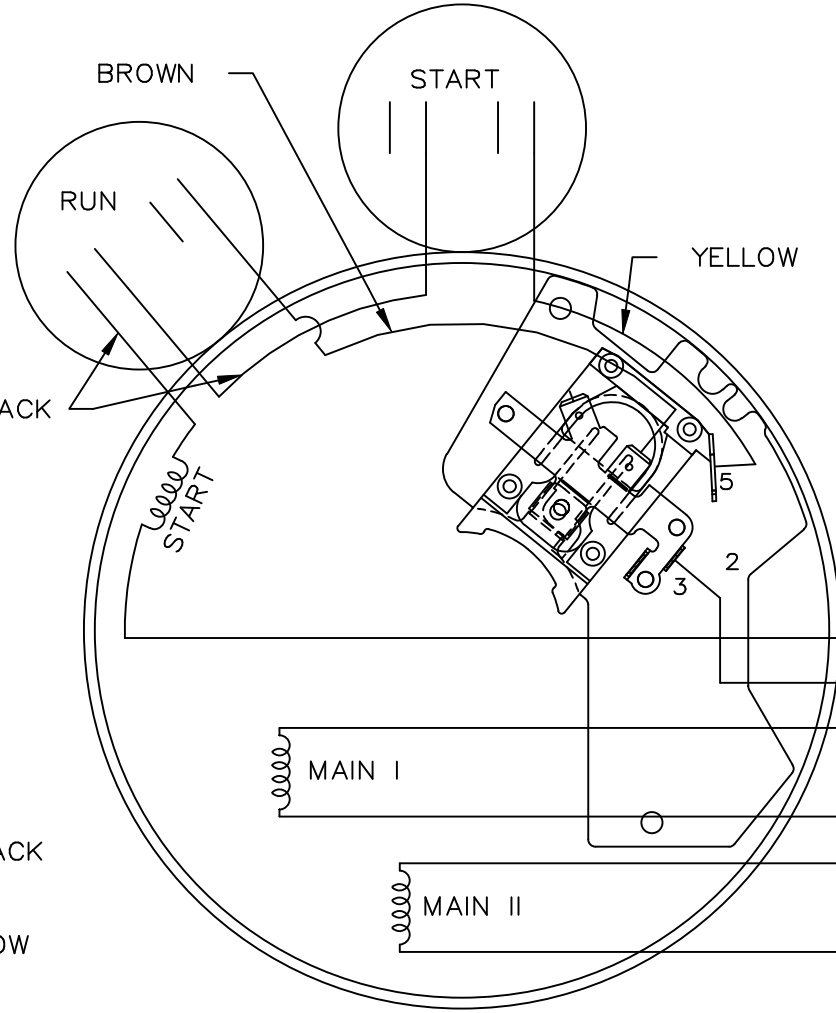
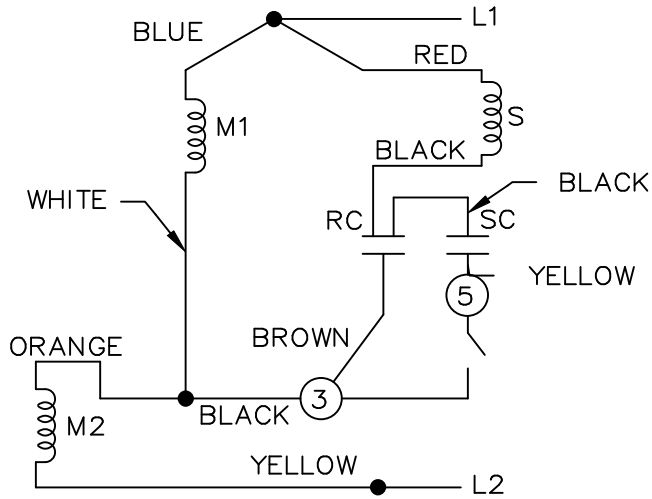
Electrical Type	Capacitor Start Capacitor Run	Starting Method	Across The Line
Poles	4	Rotation	Selective Counterclockwise
Mounting	Bolt-on Base	Motor Orientation	Horizontal
Drive End Bearing	Ball	Opp Drive End Bearing	Ball
Frame Material	Rolled Steel	Shaft Type	NEMA 56
Overall Length	14.81 in	Frame Length	9.56 in
Shaft Diameter	0.625 in	Shaft Extension	2.06 in
Assembly/Box Mounting	F1 Only		
Outline Drawing	A-100144-956	Connection Diagram	102006-51

This is an uncontrolled document once printed or downloaded and is subject to change without notice. Date Created: 06/29/2018

LOW VOLTAGE C.C.W.

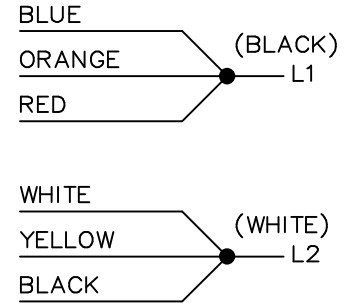


HIGH VOLTAGE C.C.W.

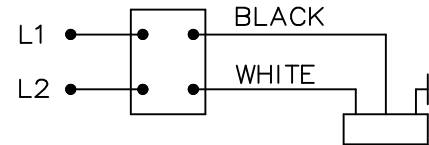
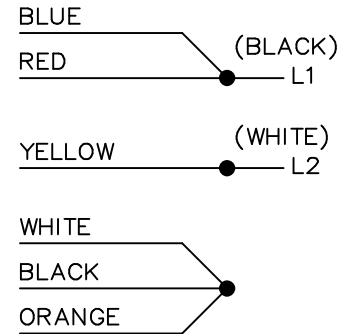


DUAL VOLTAGE CAPACITOR
START-CAP RUN NO OVERLOAD
SELECT ROTATION

LOW VOLTAGE C.C.W. ROTATION



HIGH VOLTAGE C.C.W. ROTATION



FOR C.W. ROTATION,
EITHER VOLTAGE,
INTERCHANGE RED WITH
BLACK LEAD

			TOLERANCES UNLESS SPECIFIED		MARATHON ELECTRIC	DRAWN DT 06-07-1996
			DEC.	INCHES		CHK MRB 06-16-1996
			.X	±.1	TITLE CONNECTION DIAGRAM	APPD GK 06-16-1996
			.XX	±.02		SCALE 5=8
9	ADDED CORD AND SWITCH VIEW MU37521	DRS 06-22-2001	.XXX	±.005		REF
8	REDRAWN ON CADD	DT 06-16-1996	.XXXX	±.0005	MAT'L.	FMF
NO.	REVISION	BY & DATE	CHK	ANG ±7'30"	FINISH	PREV
THIS DRAWING IN DESIGN AND DETAIL IS OUR PROPERTY AND MUST NOT BE USED EXCEPT IN CONNECTION WITH OUR WORK ALL RIGHTS OF DESIGN AND INVENTION ARE RESERVED THIS IS AN ELECTRONICALLY GENERATED DOCUMENT - DO NOT SCALE THIS PRINT			RFP	CAD FILE 102006-51		SIZE A
			DIST WP			DRAWING NO. 102006-51
					PAGE OF 9	
					REV. 9	

