

# PRODUCT INFORMATION PACKET

Model No: 056B17F5310  
Catalog No: G396  
1-1/2, 1725, TEFC, 56HC, 1/60/115/208-230  
Pressure Washers



Regal and Marathon are trademarks of Regal Beloit Corporation or one of its affiliated companies.  
©2018 Regal Beloit Corporation, All Rights Reserved. MC017097E





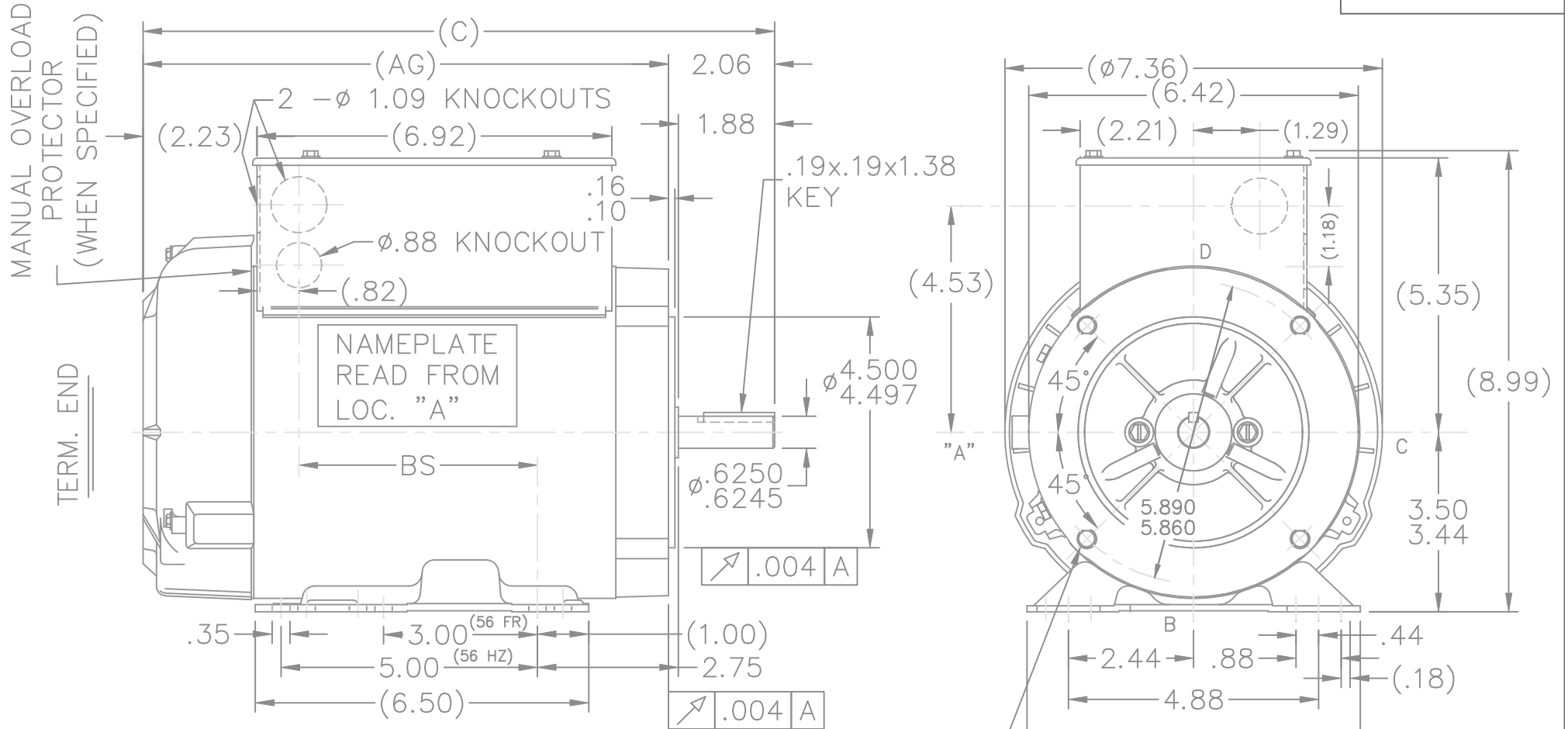
### Nameplate Specifications

Output HP	1.50 Hp	Output KW	1.1 kW
Frequency	60 Hz	Voltage	115/208-230 V
Current	13.6/7.5-6.8 A	Speed	1725 rpm
Service Factor	1.15	Phase	1
Efficiency	81.5 %	Duty	Continuous
Insulation Class	B	Design Code	NO DESIGN CODE
KVA Code	K	Frame	56HC
Enclosure	Totally Enclosed Fan Cooled	Overload Protector	Manual
Ambient Temperature	40 °C	Drive End Bearing Size	6203
Opp Drive End Bearing Size	6203	UL	Recognized ( Not Protector)
CSA	Y	CE	Y
IP Code	43		

### Technical Specifications

Electrical Type	Capacitor Start Capacitor Run	Starting Method	Across The Line
Poles	4	Rotation	Selective Clockwise
Mounting	Rigid base	Motor Orientation	Horizontal
Drive End Bearing	Ball	Opp Drive End Bearing	Ball
Frame Material	Rolled Steel	Shaft Type	T
Overall Length	13.82 in	Frame Length	8.56 in
Shaft Diameter	0.625 in	Shaft Extension	2.06 in
Assembly/Box Mounting	F3		
Outline Drawing	A-100177-856	Connection Diagram	102006-52

This is an uncontrolled document once printed or downloaded and is subject to change without notice. Date Created: 06/29/2018



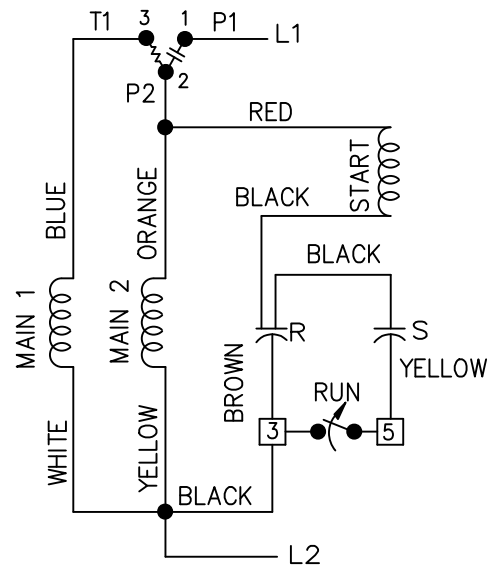
3/8-16 UNC-2B  
 .56 MIN. FULL  
 THD 4 HOLES

DASH	FR.	C	BS	AG
806	56-80	13.32	5.64	11.25
856	56-85	13.82	6.14	11.75
956	56-95	14.82	7.14	12.75
1006	56-100	15.32	7.64	13.25

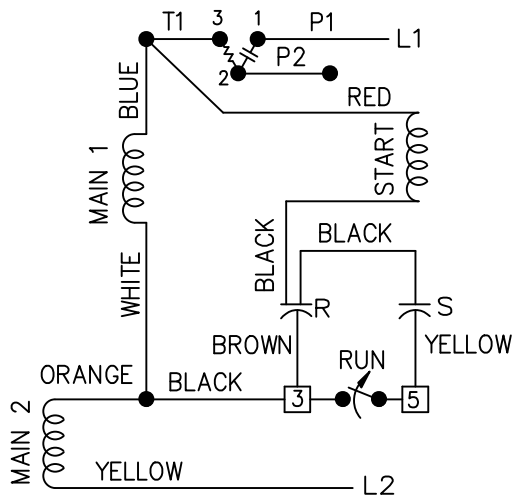
				TOLERANCES UNLESS SPECIFIED		MARATHON ELECTRIC	DRAWN KL 02-08-1994				
				DEC.	INCHES		CHK	ML	02-10-1994		
				.X	$\pm$ .1		APPD	ET	02-15-1994	SCALE	11=32
6	REDRAWN IN AUTOCAD	TAT 06-24-2005	DRS	.XX	$\pm$ .03	TITLE OUTLINE				REF	
5	KEY WAS .19X.19.1.25 CN 18128	MRB 07-14-1994		.XXX	$\pm$ .005	56TC FR. - TEFC				FMF	
4	REDRAWN ON CADD - NO CHANGES 4115448	KL 02-15-1994		.XXXX	$\pm$ .0005	MAT'L.				PREV	
NO.	REVISION	BY & DATE	CHK	ANG	$\pm$ '30"	FINISH					
			RFP			CAD FILE 100177	SIZE	DRAWING NO.	PAGE	OF	REV.
			DIST	WP			A	100177			6

THIS DRAWING IN DESIGN AND DETAIL IS OUR PROPERTY AND MUST NOT BE USED EXCEPT IN CONNECTION WITH OUR WORK ALL RIGHTS OF DESIGN AND INVENTION ARE RESERVED THIS IS AN ELECTRONICALLY GENERATED DOCUMENT - DO NOT SCALE THIS PRINT

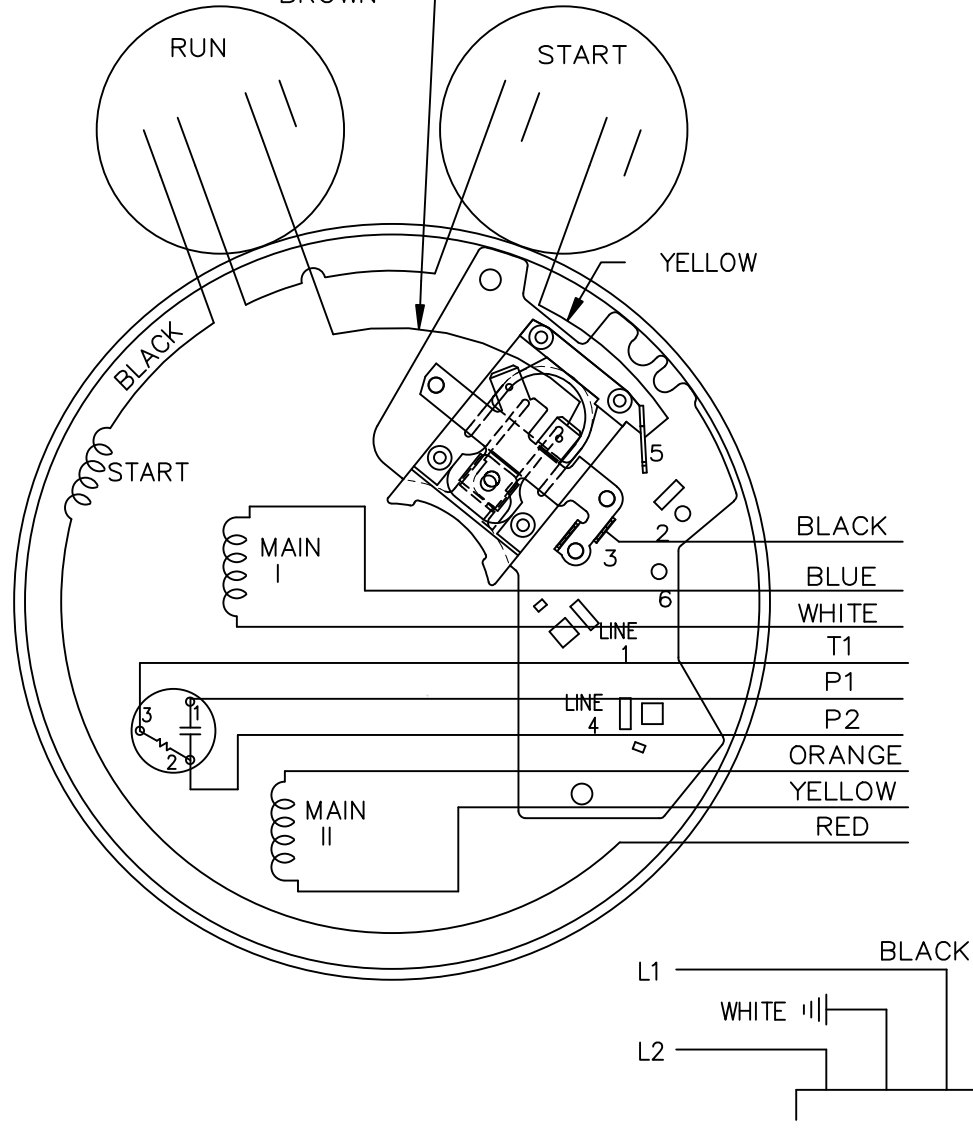
LOW VOLTAGE C.C.W.



HIGH VOLTAGE C.C.W.



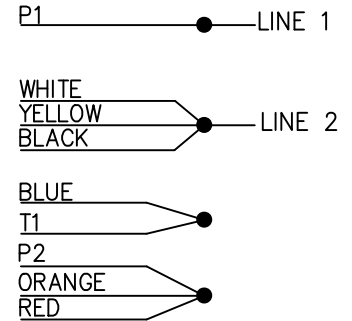
BROWN LEAD MAYBE CONNECTED ON POST 3 TO ELIMINATE GROUNDING



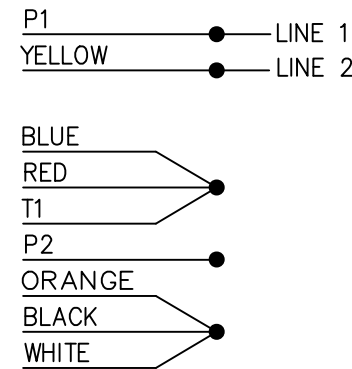
102006-52

DUAL VOLTAGE  
CAP START-CAP RUN  
OVERLOAD  
SELECT ROTATION

LOW VOLT. CCW ROT.



HIGH VOLT. CCW ROT.



FOR CW ROT. EITHER  
VOLTAGE INTERCHANGE  
RED WITH BLACK LEAD.

13	CHG'ED SWITCH TO OPEN WHEN RUNNING ISAAC 11-2715	KBB 06-23-2011	EH	TOLERANCES UNLESS SPECIFIED	
12	REMOVE 1,2,3 & 4 ON LOW & HIGH VOLT CN 31436	TJB 02-14-2002	DRS	DEC.	INCHES
11	REMOVE BRAKE VIEW CN 31436	TJB 01-30-2002	DRS	.X	±.1
10	ADDED BROW LEAD DETAIL NOTE CN 24300-323	BJW 02-28-2000		.XX	±.02
9	ADDED CORD VIEW MU20434	BLR 07-01-1998		.XXX	±.005
8	CAP LEAD COLORS REVISED CN 16210	AJS 08-29-1994		.XXXX	±.0005
NO.	REVISION	BY & DATE	CHK	ANG	±7'30"

	DRAWN ML 05-09-1992	
	CHK GK 05-09-1992	APPD FG 05-19-1992
TITLE CONNECTION DIAGRAM		SCALE 5=8
MAT'L.		REF
FINISH		FMF
		PREV

THIS DRAWING IN DESIGN AND DETAIL IS OUR PROPERTY AND MUST NOT BE USED EXCEPT IN CONNECTION WITH OUR WORK ALL RIGHTS OF DESIGN AND INVENTION ARE RESERVED THIS IS AN ELECTRONICALLY GENERATED DOCUMENT - DO NOT SCALE THIS PRINT

RFP	CAD FILE 102006-52	SIZE A	DRAWING NO. 102006-52	PAGE OF	REV. 13
DIST WP					

