

PRODUCT INFORMATION PACKET

marathon[®]
Motors

Model No: 056B17T20
Catalog No: X913
1/2, 1725, TENV, 56, 1/60/115/230
Single Phase



Regal and Marathon are trademarks of Regal Beloit Corporation or one of its affiliated companies.

©2018 Regal Beloit Corporation, All Rights Reserved. MC017097E

REGAL[®]

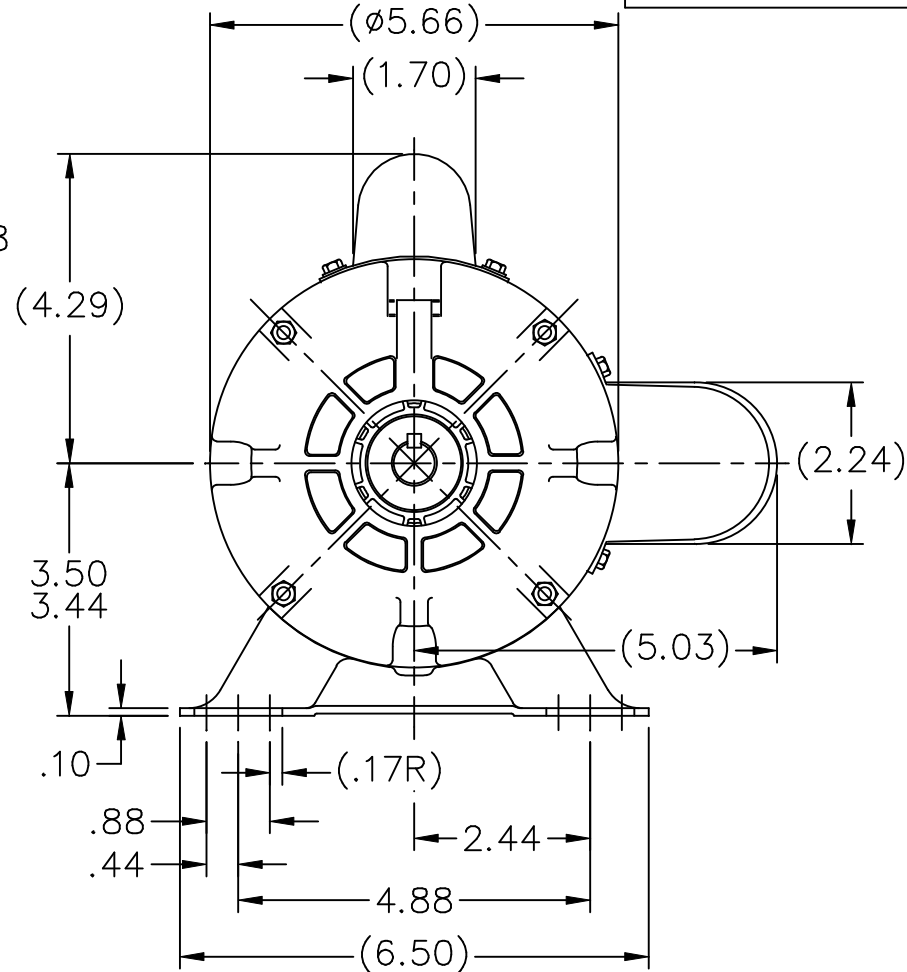
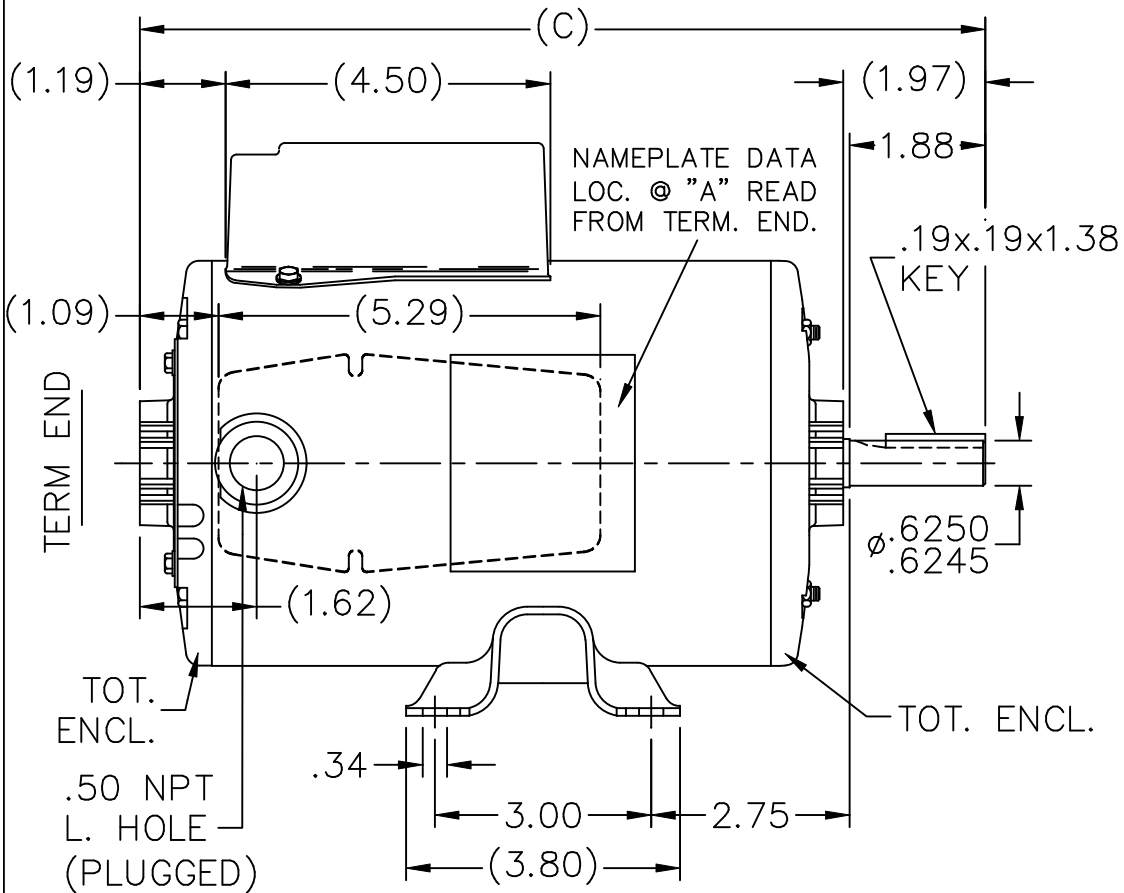


Nameplate Specifications


Output HP	0.50 Hp	Output KW	0.37 kW
Frequency	60 Hz	Voltage	115/230 V
Current	4.6/2.3 A	Speed	1725 rpm
Service Factor	1	Phase	1
Efficiency	78.7 %	Duty	Continuous
Insulation Class	B	Design Code	NO DESIGN CODE
KVA Code	F	Frame	56
Enclosure	Totally Enclosed Air Over	Overload Protector	Auto Lock Rotor Only
Ambient Temperature	40 °C	Drive End Bearing Size	6203
Opp Drive End Bearing Size	6203	UL	Recognized
CSA	Y	CE	N
IP Code	43		

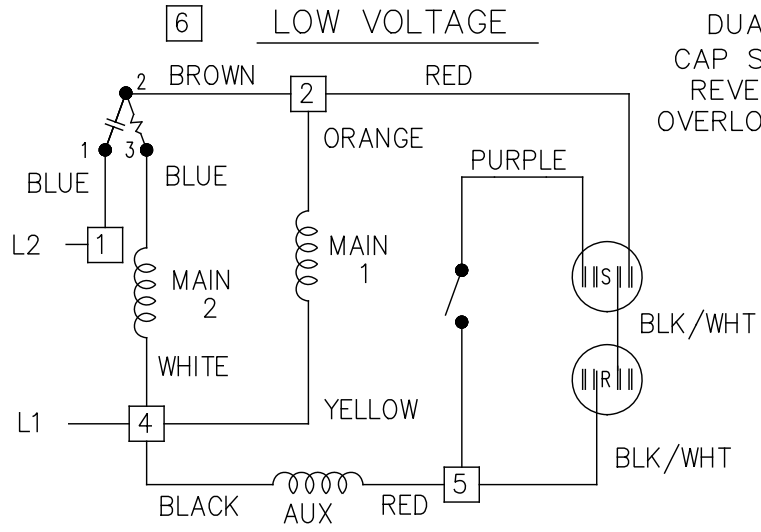
Technical Specifications

Electrical Type	Capacitor Start Capacitor Run	Starting Method	Across The Line
Poles	4	Rotation	Selective Counterclockwise
Mounting	Rigid base	Motor Orientation	Horizontal
Drive End Bearing	Ball	Opp Drive End Bearing	Ball
Frame Material	Rolled Steel	Shaft Type	T
Overall Length	10.47 in	Frame Length	6.50 in
Shaft Diameter	0.625 in	Shaft Extension	1.97 in
Assembly/Box Mounting	F1 Only		
Outline Drawing	A-SS75533-650	Connection Diagram	A-EE9002F

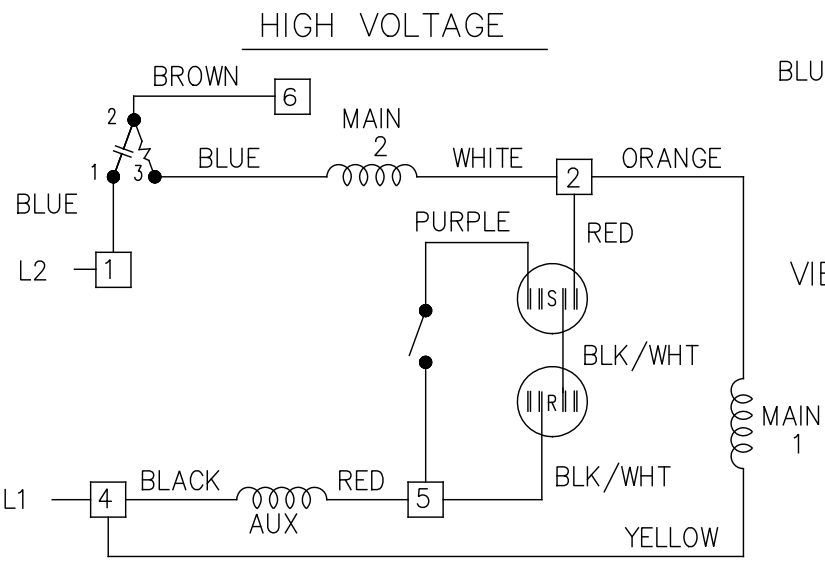
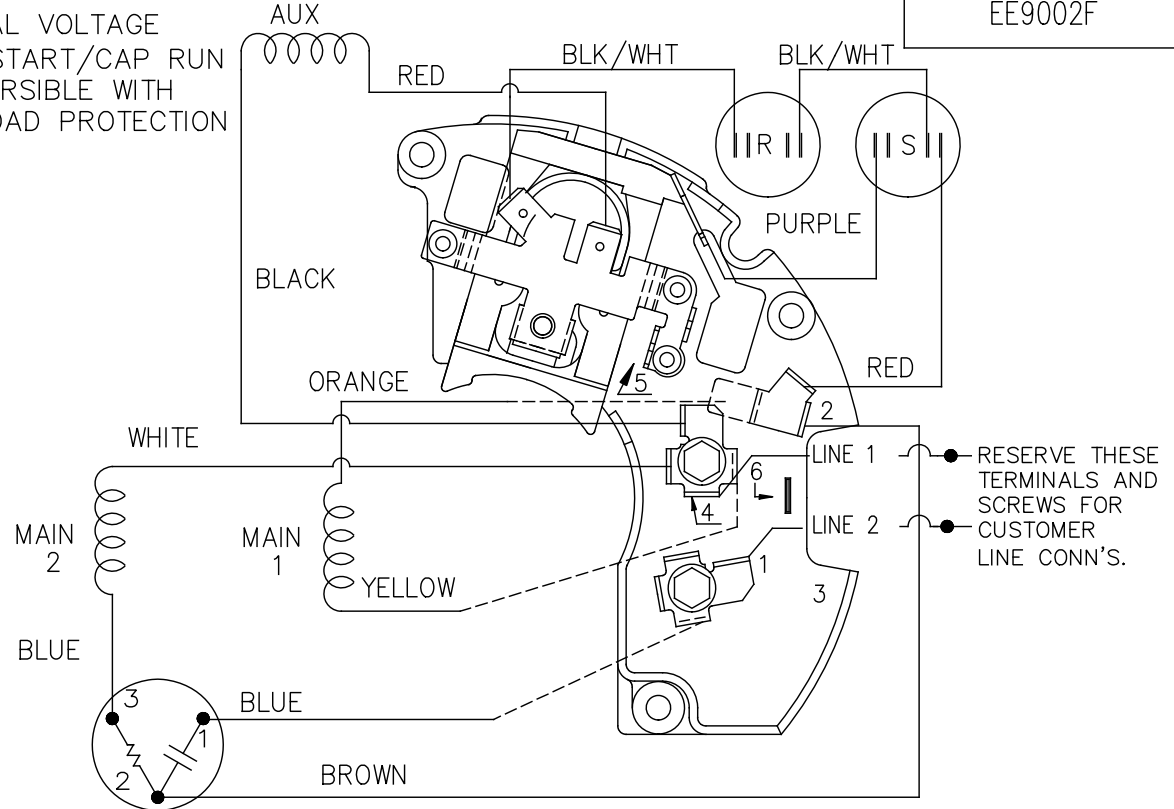


DASH	FR.	C	
650	48	10.47	
675	48	10.72	

			TOLERANCES UNLESS SPECIFIED			DRAWN RM 03-10-1992
			DEC.	INCHES		CHK ML 03-12-1992
			.X	±.1		APPD MB 03-14-1992
3	UPDATED DRAWING	TJW 04/20/2007	.XX	±.03	TITLE OUTLINE	SCALE 3=8
2	REDRAWN IN AUTOCAD	TAT 05-09-2005	ML	.XXX ±.005		REF
1	NEW DRAWING 3893983	RM 03-20-1992		.XXXX ±.0005	MAT'L.	FMF
NO.	REVISION	BY & DATE	CHK	ANG ±7'30"	FINISH	PREV
THIS DRAWING IN DESIGN AND DETAIL IS OUR PROPERTY AND MUST NOT BE USED EXCEPT IN CONNECTION WITH OUR WORK ALL RIGHTS OF DESIGN AND INVENTION ARE RESERVED THIS IS AN ELECTRONICALLY GENERATED DOCUMENT - DO NOT SCALE THIS PRINT			RFP	CAD FILE ss75533	SIZE A	DRAWING NO. SS75533
			DIST WP			PAGE 3 OF 3
						REV. 3



DUAL VOLTAGE
CAP START/CAP RUN
REVERSIBLE WITH
OVERLOAD PROTECTION




LOW VOLTAGE CCW ROTATION SHOWN.

FOR HIGH VOLTAGE
CONNECT BROWN TERM 2 TO TERM 6.
CONNECT WHITE TERM 4 TO TERM 2.

TO REVERSE ROTATION EITHER
VOLTAGE INTERCHANGE RED
LEAD WITH BLACK LEAD.

DASH LINES INDICATE LEADS CONNECTED
TO MOTOR SIDE OF SWITCH.

5	REVISED LINE 2 LOCATION	RM 01-28-1991	TOLERANCES UNLESS SPECIFIED		 Regal Beloit America, Inc.	DRAWN ML 02-11-1988
4	UPDATED SCHEMATIC PER CN 6014	DA 08-01-1990	DEC.	INCHES		CHK FG 02-11-1988
3	RED LEAD FROM AUX WAS ON ANGLE TERM.	DA 07-02-1990	.X	± -		APPD DNR 03-11-1988
	PURPLE LEAD WAS RED CN 6014		.XX	± -		SCALE 1=1
2	ADDED CUSTOMER CONNECTION NOTE. CN 6011	BW 08-03-1989	.XXX	± -		REF
1	NEW DRAWING	ML 08-19-1988	.XXXX	± -	MAT'L.	FMF
NO.	REVISION	BY & DATE	CHK	ANG	FINISH	PREV

THIS DRAWING IN DESIGN AND DETAIL IS OUR PROPERTY AND MUST NOT BE USED EXCEPT IN CONNECTION WITH OUR WORK ALL RIGHTS OF DESIGN AND INVENTION ARE RESERVED THIS IS AN ELECTRONICALLY GENERATED DOCUMENT - DO NOT SCALE THIS PRINT

RFP	CAD FILE EE9002F	SIZE A	DRAWING NO. EE9002F	PAGE OF	REV. 5
DIST WP					

CERTIFICATION DATA SHEET

Model#: 56B17T20 F WINDING#: BE48419 NONE 3
 CONN. DIAGRAM: A-EE9002F ASSEMBLY: F1 ONLY
 OUTLINE: A-SS75533-650

TYPICAL MOTOR PERFORMANCE DATA

HP	KW	SYNC. RPM	F.L. RPM	FRAME	ENCLOSURE	KVA CODE	DESIGN
1/2	.37	1800	1725	56	TEAO	F	NO DESIGN CODE

PH	Hz	VOLTS	FL AMPS	START TYPE	DUTY	INSL	S.F	AMB°C	ELEVATION
1	60	115/230	4.6/2.3	ACROSS THE LINE	CONTINUOUS	B3	1.0	40	3300

FULL LOAD EFF: 78.7	3/4 LOAD EFF: 76.3	1/2 LOAD EFF: 69.5	GTD. EFF	ELEC. TYPE	NO LOAD AMPS
FULL LOAD PF: 93.6	3/4 LOAD PF: 92.9	1/2 LOAD PF: 91.4	0	CAP START CAP RUN	1.3 / .7

F.L. TORQUE	LOCKED ROTOR AMPS	L.R. TORQUE	B.D. TORQUE	F.L. RISE°C
24.2 LB-FT	22.8 / 11.4	33 LB-FT 136	52 LB-FT 215	0

SOUND PRESSURE @ 3 FT.	SOUND POWER	ROTOR WK^2	MAX. WK^2	SAFE STALL TIME	STARTS /HOUR	APPROX. MOTOR WGT
0 dBA	10 dBA	0 LB-FT^2	0 LB-FT^2	0 SEC.	0	0 LBS.

*** SUPPLEMENTAL INFORMATION ***

DE BRACKET TYPE	ODE BRACKET TYPE	MOUNT TYPE	ORIENTATION	SEVERE DUTY	HAZARDOUS LOCATION	DRIP COVER	SCREENS	PAINT
STANDARD	STANDARD	RIGID	HORIZONTAL	FALSE	NONE	FALSE	NONE	GRAY (POWDER)

BEARINGS		GREASE	SHAFT TYPE	SPECIAL DE	SPECIAL ODE	SHAFT MATERIAL	FRAME MATERIAL
DE	OPE	MULTEMP SRL	T	NONE	NONE	1144 STRESSPROOF (C-223)	ROLLED STEEL
BALL	BALL						
6203	6203						

THERMO-PROTECTORS				THERMISTORS	CONTROL	SPACE /n HEATERS
THERMOSTATS	PROTECTORS	WDG RTDs	BRG RTDs			
NONE	AUT LCK RTR ONLY	NONE	NONE	NONE	FALSE	NONE VOLTS

If Inverter equals NONE, contact factory for further information

INVERTER TORQUE: NONE
INV. HP SPEED RANGE: NONE
ENCODER: NONE
NONE NONE
NONE NONE PPR
BRAKE: NONE NONE
NONE P/N NONE
NONE NONE
NONE FT-LB NONE V NONE Hz

*
N
O
T
E
S
*

DATE: 06/27/2017 06:10:14 AM
 FORM 3531 REV.3 02/07/99
 ** Subject to change without notice.