

# PRODUCT INFORMATION PACKET

Model No: 056B34D2029  
Catalog No: D010  
1,3450,DP,56,1/60/115/208-230  
Pressure Washers



Regal and Marathon are trademarks of Regal Beloit Corporation or one of its affiliated companies.  
©2018 Regal Beloit Corporation, All Rights Reserved. MC017097E



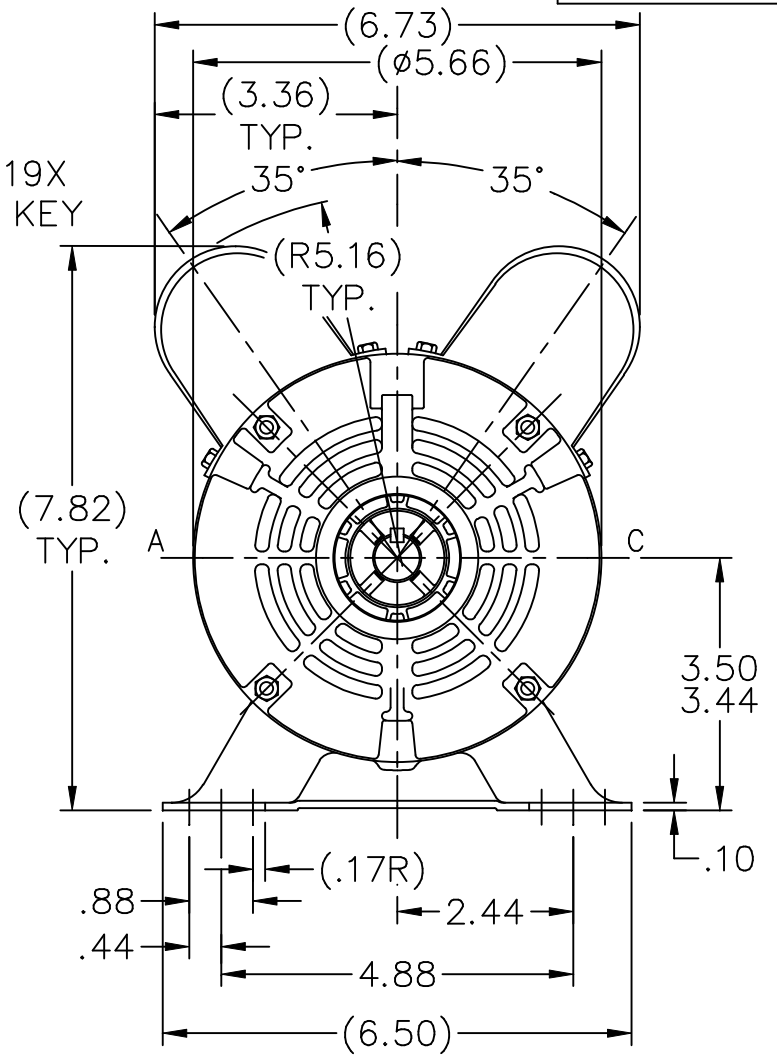
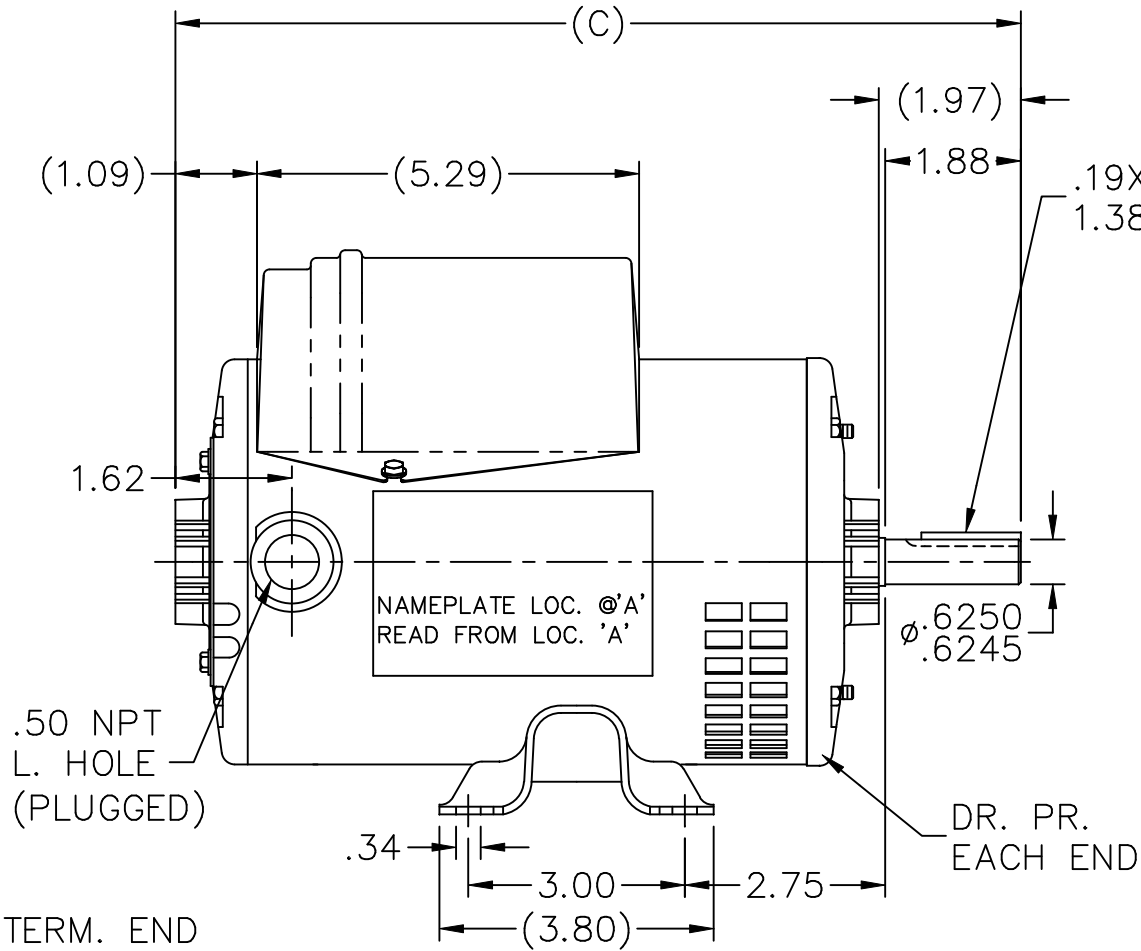
**Nameplate Specifications**

Output HP	<b>1 Hp</b>	Output KW	<b>0.75 kW</b>
Frequency	<b>60 Hz</b>	Voltage	<b>115/208-230 V</b>
Current	<b>10.6/5.5-5.3 A</b>	Speed	<b>3450 rpm</b>
Service Factor	<b>1.15</b>	Phase	<b>1</b>
Efficiency	<b>72 %</b>	Duty	<b>Continuous</b>
Insulation Class	<b>B</b>	Design Code	<b>NO DESIGN CODE</b>
KVA Code	<b>E</b>	Frame	<b>56</b>
Enclosure	<b>Drip Proof</b>	Overload Protector	<b>Manual</b>
Ambient Temperature	<b>40 °C</b>	Drive End Bearing Size	<b>6203</b>
Opp Drive End Bearing Size	<b>6203</b>	UL	<b>Recognized</b>
CSA	<b>Y</b>	CE	<b>N</b>
IP Code	<b>22</b>		

**Technical Specifications**

Electrical Type	<b>Capacitor Start Capacitor Run</b>	Starting Method	<b>Across The Line</b>
Poles	<b>2</b>	Rotation	<b>Selective Counterclockwise</b>
Mounting	<b>Rigid Base</b>	Motor Orientation	<b>Horizontal</b>
Drive End Bearing	<b>Ball</b>	Opp Drive End Bearing	<b>Ball</b>
Frame Material	<b>Rolled Steel</b>	Shaft Type	<b>T</b>
Overall Length	<b>11.72 in</b>	Shaft Diameter	<b>0.625 in</b>
Shaft Extension	<b>1.88 in</b>	Assembly/Box Mounting	<b>F1 Only</b>
Outline Drawing	<b>A-SS73736-775</b>	Connection Diagram	<b>A-EE9002F</b>

**This is an uncontrolled document once printed or downloaded and is subject to change without notice. Date Created: 10/08/2018**



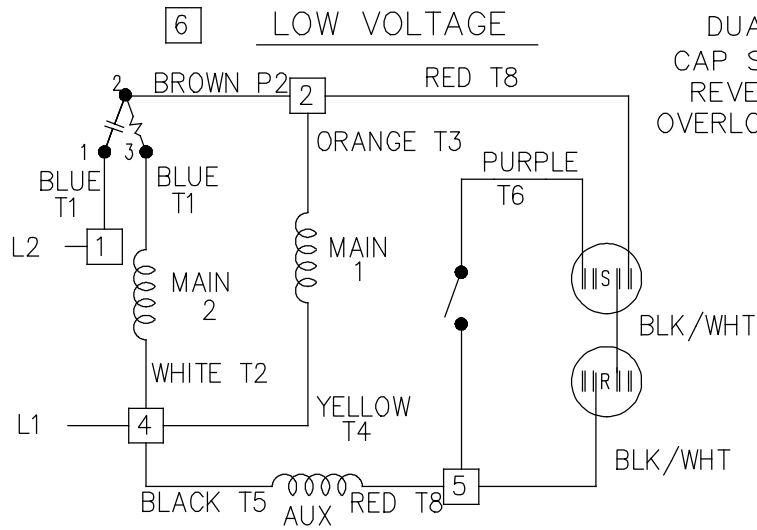
DASH	C	DASH	C	DASH	C
725	11.22	800	11.97	850	12.47
750	11.47	825	12.22		
775	11.72	875	12.72		

				TOLERANCES UNLESS SPECIFIED	
				DEC.	INCHES
				.X	$\pm .1$
				.XX	$\pm .03$
6	REDRAWN IN AUTOCAD	TAT 05-19-2005	ML	.XXX	$\pm .005$
5	REDRAWN ON CADD - UPDATED	RM 10-20-1992		.XXXX	$\pm .0005$
NO.	REVISION	BY & DATE	CHK	ANG	$\pm 7'30''$
THIS DRAWING IN DESIGN AND DETAIL IS OUR PROPERTY AND MUST NOT BE USED EXCEPT IN CONNECTION WITH OUR WORK ALL RIGHTS OF DESIGN AND INVENTION ARE RESERVED THIS IS AN ELECTRONICALLY GENERATED DOCUMENT - DO NOT SCALE THIS PRINT				RFP	
				DIST	WP

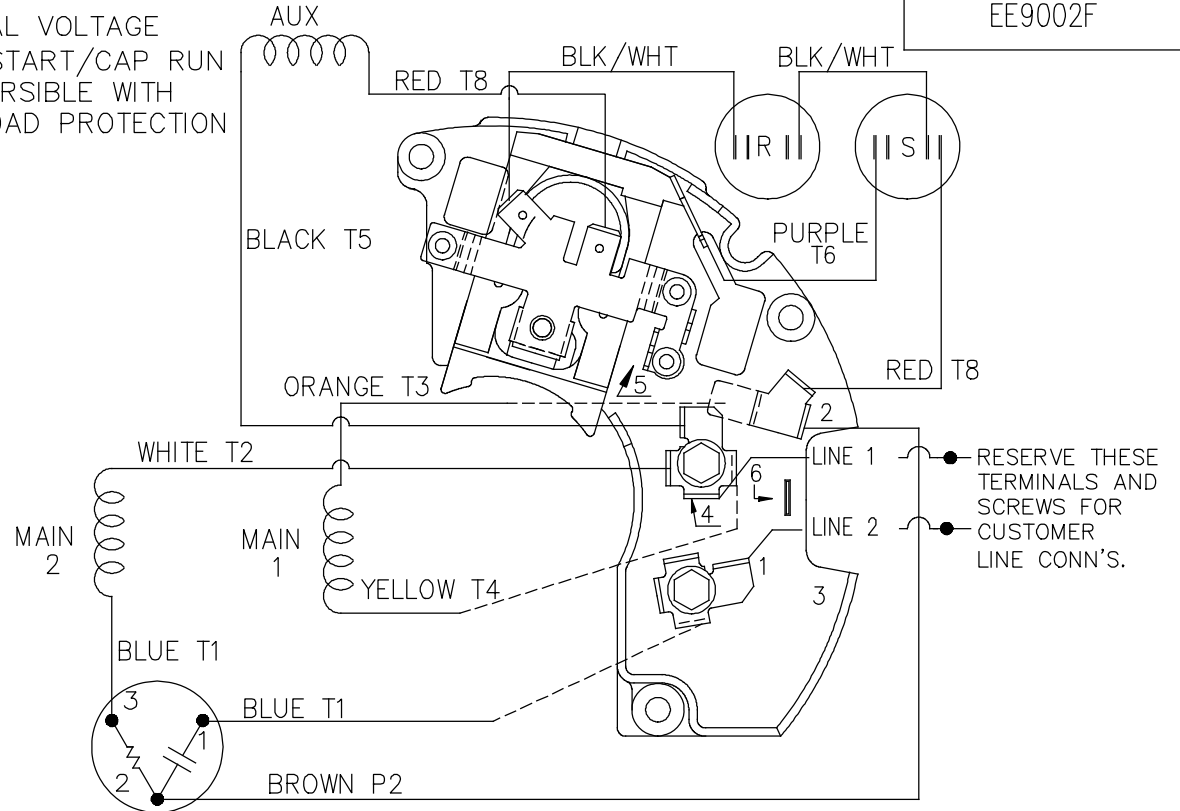


TITLE	OUTLINE
48 FR. - 1 $\phi$	
MAT'L.	
FINISH	
CAD FILE	ss73736

DRAWN	RM 10-03-1990
CHK	ML 10-04-990
APPD	RJS 10-20-1992
SCALE	3=8
REF	
FMF	
PREV	
SIZE	A
DRAWING NO.	SS73736
PAGE	OF
6	8
REV.	6



DUAL VOLTAGE  
CAP START/CAP RUN  
REVERSIBLE WITH  
OVERLOAD PROTECTION



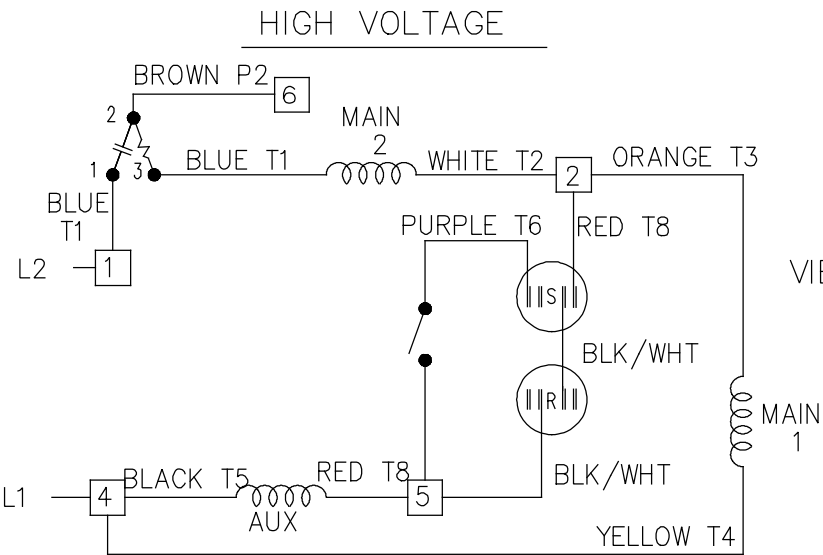
VIEWING TERM END


LOW VOLTAGE CCW ROTATION SHOWN.

FOR HIGH VOLTAGE  
CONNECT BROWN TERM 2 TO TERM 6.  
CONNECT WHITE TERM 4 TO TERM 2.

TO REVERSE ROTATION EITHER  
VOLTAGE INTERCHANGE RED  
LEAD WITH BLACK LEAD.

DASH LINES INDICATE LEADS CONNECTED  
TO MOTOR SIDE OF SWITCH.



6	ADDED T MARKINGS	DS 07/19/2018	VC	TOLERANCES UNLESS SPECIFIED		 <b>Regal Beloit America, Inc.</b>	DRAWN ML 02-11-1988		
5	REVISED LINE 2 LOCATION	RM 01-28-1991		DEC.	INCHES		CHK FG 02-11-1988		
4	UPDATED SCHEMATIC PER CN 6014	DA 08-01-1990		.X	± -	APPD DNR 03-11-1988			
3	RED LEAD FROM AUX WAS ON ANGLE TERM.	DA 07-02-1990		.XX	± -	TITLE CONNECTION DIAGRAM	SCALE 1=1		
	PURPLE LEAD WAS RED CN 6014			.XXX	± -	48 FR. DUAL VOLTAGE REVERSIBLE	REF		
2	ADDED CUSTOMER CONNECTION NOTE. CN 6011	BW 08-03-1989		.XXXX	± -	MAT'L.	FMF		
NO.	REVISION	BY & DATE	CHK	ANG	± -	FINISH	PREV		
THIS DRAWING IN DESIGN AND DETAIL IS OUR PROPERTY AND MUST NOT BE USED EXCEPT IN CONNECTION WITH OUR WORK ALL RIGHTS OF DESIGN AND INVENTION ARE RESERVED THIS IS AN ELECTRONICALLY GENERATED DOCUMENT - DO NOT SCALE THIS PRINT			RFP	CAD FILE EE9002F		SIZE A	DRAWING NO. EE9002F	PAGE OF	REV. 6
			DIST WP						

