

PRODUCT INFORMATION PACKET

Model No: 056B34D5302
Catalog No: D017
5,3600,DP,56H,1/60/230
Air Compressor



Regal and Marathon are trademarks of Regal Beloit Corporation or one of its affiliated companies.
©2018 Regal Beloit Corporation, All Rights Reserved. MC017097E



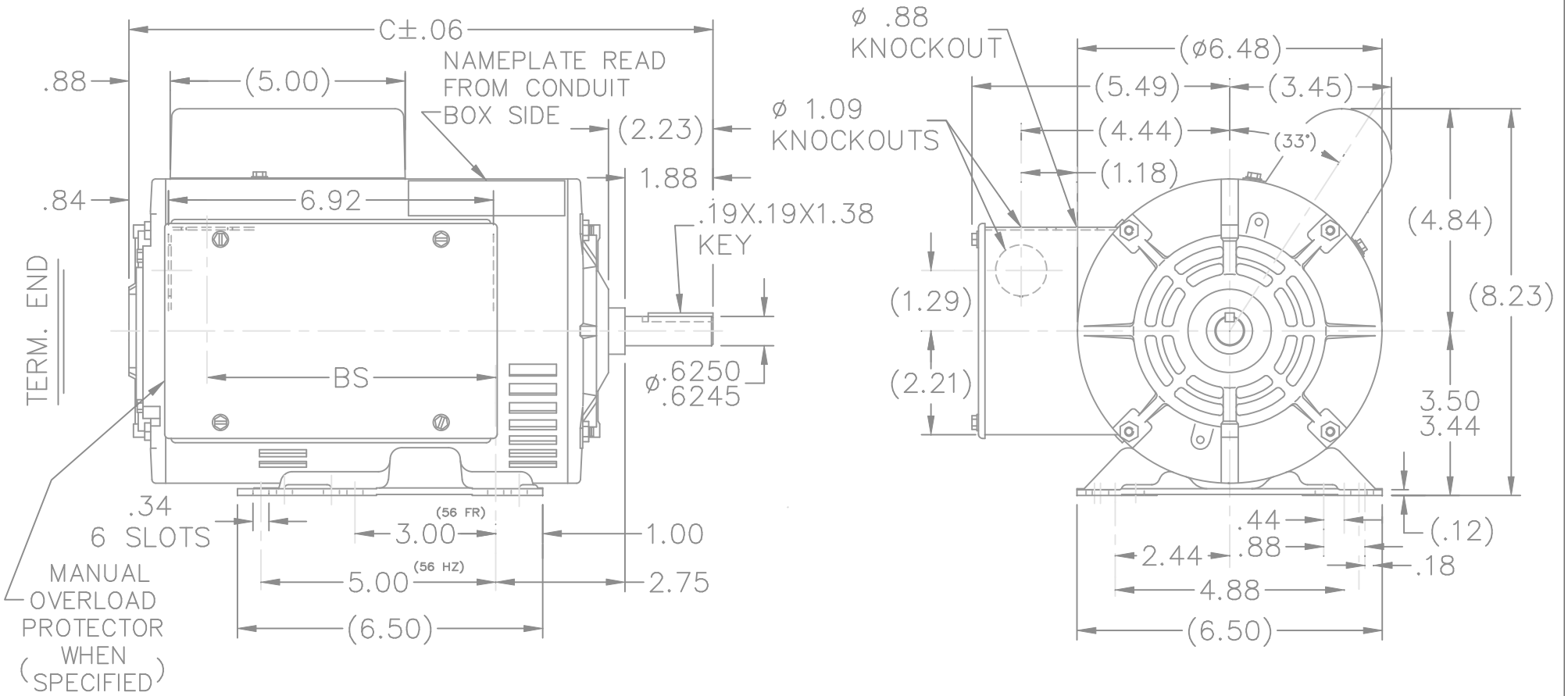


Nameplate Specifications

Output HP	5 Hp	Output KW	3.7 kW
Frequency	60 Hz	Voltage	230 V
Current	20.0 A	Speed	3450 rpm
Service Factor	1.15	Phase	1
Efficiency	84 %	Duty	Continuous
Insulation Class	B	Design Code	NO DESIGN CODE
KVA Code	H	Frame	56H
Enclosure	Drip Proof	Overload Protector	Manual
Ambient Temperature	40 °C	Drive End Bearing Size	6205
Opp Drive End Bearing Size	6205	UL	Recognized (Not Protector)
CSA	Y	CE	Y
IP Code	22		

Technical Specifications

Electrical Type	Capacitor Start Capacitor Run	Starting Method	Across The Line
Poles	2	Rotation	Selective Counterclockwise
Mounting	Rigid base	Motor Orientation	Horizontal
Drive End Bearing	Ball	Opp Drive End Bearing	Ball
Frame Material	Rolled Steel	Shaft Type	NEMA 56
Overall Length	13.94 in	Frame Length	10.06 in
Shaft Diameter	0.625 in	Shaft Extension	2.23 in
Assembly/Box Mounting	F1 Only		
Outline Drawing	A-100290-1006	Connection Diagram	102006-81



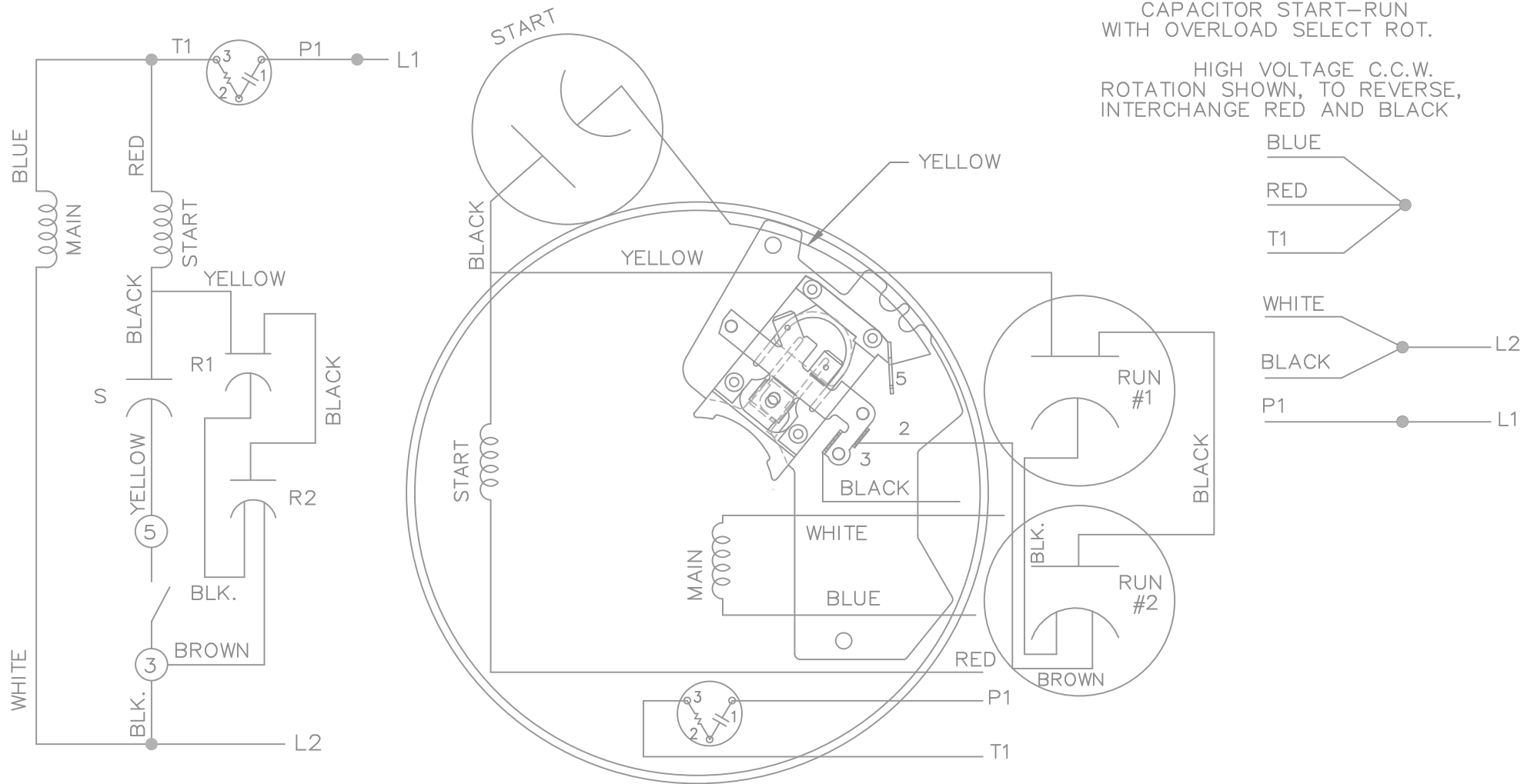
DASH	FR.	C	BS		DASH	FR.	C	BS	
					856	56-85	12.44	6.15	
					906	" -90	12.94	6.65	
756	56-75	11.44	5.15		956	" -95	13.44	7.15	
806	" -80	11.94	5.65		1006	"-106	13.94	7.65	

				TOLERANCES UNLESS SPECIFIED			DRAWN GK 04-18-1988							
				DEC.	INCHES		CHK							
4	UPDATED DRAWING			RJW	03-28-2007	.X	±.1	APPD						
3	REDRAWN IN AUTOCAD			TAT	05-09-2005	ML	.XX	±.03	SCALE	5=16				
2	NAMEPLATE WAS BETWEEN C'BOX & CAP. CN 11216			GK	07-25-1989		.XXX	±.005	REF					
1	NEW DRAWING 3476761			GK	04-18-1988		.XXXX	±.0005	FMF					
NO.	REVISION			BY & DATE		CHK	ANG	±7'30"	FINISH	PREV				
THIS DRAWING IN DESIGN AND DETAIL IS OUR PROPERTY AND MUST NOT BE USED EXCEPT IN CONNECTION WITH OUR WORK ALL RIGHTS OF DESIGN AND INVENTION ARE RESERVED THIS IS AN ELECTRONICALLY GENERATED DOCUMENT - DO NOT SCALE THIS PRINT						RFP	CAD FILE 100290			SIZE	DRAWING NO.	PAGE	OF	REV.
						DIST	WP				A	100290		4

HIGH VOLTAGE C.C.W.

HIGH VOLTAGE
CAPACITOR START-RUN
WITH OVERLOAD SELECT ROT.

HIGH VOLTAGE C.C.W.
ROTATION SHOWN, TO REVERSE,
INTERCHANGE RED AND BLACK



				TOLERANCES UNLESS SPECIFIED			DRAWN PGK 09-18-1996			
				DEC.	INCHES		CHK KL 10-04-1996			
				.X	±.1		APPD ML 10-04-1996			
				.XX	±.02		SCALE 5=8			
				.XXX	±.005		REF			
4	REDRAWN ON CADD	PGK 10-04-1996		.XXXX	±.0005	MAT'L.	FMF			
NO.	REVISION	BY & DATE	CHK	ANG	±'30"	FINISH	PREV			
THIS DRAWING IN DESIGN AND DETAIL IS OUR PROPERTY AND MUST NOT BE USED EXCEPT IN CONNECTION WITH OUR WORK ALL RIGHTS OF DESIGN AND INVENTION ARE RESERVED THIS IS AN ELECTRONICALLY GENERATED DOCUMENT - DO NOT SCALE THIS PRINT				RFP		CAD FILE 102006-81	SIZE A	DRAWING NO. 102006-81	PAGE OF 4	REV. 4
				DIST	WP					

CERTIFICATION DATA SHEET

Model#: 56B34D5302 K **WINDING#:** ZB224 NONE 4
CONN. DIAGRAM: 102006-81 **ASSEMBLY:** F1 ONLY
OUTLINE: A-100290-1006

TYPICAL MOTOR PERFORMANCE DATA

HP	KW	SYNC. RPM	F.L. RPM	FRAME	ENCLOSURE	KVA CODE	DESIGN
5	3.70	3600	3450	56H	DP	H	NO DESIGN CODE

PH	Hz	VOLTS	FL AMPS	START TYPE	DUTY	INSL	S.F	AMB°C	ELEVATION
1	60	230	20	ACROSS THE LINE	CONTINUOUS	B3	1.15	40	3300

FULL LOAD EFF: 84	3/4 LOAD EFF: 83.2	1/2 LOAD EFF: 78.6	GTD. EFF	ELEC. TYPE	NO LOAD AMPS
FULL LOAD PF: 98.6	3/4 LOAD PF: 99.4	1/2 LOAD PF: 99.1	0	CAP START CAP RUN	3.2

F.L. TORQUE	LOCKED ROTOR AMPS	L.R. TORQUE	B.D. TORQUE	F.L. RISE°C
7.45 LB-FT	135	13.8 LB-FT 0	19.8 LB-FT -	85

SOUND PRESSURE @ 3 FT.	SOUND POWER	ROTOR WK^2	MAX. WK^2	SAFE STALL TIME	STARTS /HOUR	APPROX. MOTOR WGT
0 dBA	10 dBA	0 LB-FT^2	0 LB-FT^2	0 SEC.	0	0 LBS.

***** SUPPLEMENTAL INFORMATION *****

DE BRACKET TYPE	ODE BRACKET TYPE	MOUNT TYPE	ORIENTATION	SEVERE DUTY	HAZARDOUS LOCATION	DRIP COVER	SCREENS	PAINT
STANDARD	STANDARD	RIGID	HORIZONTAL	FALSE	NONE	FALSE	NONE	BLACK (POWDER)

BEARINGS		GREASE	SHAFT TYPE	SPECIAL DE	SPECIAL ODE	SHAFT MATERIAL	FRAME MATERIAL
DE	OPE	POLYREX EM	STANDARD 56	NONE	NONE	1144 STRESSPROOF (C-223)	ROLLED STEEL
BALL	BALL						
6205	6205						

THERMO-PROTECTORS				THERMISTORS	CONTROL	SPACE /n HEATERS
THERMOSTATS	PROTECTORS	WDG RTDs	BRG RTDs	NONE	FALSE	NONE VOLTS
NONE	MANUAL	NONE	NONE			

If Inverter equals NONE, contact factory for further information

INVERTER TORQUE: NONE
INV. HP SPEED RANGE: NONE
ENCODER: NONE
NONE NONE
NONE NONE PPR
BRAKE: NONE NONE
NONE P/N NONE
NONE NONE
NONE FT-LB NONE V NONE Hz

*
N
O
T
E
S
*

DATE: 06/27/2017 06:21:50 AM
 FORM 3531 REV.3 02/07/99
 ** Subject to change without notice.