

PRODUCT INFORMATION PACKET

Model No: 056B34F5312
Catalog No: K615
2,3450,TEFC,56HC,1/60/115/230
Pressure Washers



Regal and Marathon are trademarks of Regal Beloit Corporation or one of its affiliated companies.

©2018 Regal Beloit Corporation, All Rights Reserved. MC017097E





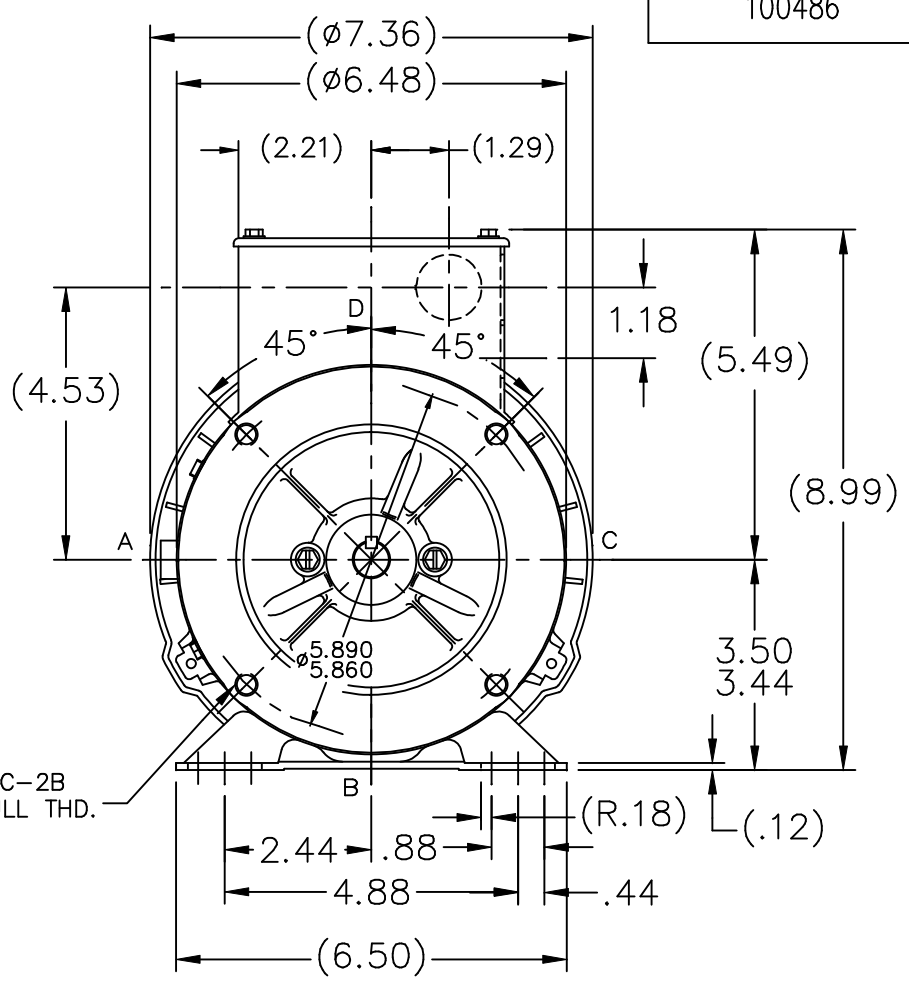
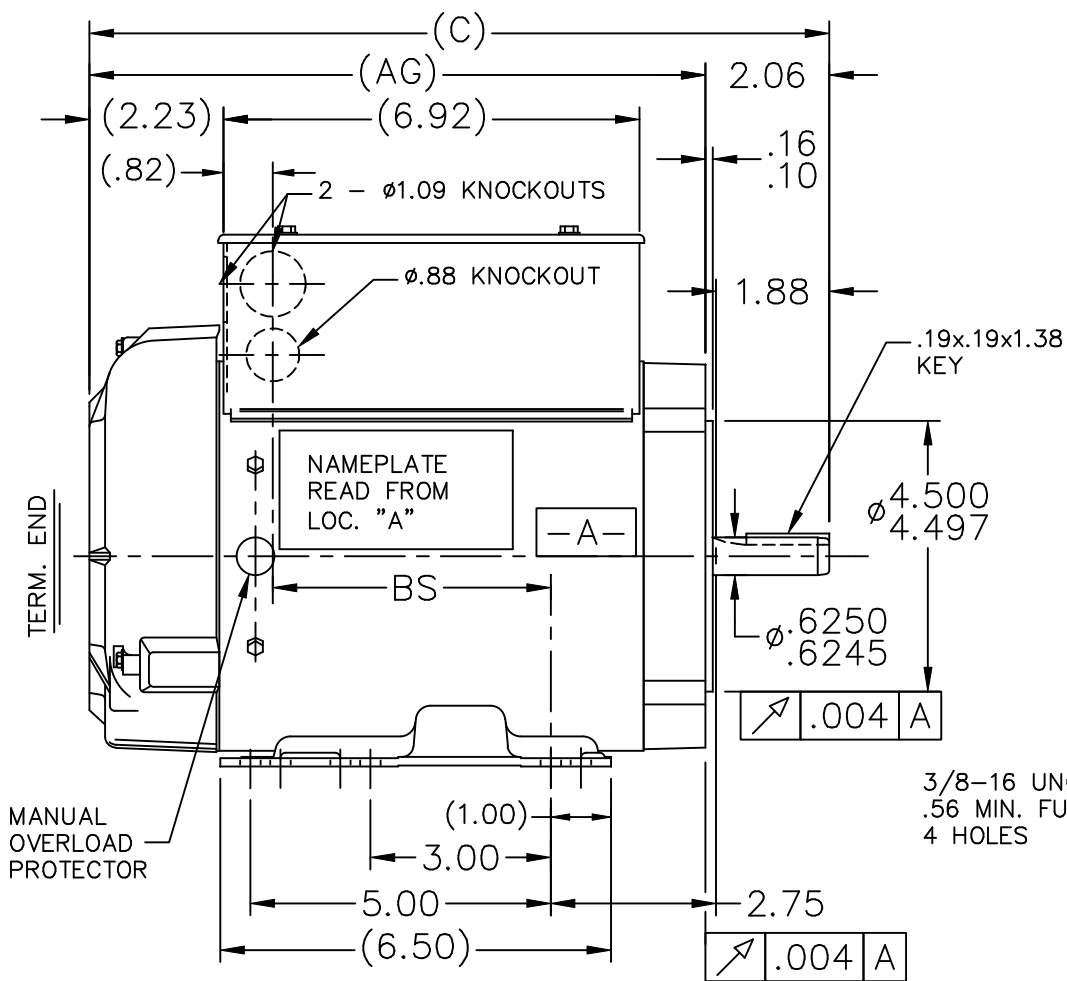
Nameplate Specifications

Output HP	2 Hp	Output KW	1.5 kW
Frequency	60 Hz	Voltage	115/230 V
Current	17.5/8.7 A	Speed	3450 rpm
Service Factor	1.15	Phase	1
Efficiency	80.5 %	Duty	Continuous
Insulation Class	B	Design Code	NO DESIGN CODE
KVA Code	J	Frame	56HC
Enclosure	Totally Enclosed Fan Cooled	Overload Protector	Manual
Ambient Temperature	40 °C	Drive End Bearing Size	6203
Opp Drive End Bearing Size	6203	UL	Recognized (Not Protector)
CSA	Y	CE	N
IP Code	43		

Technical Specifications

Electrical Type	Capacitor Start Capacitor Run	Starting Method	Across The Line
Poles	2	Rotation	Selective Clockwise
Mounting	Rigid base	Motor Orientation	Horizontal
Drive End Bearing	Ball	Opp Drive End Bearing	Ball
Frame Material	Rolled Steel	Shaft Type	T
Overall Length	13.32 in	Shaft Diameter	0.625 in
Shaft Extension	1.88 in	Assembly/Box Mounting	F3
Outline Drawing	A-100486-806	Connection Diagram	A-102006-52

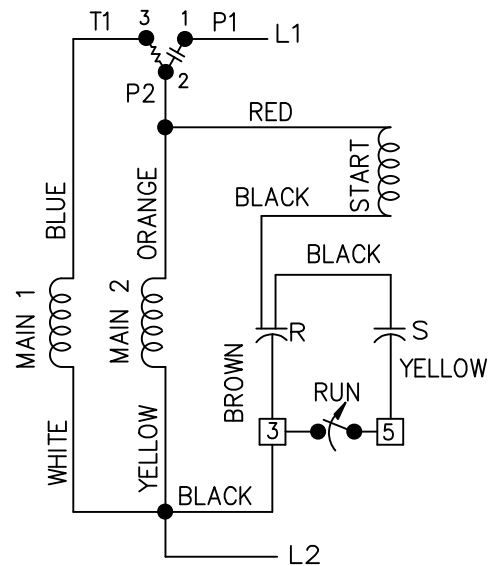
This is an uncontrolled document once printed or downloaded and is subject to change without notice. Date Created: 06/29/2018



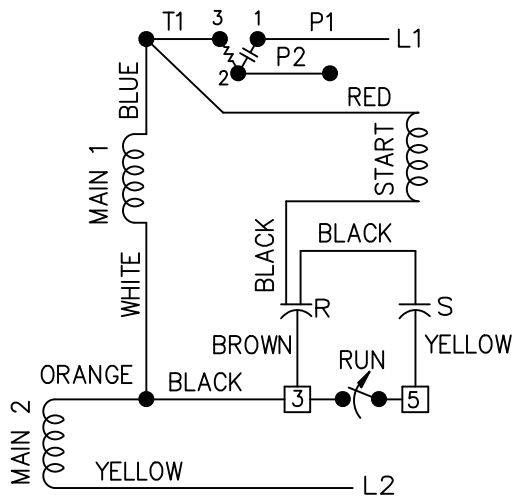
DASH	FR.	C	AG	BS	DASH	FR.	C	AG	BS
					806	56-80	13.32	11.25	5.64
656	56-65	11.82	9.75	4.14					
706	"-70	12.32	10.25	4.64					
756	"-75	12.82	10.75	5.14					

				TOLERANCES UNLESS SPECIFIED			DRAWN RM 04-08-1991					
				DEC.	INCHES		CHK ML 04-09-1991					
				.X	±.1		APPD JM 05-01-1991					
				.XX	±.02		SCALE 5=16					
2	CLARIFIED NAMEPLATE LOC.			DD	04-19-1993	TITLE OUTLINE			REF			
1	NEW DRAWING			RM	04-08-1991	56 FR. - BB - TEFC - C'FACE - 1Ø			FMF			
NO.	REVISION			BY & DATE	CHK	ANG	FINISH			PREV		
THIS DRAWING IN DESIGN AND DETAIL IS OUR PROPERTY AND MUST NOT BE USED EXCEPT IN CONNECTION WITH OUR WORK ALL RIGHTS OF DESIGN AND INVENTION ARE RESERVED THIS IS AN ELECTRONICALLY GENERATED DOCUMENT - DO NOT SCALE THIS PRINT				RFP	CAD FILE 100486			SIZE	DRAWING NO.	PAGE	OF	REV.
				DIST	WP	A			100486			2

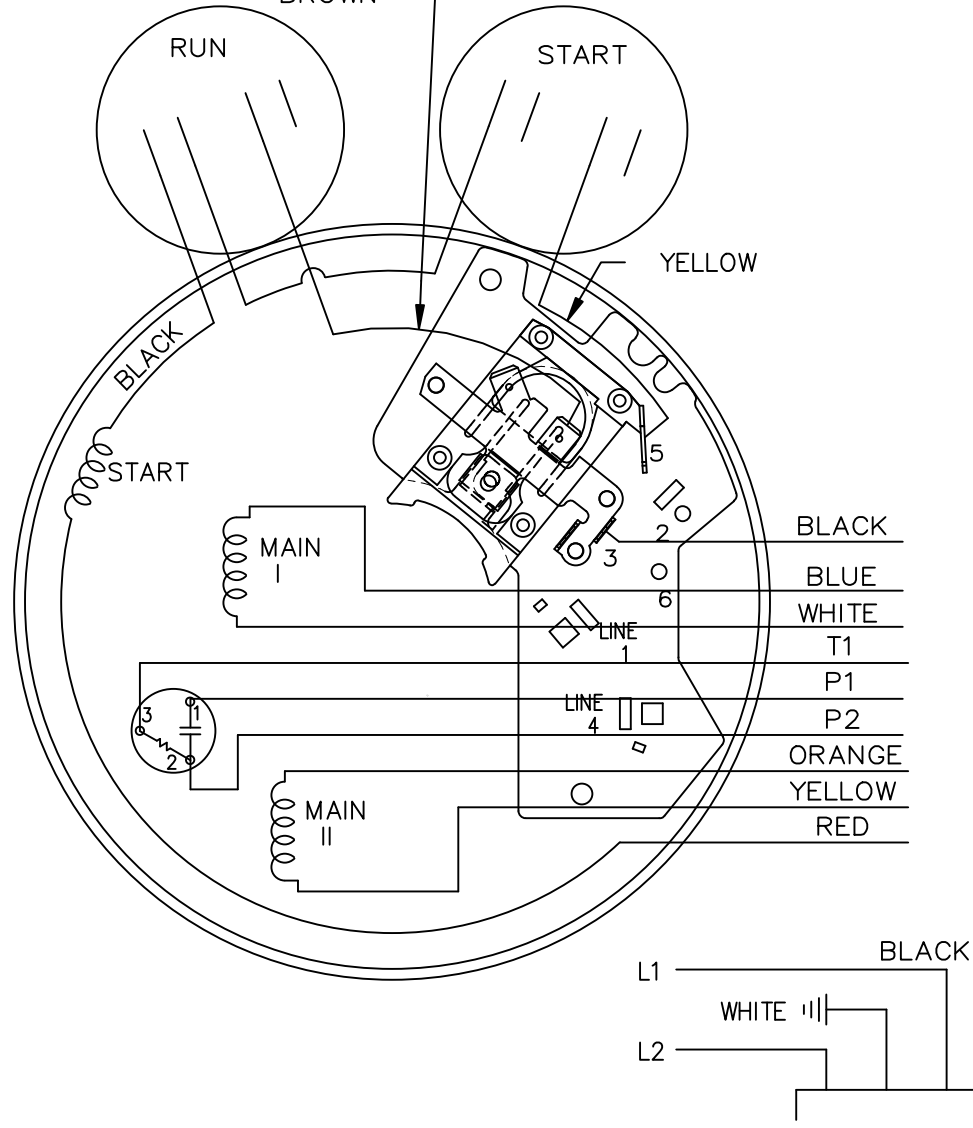
LOW VOLTAGE C.C.W.



HIGH VOLTAGE C.C.W.



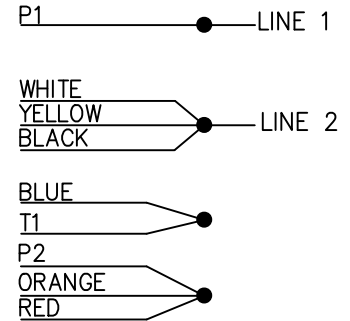
BROWN LEAD MAYBE CONNECTED ON POST 3 TO ELIMINATE GROUNDING



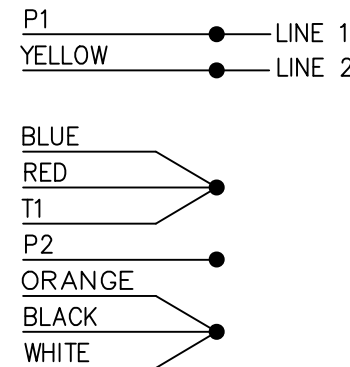
102006-52

DUAL VOLTAGE
CAP START-CAP RUN
OVERLOAD
SELECT ROTATION

LOW VOLT. CCW ROT.



HIGH VOLT. CCW ROT.



FOR CW ROT. EITHER
VOLTAGE INTERCHANGE
RED WITH BLACK LEAD.

13	CHG'ED SWITCH TO OPEN WHEN RUNNING ISAAC 11-2715	KBB 06-23-2011	EH	TOLERANCES UNLESS SPECIFIED	
12	REMOVE 1,2,3 & 4 ON LOW & HIGH VOLT CN 31436	TJB 02-14-2002	DRS	DEC.	INCHES
11	REMOVE BRAKE VIEW CN 31436	TJB 01-30-2002	DRS	.X	±.1
10	ADDED BROW LEAD DETAIL NOTE CN 24300-323	BJW 02-28-2000		.XX	±.02
9	ADDED CORD VIEW MU20434	BLR 07-01-1998		.XXX	±.005
8	CAP LEAD COLORS REVISED CN 16210	AJS 08-29-1994		.XXXX	±.0005
NO.	REVISION	BY & DATE	CHK	ANG	±7'30"

	DRAWN ML 05-09-1992	
	CHK GK 05-09-1992	APPD FG 05-19-1992
TITLE CONNECTION DIAGRAM		SCALE 5=8
MAT'L.		REF
FINISH		FMF
		PREV

THIS DRAWING IN DESIGN AND DETAIL IS OUR PROPERTY AND MUST NOT BE USED EXCEPT IN CONNECTION WITH OUR WORK ALL RIGHTS OF DESIGN AND INVENTION ARE RESERVED THIS IS AN ELECTRONICALLY GENERATED DOCUMENT - DO NOT SCALE THIS PRINT

RFP	CAD FILE 102006-52	SIZE A	DRAWING NO. 102006-52	PAGE OF	REV. 13
DIST WP					

