

# PRODUCT INFORMATION PACKET

Model No: 056B34F5327  
Catalog No: D315  
2,3450,TEFC,56HC,1/60/115/208-230  
Totally Enclosed Fan Cooled (TEFC)



Regal and Marathon are trademarks of Regal Beloit Corporation or one of its affiliated companies.  
©2018 Regal Beloit Corporation, All Rights Reserved. MC017097E



### Nameplate Specifications

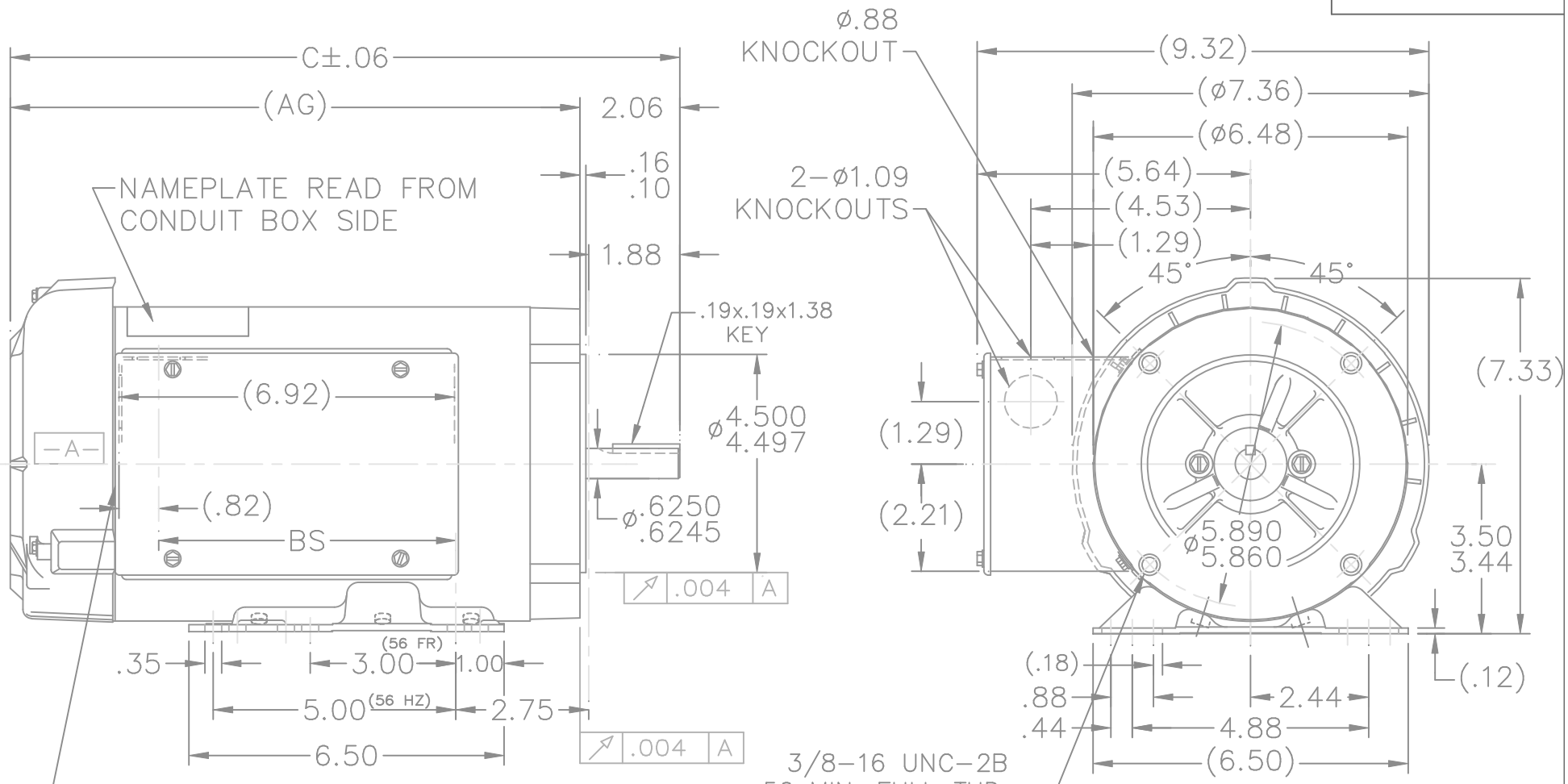
Output HP	<b>2 Hp</b>	Output KW	<b>1.5 kW</b>
Frequency	<b>60 Hz</b>	Voltage	<b>115/208-230 V</b>
Current	<b>16.6/9.4-8.3 A</b>	Speed	<b>3450 rpm</b>
Service Factor	<b>1.15</b>	Phase	<b>1</b>
Efficiency	<b>79 %</b>	Duty	<b>Continuous</b>
Insulation Class	<b>B</b>	Design Code	<b>N</b>
KVA Code	<b>J</b>	Frame	<b>56HC</b>
Enclosure	<b>Totally Enclosed Fan Cooled</b>	Overload Protector	<b>No</b>
Ambient Temperature	<b>40 °C</b>	Drive End Bearing Size	<b>6203</b>
Opp Drive End Bearing Size	<b>6203</b>	UL	<b>Recognized</b>
CSA	<b>Y</b>	CE	<b>Y</b>
IP Code	<b>43</b>		

### Technical Specifications

Electrical Type	<b>Capacitor Start Capacitor Run</b>	Starting Method	<b>Across The Line</b>
Poles	<b>2</b>	Rotation	<b>Selective Counterclockwise</b>
Mounting	<b>Bolt-on Base</b>	Motor Orientation	<b>Horizontal</b>
Drive End Bearing	<b>Ball</b>	Opp Drive End Bearing	<b>Ball</b>
Frame Material	<b>Rolled Steel</b>	Shaft Type	<b>NEMA 56</b>
Overall Length	<b>13.31 in</b>	Frame Length	<b>8.06 in</b>
Shaft Diameter	<b>0.625 in</b>	Shaft Extension	<b>2.06 in</b>
Assembly/Box Mounting	<b>F1 Only</b>		
Outline Drawing	<b>A-100144-806</b>	Connection Diagram	<b>102006-51</b>

This is an uncontrolled document once printed or downloaded and is subject to change without notice. Date Created: 06/29/2018

TERM. END



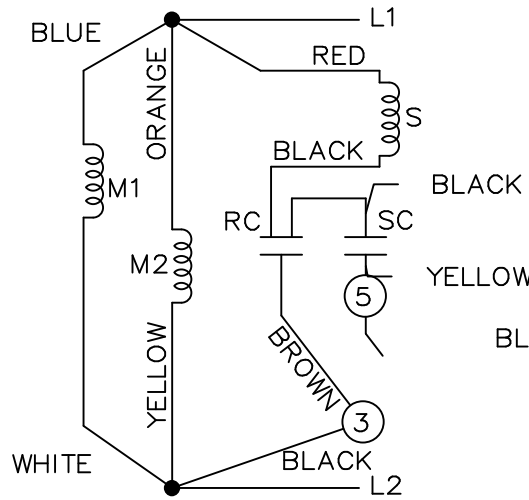
NOTES:  
1. BASE IS REMOVEABLE

DASH	FRAME	C	AG	BS
806	56.80	13.31	11.25	5.63
856	"-75	13.81	11.75	6.13
906	"-80	14.31	12.25	6.63
956	"-85	14.81	12.75	7.13

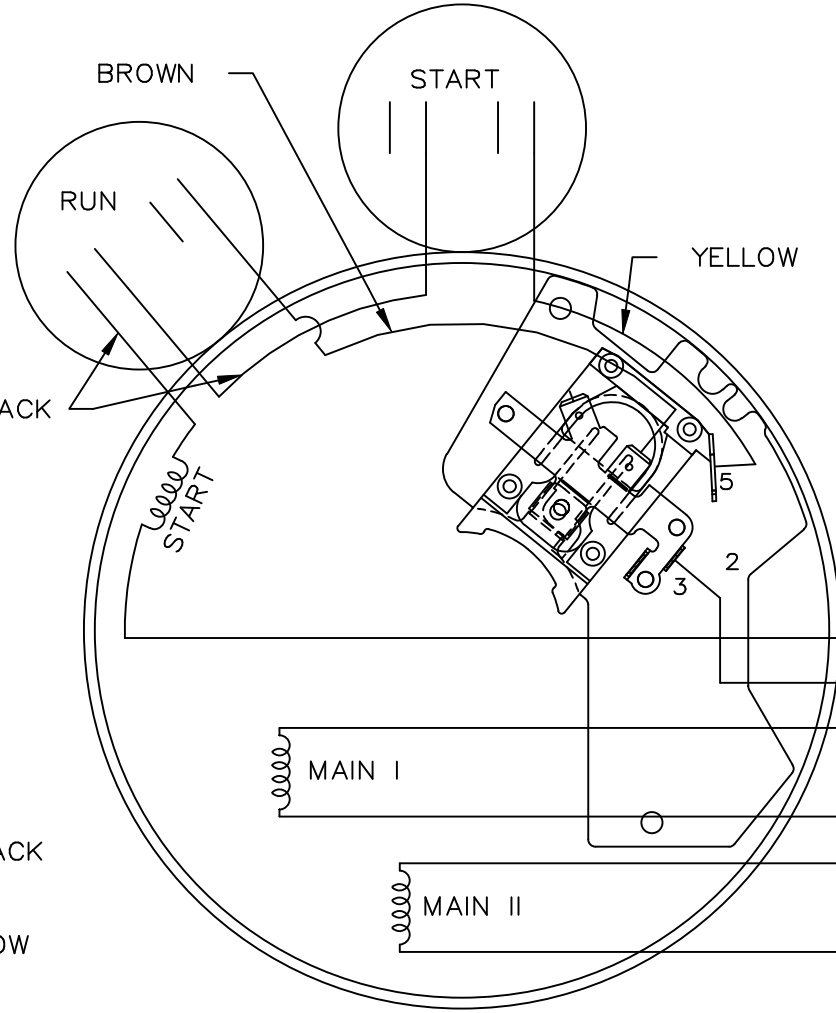
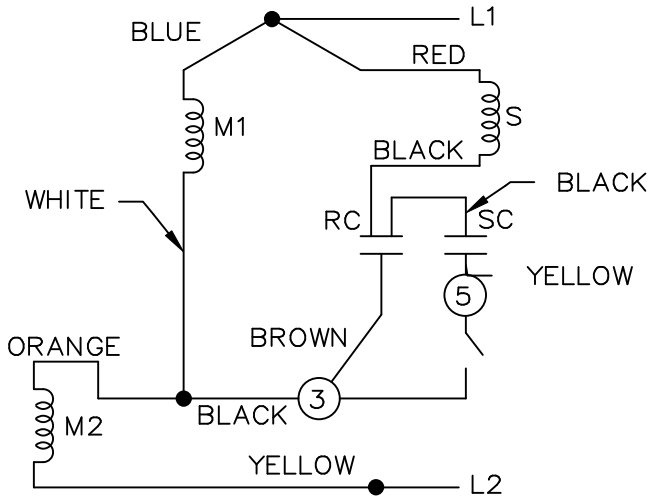
		TOLERANCES UNLESS SPECIFIED		MARATHON ELECTRIC		DRAWN BLR 05-27-1997	
		DEC.	INCHES			CHK ML 06-03-1997	
		.X	$\pm .1$			APPD GK 06-03-1997	
		.XX	$\pm .03$	TITLE OUTLINE		SCALE 5=16	
		.XXX	$\pm .005$	56 FR. - BB - TEFC - 1 $\phi$ - C"FACE		REF	
3	REDRAWN ON CAD	BLR 06-03-1997	.XXXX	$\pm .0005$	MAT'L.	FMF	
NO.	REVISION	BY & DATE	CHK	ANG	FINISH	PREV	
			RFP		CAD FILE 100144	SIZE A	DRAWING NO. 100144
			DIST WP			PAGE OF	3

THIS DRAWING IN DESIGN AND DETAIL IS OUR PROPERTY AND MUST NOT BE USED EXCEPT IN CONNECTION WITH OUR WORK ALL RIGHTS OF DESIGN AND INVENTION ARE RESERVED THIS IS AN ELECTRONICALLY GENERATED DOCUMENT - DO NOT SCALE THIS PRINT

LOW VOLTAGE C.C.W.

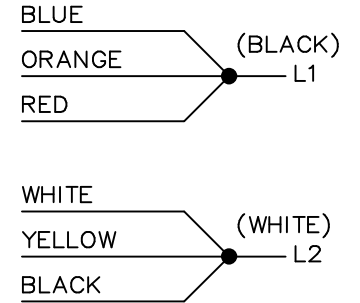


HIGH VOLTAGE C.C.W.

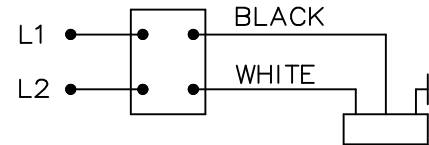
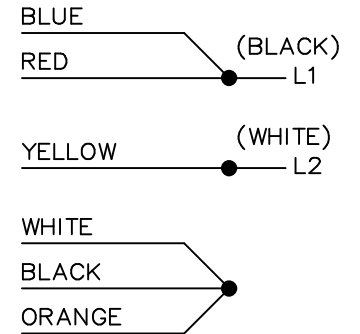


DUAL VOLTAGE CAPACITOR  
START-CAP RUN NO OVERLOAD  
SELECT ROTATION

LOW VOLTAGE C.C.W. ROTATION



HIGH VOLTAGE C.C.W. ROTATION



FOR C.W. ROTATION,  
EITHER VOLTAGE,  
INTERCHANGE RED WITH  
BLACK LEAD

			TOLERANCES UNLESS SPECIFIED		MARATHON ELECTRIC	DRAWN DT 06-07-1996
			DEC.	INCHES		CHK MRB 06-16-1996
			.X	±.1	TITLE CONNECTION DIAGRAM	APPD GK 06-16-1996
			.XX	±.02		SCALE 5=8
9	ADDED CORD AND SWITCH VIEW MU37521	DRS 06-22-2001	.XXX	±.005		REF
8	REDRAWN ON CADD	DT 06-16-1996	.XXXX	±.0005	MAT'L.	FMF
NO.	REVISION	BY & DATE	CHK	ANG ±7'30"	FINISH	PREV
THIS DRAWING IN DESIGN AND DETAIL IS OUR PROPERTY AND MUST NOT BE USED EXCEPT IN CONNECTION WITH OUR WORK ALL RIGHTS OF DESIGN AND INVENTION ARE RESERVED THIS IS AN ELECTRONICALLY GENERATED DOCUMENT - DO NOT SCALE THIS PRINT			RFP	CAD FILE 102006-51		SIZE A
			DIST WP			DRAWING NO. 102006-51
					PAGE OF 9	
					REV. 9	

