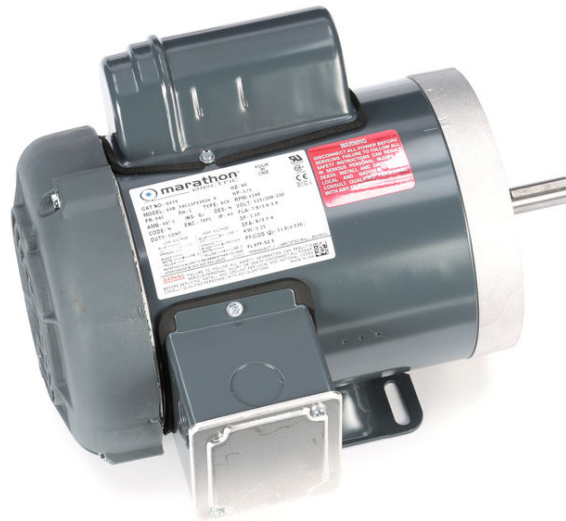


# PRODUCT INFORMATION PACKET

Model No: 056C11F5303  
Catalog No: G576  
1/3,1140,TEFC,56C,1/60/115/208-230  
Totally Enclosed Fan Cooled (TEFC)



Regal and Marathon are trademarks of Regal Beloit Corporation or one of its affiliated companies.  
©2018 Regal Beloit Corporation, All Rights Reserved. MC017097E





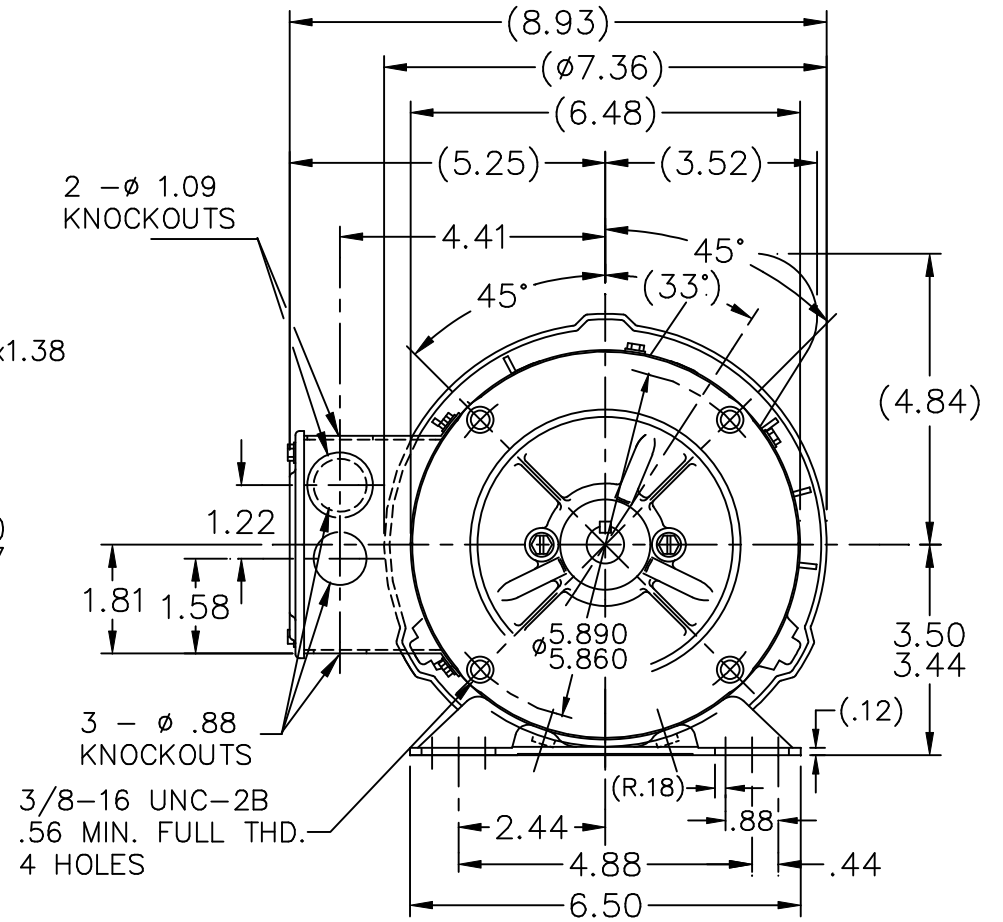
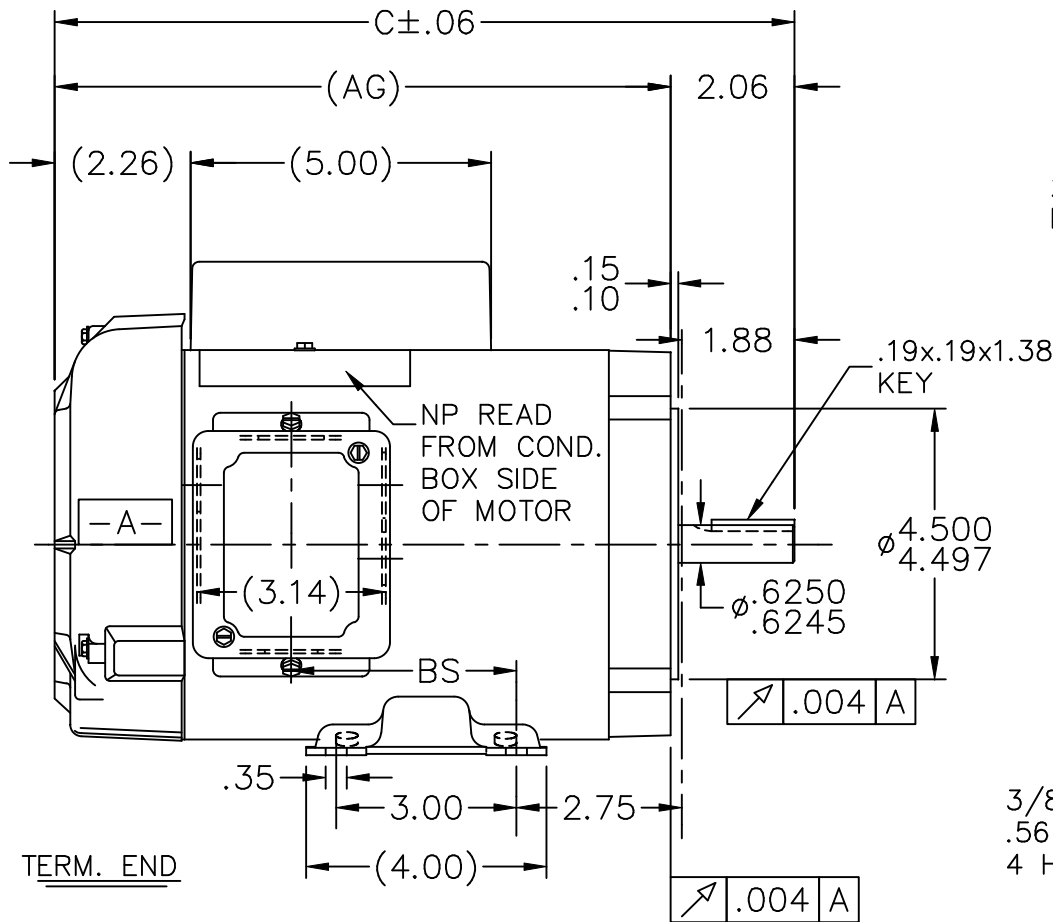
### Nameplate Specifications

Output HP	<b>0.33 Hp</b>	Output KW	<b>0.25 kW</b>
Frequency	<b>60 Hz</b>	Voltage	<b>115/208-230 V</b>
Current	<b>7.8/3.6-3.9 A</b>	Speed	<b>1140 rpm</b>
Service Factor	<b>1.15</b>	Phase	<b>1</b>
Efficiency	<b>52.5 %</b>	Duty	<b>Continuous</b>
Insulation Class	<b>B</b>	Design Code	<b>N</b>
KVA Code	<b>N</b>	Frame	<b>56C</b>
Enclosure	<b>Totally Enclosed Fan Cooled</b>	Overload Protector	<b>No</b>
Ambient Temperature	<b>40 °C</b>	Drive End Bearing Size	<b>6203</b>
Opp Drive End Bearing Size	<b>6203</b>	UL	<b>Recognized</b>
CSA	<b>Y</b>	CE	<b>Y</b>
IP Code	<b>43</b>		

### Technical Specifications

Electrical Type	<b>Capacitor Start Induction Run</b>	Starting Method	<b>Across The Line</b>
Poles	<b>6</b>	Rotation	<b>Selective Counterclockwise</b>
Mounting	<b>Bolt-on Base</b>	Motor Orientation	<b>Horizontal</b>
Drive End Bearing	<b>Ball</b>	Opp Drive End Bearing	<b>Ball</b>
Frame Material	<b>Rolled Steel</b>	Shaft Type	<b>NEMA 56</b>
Overall Length	<b>12.31 in</b>	Frame Length	<b>7.06 in</b>
Shaft Diameter	<b>0.625 in</b>	Shaft Extension	<b>2.06 in</b>
Assembly/Box Mounting	<b>F1 Only</b>		
Outline Drawing	<b>A-100143-706</b>	Connection Diagram	<b>102005-51</b>

This is an uncontrolled document once printed or downloaded and is subject to change without notice. Date Created: 06/29/2018



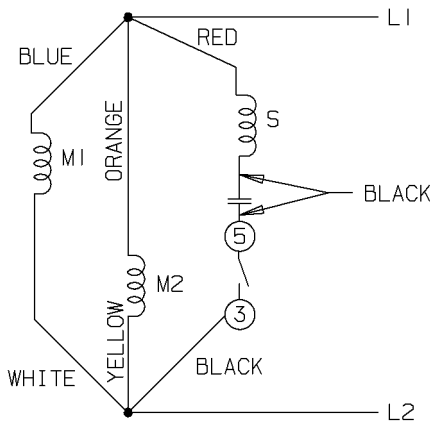
TERM. END

DASH	FRAME	C	AG	BS
656	56-65	11.81	9.75	3.25
706	"-70	12.31	10.25	4.25
756	"-75	12.81	10.75	3.75

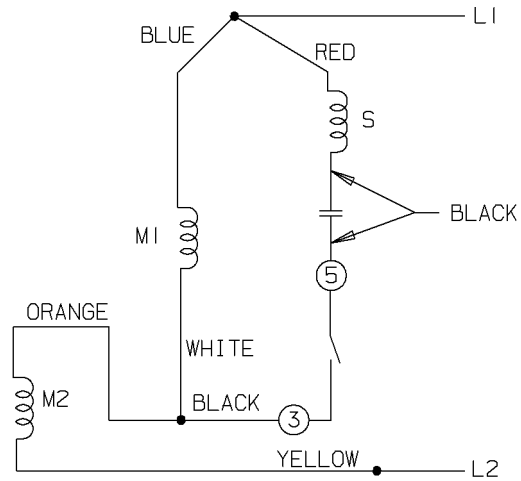
NOTES: CONDUIT BOX CAN BE ROTATED 180°  
REMOVABLE BASE

				TOLERANCES UNLESS SPECIFIED		MARATHON ELECTRIC	DRAWN BLR 05-28-1997					
				DEC.	INCHES		CHK	ML	06-03-1997			
				.X	±.1	TITLE OUTLINE 56 FR. - BB - TEFC - 1φ - 'C' FACE	APPD GK 06-03-1997					
				.XX	±.03		SCALE 5=16					
4	CORRECTED OVERALL DIMENSIONS	CN 32669	TAT 04-16-2004	ML	.XXX		±.005	REF				
3	REDRAWN ON CADD		BLR 06-03-1997		.XXXX		±.0005	FMF				
NO.	REVISION	BY & DATE	CHK	ANG	±7'30"		PREV					
THIS DRAWING IN DESIGN AND DETAIL IS OUR PROPERTY AND MUST NOT BE USED EXCEPT IN CONNECTION WITH OUR WORK ALL RIGHTS OF DESIGN AND INVENTION ARE RESERVED THIS IS AN ELECTRONICALLY GENERATED DOCUMENT - DO NOT SCALE THIS PRINT				RFP	CAD FILE 100143			SIZE	DRAWING NO.	PAGE	OF	REV.
				DIST	WP			A	100143			4

LOW VOLTAGE - C.C.W.

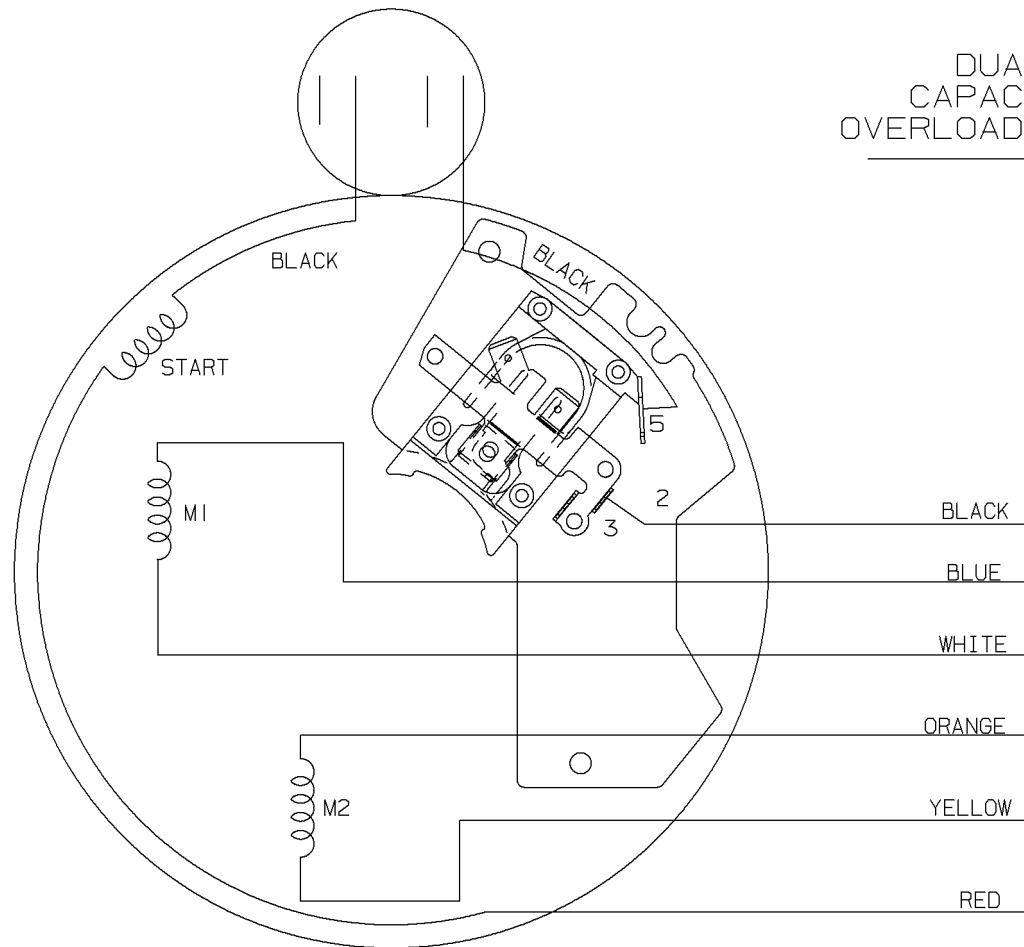


HIGH VOLTAGE - C.C.W.

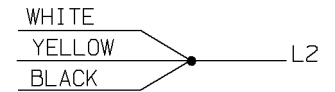
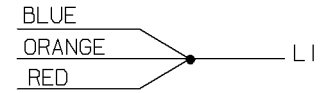


A-102005-51

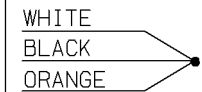
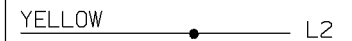
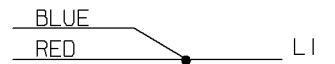
DUAL VOLTAGE  
CAPACITOR START NO  
OVERLOAD SELECT ROTATION



LOW VOLT. - C.C.W. ROT.



HIGH VOLT. - C.C.W. ROT.



FOR C.W. ROTATION EITHER  
VOLTAGE INTERCHANGE  
RED WITH BLACK LEAD

				✓ MAX. SURFACE ROUGHNESS UNLESS NOTED OTHERWISE	UNLESS OTHERWISE SPECIFIED DIMENSIONS ARE IN INCHES TOL. ON XX±    XXX±.005    XXXX±.0005    ANGLES±			
				MATL SPEC				DRAWN BY CAV 06-18-1999
				FINISH				CHKD BY ML 06-18-1999
5	06-17-1999	REDRAWN	CAV	REFERENCE DRW.	WAUSAU, WISCONSIN 54401			APPD BY GK 06-18-1999
REV	DATE	CHANGE	NAME	PART NAME CONNECTION DIAGRAM				DRWG NO A-102005-51

SHOP BOOK

PURCHASED

DISTRIBUTION - WA - LB - WP - LM - BR

CADD FILE NO.

102005-51

```
ERROR: syntaxerror  
OFFENDING COMMAND: --nostringval--
```

```
STACK:
```

```
/p2e  
-savelevel-
```

