

PRODUCT INFORMATION PACKET

Model No: 056C11G5303
Catalog No: K033
1/4,1200,EPFC,56,1/60/115
Explosion Proof



Regal and Marathon are trademarks of Regal Beloit Corporation or one of its affiliated companies.
©2018 Regal Beloit Corporation, All Rights Reserved. MC017097E



Nameplate Specifications

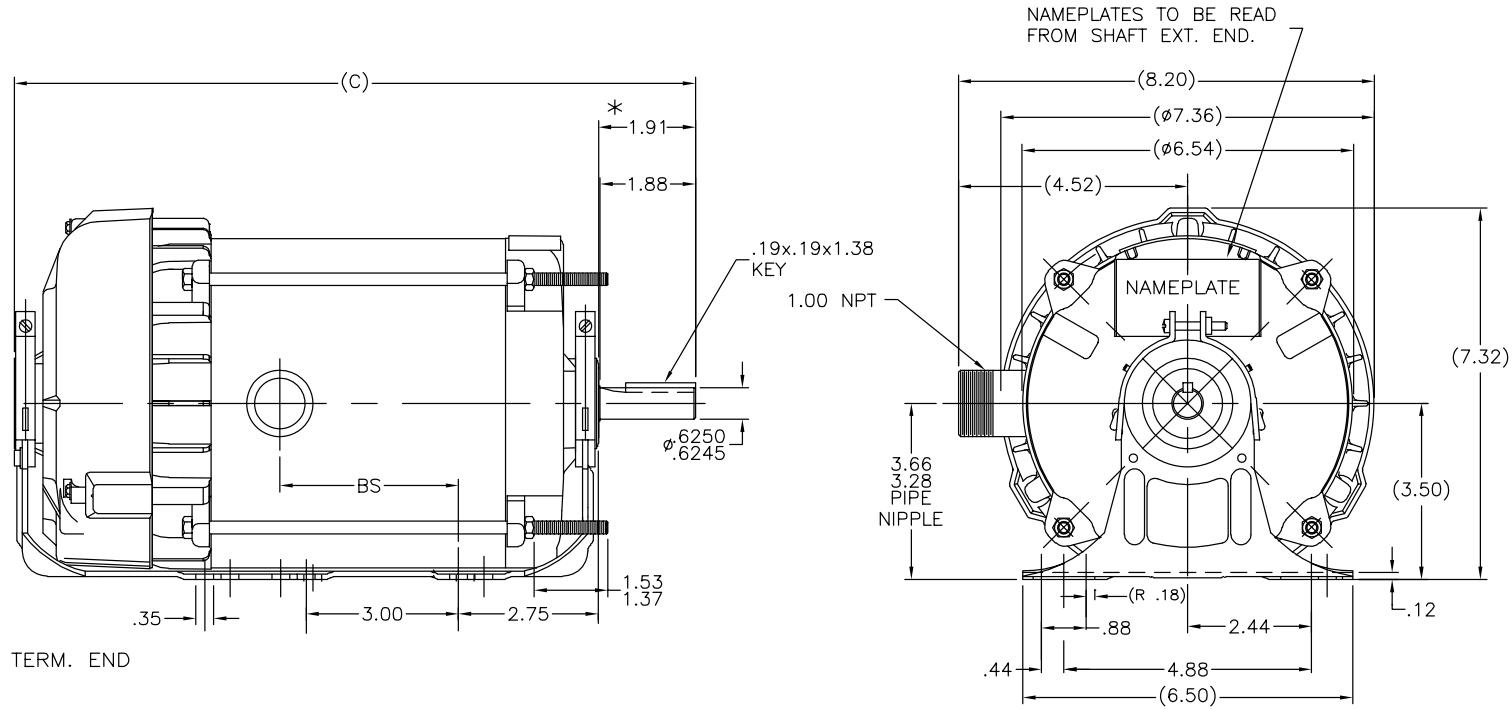
Output HP	0.25 Hp	Output KW	0.19 kW
Frequency	60 Hz	Voltage	115 V
Current	5.4 A	Speed	1140 rpm
Service Factor	1	Phase	1
Efficiency	47 %	Duty	Continuous
Insulation Class	B	Design Code	NO DESIGN CODE
KVA Code	K	Frame	56
Enclosure	Explosion Proof Fan cooled	Overload Protector	Automatic
Ambient Temperature	40 °C	Drive End Bearing Size	6203
Opp Drive End Bearing Size	6203	UL	Recognized
CSA	N	CE	N
IP Code	54		

Technical Specifications

Electrical Type	Capacitor Start Induction Run	Starting Method	Across The Line
Poles	6	Rotation	Selective Counterclockwise
Mounting	Resilient Base - Extended Studs	Motor Orientation	Horizontal
Drive End Bearing	Ball	Opp Drive End Bearing	Ball
Frame Material	Rolled Steel	Shaft Type	NEMA 56
Overall Length	14.46 in	Frame Length	6.81 in
Shaft Diameter	0.625 in	Shaft Extension	1.91 in
Assembly/Box Mounting	F1 Only		
Outline Drawing	B-104200-681	Connection Diagram	102005-95

This is an uncontrolled document once printed or downloaded and is subject to change without notice. Date Created: 06/29/2018

104200



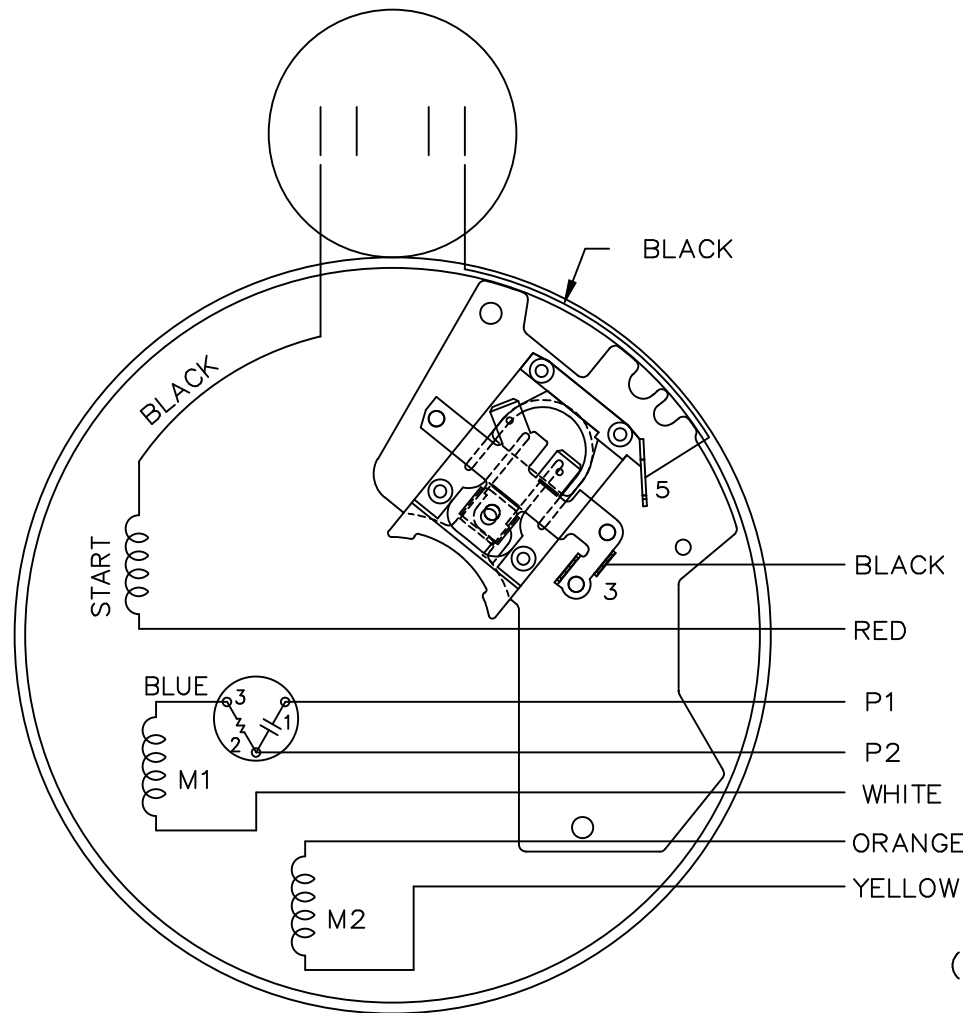
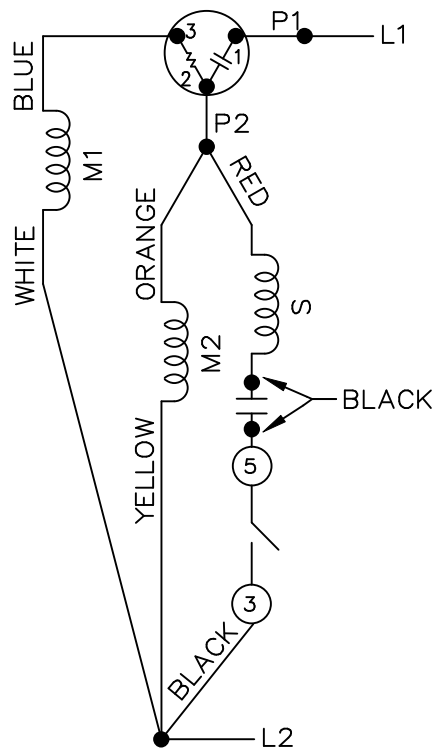
TERM. END

DASH	(C)	BS			
631	13.96	4.15			
681	14.46	4.65			
731	14.96	5.15			
781	15.46	5.65			
831	15.96	6.15			
881	16.46	6.65			
931	16.96	7.15			
981	17.46	7.65			

* DIM IS FROM RESIL RING
END CAP TO END OF SHAFT

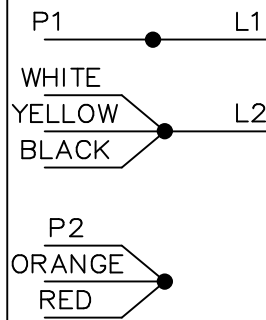
5	NOTE REMOVED PER ECO - 0045660	PVR 02/17/14	SM	TOLERANCES UNLESS SPECIFIED		DRAWN MH 12-05-1996	
4	REVISED STUD BOLT EXT. FROM 1.45" TO 1.53/1.37	NJS 11-05-2002	ML	DEC. INCHES		CHK ML 12-06-1996	
	CN 24300-473		X	±.1	APPD GK 12-06-1996	SCALE 1=2	
3	REVISED STUD BOLT EXT. FROM 1.54/1.74 TO 1.45"	NJS 11-14-2001	.XX	±.03	TITLE OUTLINE	REF	
	CN 29400-662		.XXX	±.005	56 FR. - EXP.PR. - TEFC - 1 ϕ & 3 ϕ	FMF	
2	ADDED NOTE	CN 2437@GK 06-09-1997	.XXXX	±.0005	MAT'L	PREV	
NO.	REVISION	BY & DATE	CHK	ANG ±7'30"	FINISH		
THIS DRAWING IN DESIGN AND DETAIL IS OUR PROPERTY AND MUST NOT BE USED EXCEPT IN CONNECTION WITH OUR WORK ALL RIGHTS OF DESIGN AND INVENTION ARE RESERVED THIS IS AN ELECTRONICALLY GENERATED DOCUMENT - DO NOT SCALE THIS PRINT						CAD FILE 104200	SIZE B
						DRAWING NO. 104200	PAGE 5 OF 5
						REV. 5	

LOW VOLTAGE C.C.W.

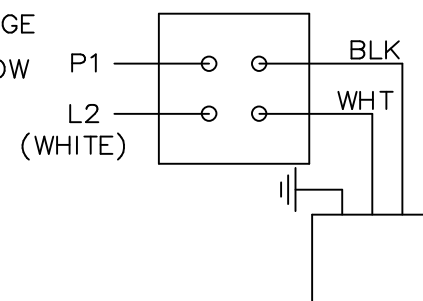


LOW VOLTAGE CAPACITOR START OVERLOAD SELECT ROT.

LOW VOLTAGE C.C.W. ROT.



FOR CW ROT. INTERCHANGE RED WITH BLACK LEAD



				TOLERANCES UNLESS SPECIFIED		MARATHON ELECTRIC	DRAWN KL 07-14-1994				
				DEC.	INCHES		CHK ML 07-15-1994				
				.X	±.1	TITLE CONNECTION DIAGRAM	APPD RJS 07-15-1994				
				.XX	±.02		SCALE 5=8				
				.XXX	±.005		REF				
2	ADDED CORD VIEW	4411638	DT 07-18-1996	.XXX	±.005	MAT'L.	FMF				
1	NEW DRAWING		KL 07-15-1994	.XXXX	±.0005		FINISH	PREV			
NO.	REVISION		BY & DATE	CHK	ANG	±7'30"					
THIS DRAWING IN DESIGN AND DETAIL IS OUR PROPERTY AND MUST NOT BE USED EXCEPT IN CONNECTION WITH OUR WORK ALL RIGHTS OF DESIGN AND INVENTION ARE RESERVED THIS IS AN ELECTRONICALLY GENERATED DOCUMENT - DO NOT SCALE THIS PRINT				RFP	CAD FILE 102005-95		SIZE	DRAWING NO.	PAGE	OF	REV.
				DIST	WP		A	102005-95			2

** Subject to change without notice.