

PRODUCT INFORMATION PACKET

Model No: 056C17D2097
Catalog No: S112
1/2, 1800, DP, 56, 1/60/115/230
Open Drip Proof (ODP)



Regal and Marathon are trademarks of Regal Beloit Corporation or one of its affiliated companies.
©2018 Regal Beloit Corporation, All Rights Reserved. MC017097E





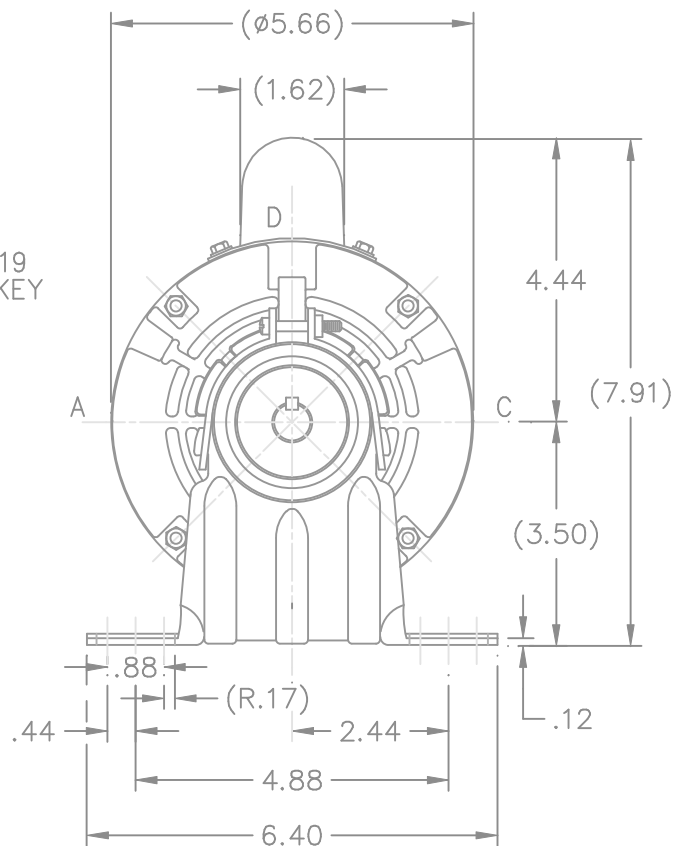
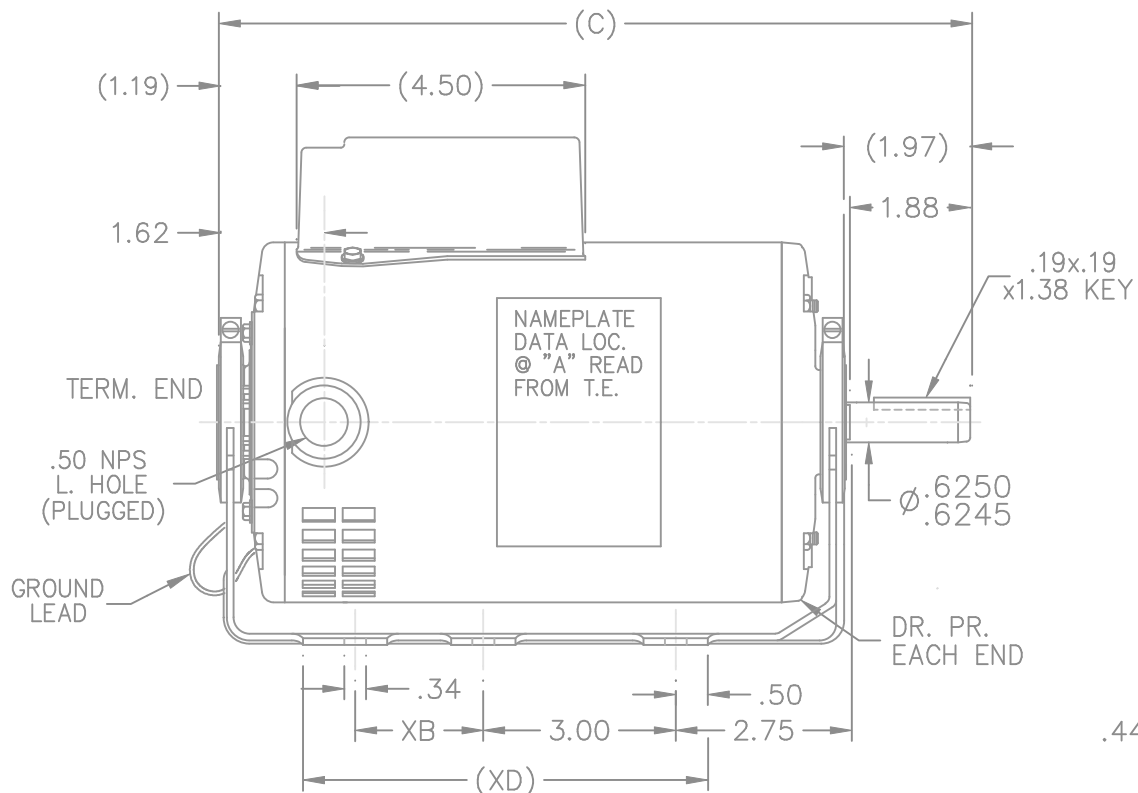
Nameplate Specifications

| | | | |
|----------------------------|-------------------|------------------------|-----------------------|
| Output HP | 0.50 Hp | Output KW | 0.37 kW |
| Frequency | 60 Hz | Voltage | 115/230 V |
| Current | 9.1/4.5 A | Speed | 1725 rpm |
| Service Factor | 1 | Phase | 1 |
| Efficiency | 59.5 % | Duty | Continous |
| Insulation Class | B | Design Code | NO DESIGN CODE |
| KVA Code | L | Frame | 56 |
| Enclosure | Drip Proof | Overload Protector | No |
| Ambient Temperature | 40 °C | Drive End Bearing Size | 6203 |
| Opp Drive End Bearing Size | 6203 | UL | Recognized |
| CSA | Y | CE | N |
| IP Code | 22 | | |

Technical Specifications


| | | | |
|-----------------------|--------------------------------------|-----------------------|-----------------------------------|
| Electrical Type | Capacitor Start Induction Run | Starting Method | Across The Line |
| Poles | 4 | Rotation | Selective Counterclockwise |
| Mounting | Resilient Base | Motor Orientation | Horizontal |
| Drive End Bearing | Ball | Opp Drive End Bearing | Ball |
| Frame Material | Rolled Steel | Shaft Type | T |
| Overall Length | 10.22 in | Frame Length | 6.25 in |
| Shaft Diameter | 0.625 in | Shaft Extension | 1.97 in |
| Assembly/Box Mounting | F1 Only | | |
| Outline Drawing | A-SS403276-625 | Connection Diagram | A-EE9002E |

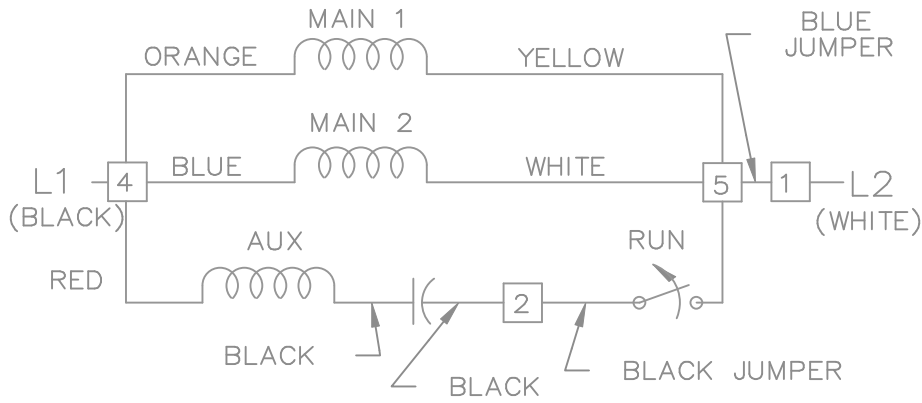
This is an uncontrolled document once printed or downloaded and is subject to change without notice. Date Created: 06/29/2018



| DASH | XB | XD | C |
|------|----|------|-------|
| 625 | 0 | 5.43 | 10.22 |
| 650 | 0 | 5.43 | 10.47 |
| 675 | 0 | 5.43 | 10.72 |

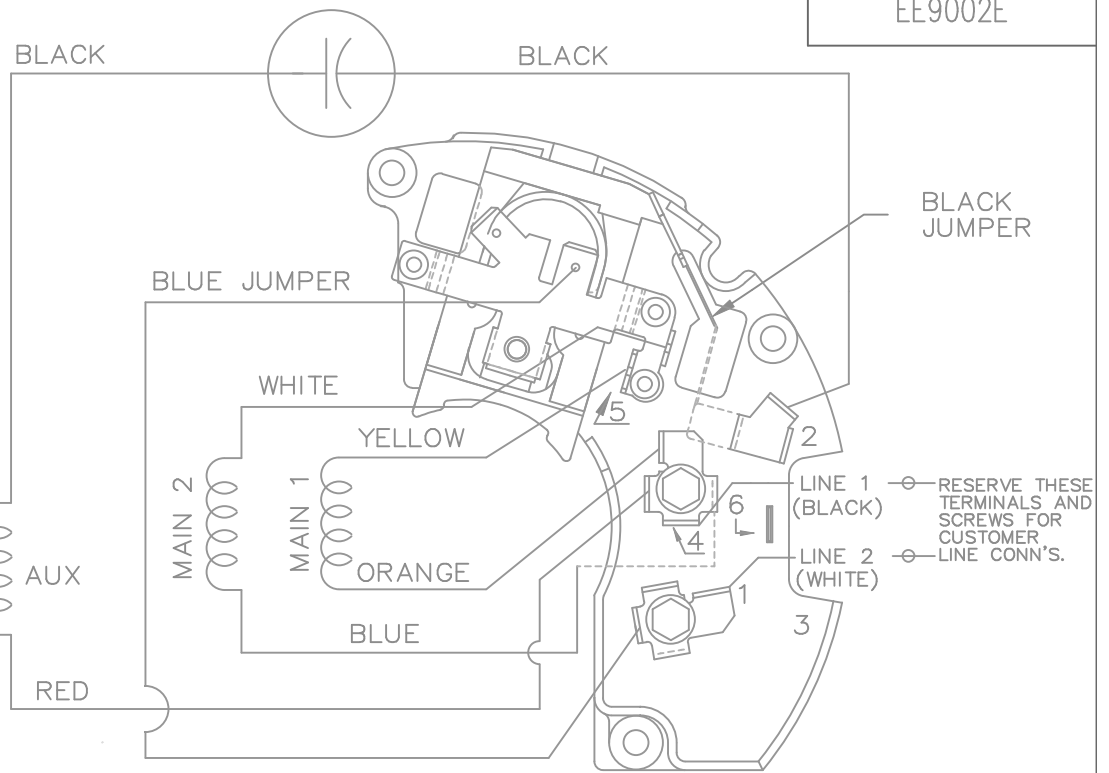
06.22.2007
06.22.2007

| | | | | TOLERANCES UNLESS SPECIFIED | |  | DRAWN KJC 12-18-2002 | | |
|--|-------------|-----------|-----|-----------------------------|--------|---|----------------------|------|--------------------------|
| | | | | DEC. | INCHES | | CHK | | |
| | | | | .X | ±.1 | | APPD | | |
| | | | | .XX | ±.03 | | SCALE 1=3 | | |
| | | | | .XXX | ±.005 | | REF | | |
| 01 | NEW DRAWING | MU44654 | KJC | .XXXX | ±.0005 | TITLE OUTLINE | FMF | | |
| NO. | REVISION | BY & DATE | CHK | ANG | ±7'30" | 56 FRAME | PREV | | |
| THIS DRAWING IN DESIGN AND DETAIL IS OUR PROPERTY AND MUST NOT BE USED EXCEPT IN CONNECTION WITH OUR WORK ALL RIGHTS OF DESIGN AND INVENTION ARE RESERVED THIS IS AN ELECTRONICALLY GENERATED DOCUMENT - DO NOT SCALE THIS PRINT | | | | RFP | | CAD FILE | ss403276 | SIZE | DRAWING NO. PAGE OF REV. |
| | | | | DIST | WP | | | A | SS403276 01 |



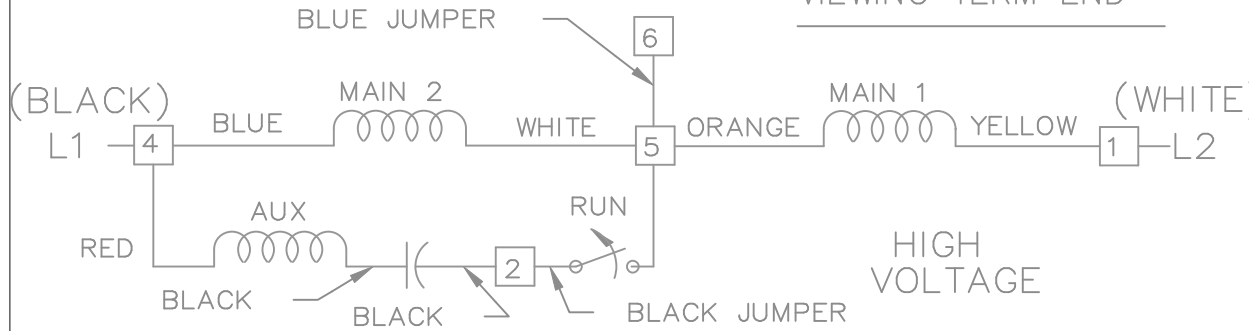
LOW VOLTAGE

DUAL VOLTAGE CAPACITOR START REVERSIBLE ON TERM BOARD NO OVERLOAD PROTECTION



VIEWING TERM END

LOW VOLTAGE CCW ROTATION SHOWN



HIGH VOLTAGE

FOR HIGH VOLTAGE:
CONNECT BLUE TERM 1 TO TERM 6,
CONNECT YELLOW TERM 5 TO TERM 1,
CONNECT ORANGE TERM 4 TO TERM 5.

TO REVERSE ROTATION EITHER VOLTAGE INTERCHANGE RED LEAD WITH BLACK LEAD

| | | | TOLERANCES UNLESS SPECIFIED | | | DRAWN ML 02-02-1988 | | | | | |
|--|-----------------------------------|---------------|-----------------------------|--------|---|---------------------|----------------|-------------|------|----|------|
| NO. | REVISION | BY & DATE | CHK | ANG | | SCALE | 1=1 | | | | |
| 05 | COLOURS ADDED TO L1,L2 | RP 12/10/2008 | DEC. | INCHES | TITLE CONNECTION DIAGRAM 48FR. DUAL VOLTAGE REVERSIBLE | CHK | GK 02-15-1988 | | | | |
| 04 | WHITE LEAD LOCATED UNDER BKY DATE | BLR 09/13/99 | .X | ±.1 | | APPD | DRN 02-24-1988 | | | | |
| | CODE APPR. 6K AND PRIOR CN 28441 | | .XX | ±.02 | | REF | EE9002E-LE | | | | |
| 03 | REVISED LINE 2 LOCATION CN 6427 | RM 01/28/1991 | .XXX | ±.005 | | FMF | | | | | |
| 02 | ADDED CUSTOMER CONN. NOTE CN 6011 | BW 08/03/1989 | .XXXX | ±.0005 | FINISH | PREV | | | | | |
| THIS DRAWING IN DESIGN AND DETAIL IS OUR PROPERTY AND MUST NOT BE USED EXCEPT IN CONNECTION WITH OUR WORK ALL RIGHTS OF DESIGN AND INVENTION ARE RESERVED THIS IS AN ELECTRONICALLY GENERATED DOCUMENT - DO NOT SCALE THIS PRINT | | | RFP | | CAD FILE | EE9002E | SIZE | DRAWING NO. | PAGE | OF | REV. |
| | | | DIST | WP | | | A | EE9002E | | | 05 |

