

PRODUCT INFORMATION PACKET

marathon[®]
Motors

Model No: 056C17D2098
Catalog No: S012
1/2, 1800, DP, 56, 1/60/115/230
Open Drip Proof (ODP)



Regal and Marathon are trademarks of Regal Beloit Corporation or one of its affiliated companies.
©2018 Regal Beloit Corporation, All Rights Reserved. MC017097E

REGAL[®]



Nameplate Specifications

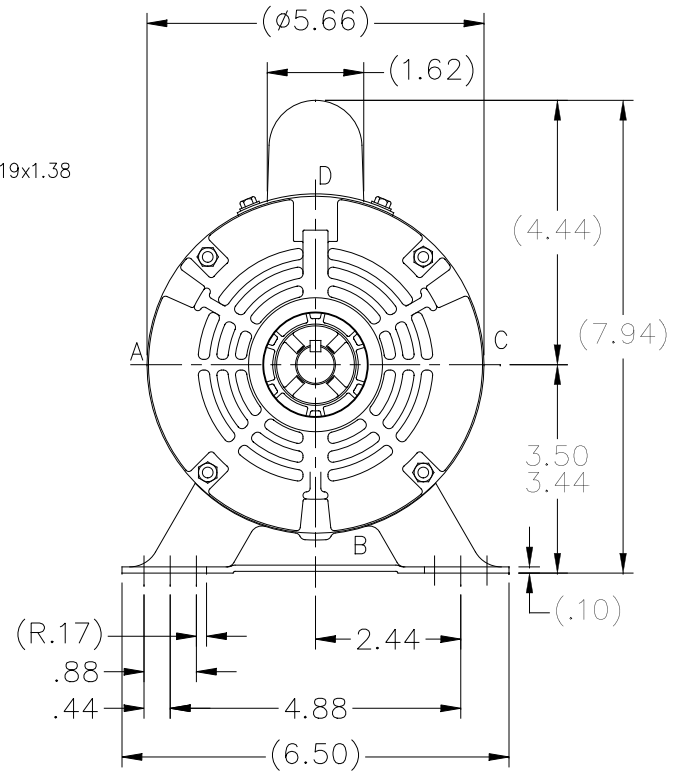
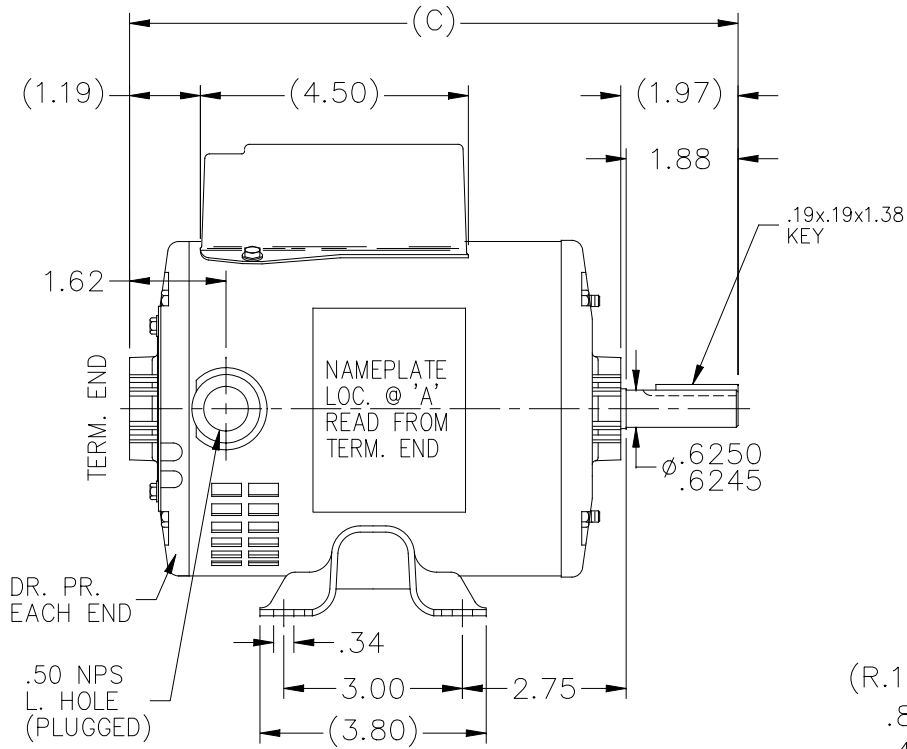
Output HP	0.50 Hp	Output KW	0.37 kW
Frequency	60 Hz	Voltage	115/230 V
Current	9.1/4.5 A	Speed	1725 rpm
Service Factor	1	Phase	1
Efficiency	60 %	Duty	Continuous
Insulation Class	B	Design Code	NO DESIGN CODE
KVA Code	L	Frame	56
Enclosure	Drip Proof	Overload Protector	No
Ambient Temperature	40 °C	Drive End Bearing Size	6203
Opp Drive End Bearing Size	6203	UL	Recognized
CSA	Y	CE	N
IP Code	22		

Technical Specifications

Electrical Type	Capacitor Start Induction Run	Starting Method	Across The Line
Poles	4	Rotation	Selective Counterclockwise
Mounting	Rigid base	Motor Orientation	Horizontal
Drive End Bearing	Ball	Opp Drive End Bearing	Ball
Frame Material	Rolled Steel	Shaft Type	NEMA 56
Overall Length	10.22 in	Frame Length	6.25 in
Shaft Diameter	0.625 in	Shaft Extension	1.97 in
Assembly/Box Mounting	F1 Only		
Outline Drawing	A-SS79614-625	Connection Diagram	A-EE9002BA

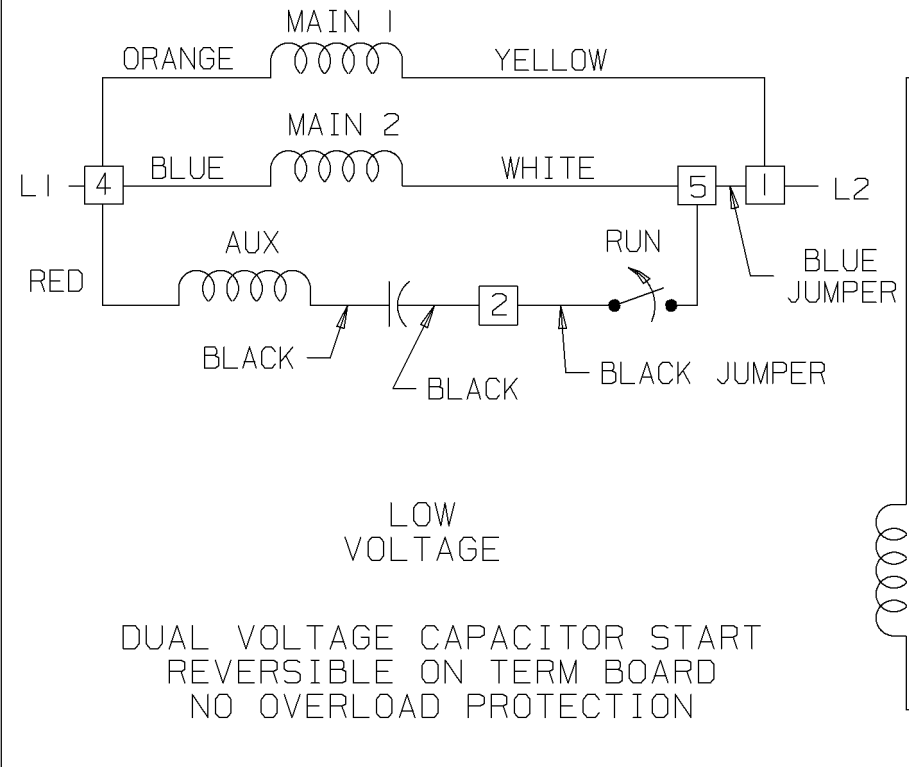
This is an uncontrolled document once printed or downloaded and is subject to change without notice. Date Created: 06/29/2018

SS79614

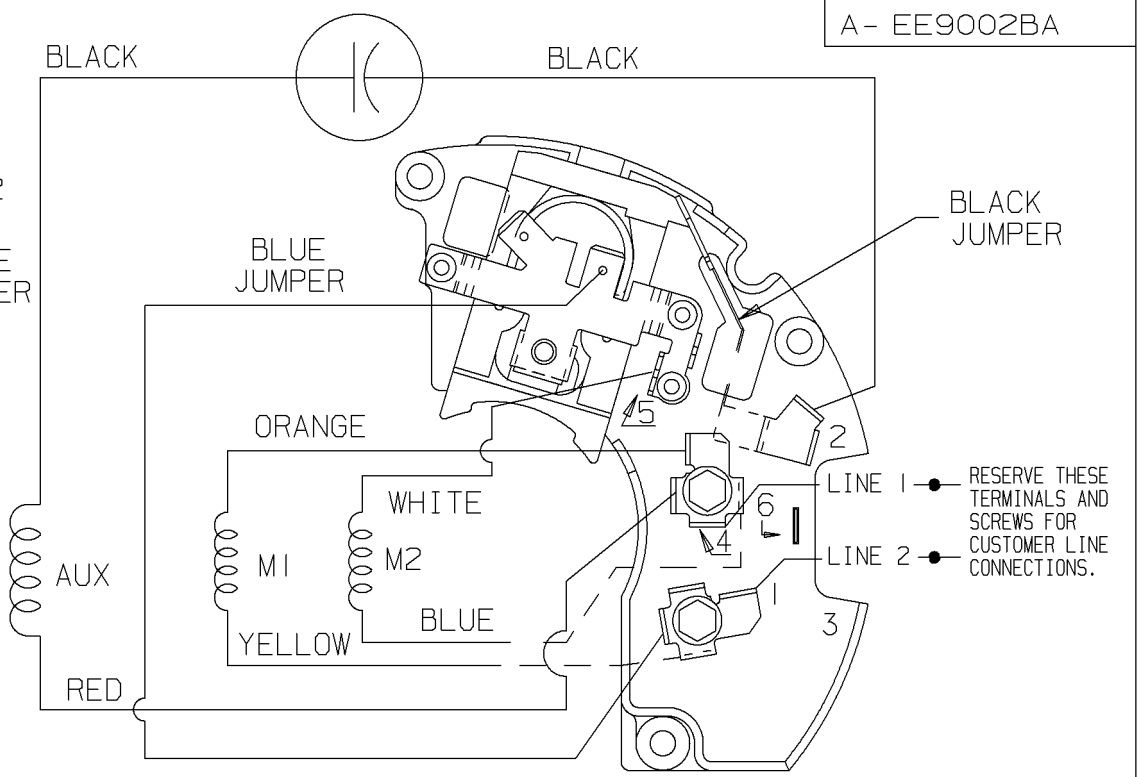


DASH	C
625	10.22
650	10.47
725	11.22

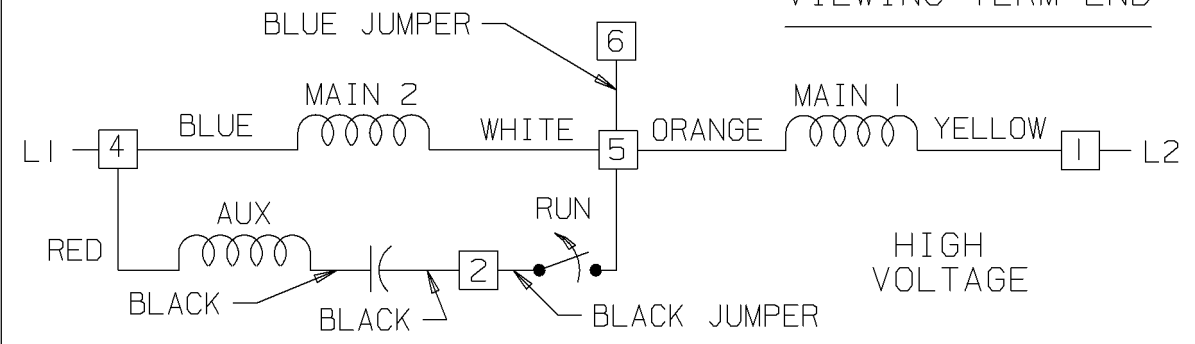
		TOLERANCES UNLESS SPECIFIED		MARATHON ELECTRIC	DRAWN MRB 3/10/1998	
		DEC.	INCHES		CHK ML 4/1/1998	APPD GK 4/1/1998
		.X	±.1	TITLE OUTLINE	SCALE 3=8	
7	REMOVED FRAME SIZE COLUMN IN TABLE	AP	11/9/16		REF	
6	UPDATED DRAWING	TJW	05/11/2007		FMF	
5	REDRAWN ON CADD - NO CHANGE	MRB	4/1/1998	FINISH	PREV	
NO.	REVISION	BY & DATE	CHK ANG ±7'30"	CAD FILE SS79614	SIZE A	DRAWING NO. PAGE 1 OF 1 REV. SS79614 7
THIS DRAWING IN DESIGN AND DETAIL IS OUR PROPERTY AND MUST NOT BE USED EXCEPT IN CONNECTION WITH OUR WORK ALL RIGHTS OF DESIGN AND INVENTION ARE RESERVED THIS IS AN ELECTRONICALLY GENERATED DOCUMENT - DO NOT SCALE THIS PRINT				RFP		
				DIST WP		



DUAL VOLTAGE CAPACITOR START REVERSIBLE ON TERM BOARD NO OVERLOAD PROTECTION



VIEWING TERM END



LOW VOLTAGE CCW ROTATION SHOWN

FOR HIGH VOLTAGE:
CONNECT BLUE TERM 1 TO TERM 6,
CONNECT ORANGE TERM 4 TO TERM 5.

TO REVERSE ROTATION EITHER VOLTAGE INTERCHANGE RED LEAD WITH BLACK LEAD

				✓ MAX. SURFACE ROUGHNESS UNLESS NOTED OTHERWISE	UNLESS OTHERWISE SPECIFIED DIMENSIONS ARE IN INCHES TOL. ON XX± XXX±.005 XXXX±.0005 ANGLES±		
				MATL SPEC			DRAWN BY CAE 06-15-1999
				FINISH	 WAUSAU, WISCONSIN 54401		CHKD BY ML 06-16-1999
1	06-21-1999	NEW DRAWING	CN 28066	CAE			APPD BY TOM 06-21-1999
REV	DATE	CHANGE	NAME	PART NAME CONNECTION DIAGRAM 48 FR. DUAL VOLTAGE REVERSIBLE			DRWG NO A-EE9002BA

SHOP BOOK	PURCHASED	DISTRIBUTION - WA - LB - WP - LM	CADD FILE NO.	EE9002BA
-----------	-----------	----------------------------------	---------------	----------

CERTIFICATION DATA SHEET

Model#: 56C17D2098 M WINDING#: CE48452 NONE 3
 CONN. DIAGRAM: A-EE9002BA ASSEMBLY: F1 ONLY
 OUTLINE: A-SS79614-625

TYPICAL MOTOR PERFORMANCE DATA

HP	KW	SYNC. RPM	F.L. RPM	FRAME	ENCLOSURE	KVA CODE	DESIGN
1/2	.37	1800	1725	56	DP	L	NO DESIGN CODE

PH	Hz	VOLTS	FL AMPS	START TYPE	DUTY	INSL	S.F	AMB°C	ELEVATION
1	60	115/230	9.05/4.5	ACROSS THE LINE	CONTINUOUS	B3	1.0	40	3300

FULL LOAD EFF: 60	3/4 LOAD EFF: 55.5	1/2 LOAD EFF: 47.3	GTD. EFF	ELEC. TYPE	NO LOAD AMPS
FULL LOAD PF: 60	3/4 LOAD PF: 52.2	1/2 LOAD PF: 43.3	-	CAP START IND RUN	7.8 / 3.9

F.L. TORQUE	LOCKED ROTOR AMPS	L.R. TORQUE	B.D. TORQUE	F.L. RISE°C
24.1 LB-FT	39 / 19.5	65 LB-FT -	58.5 LB-FT -	65

SOUND PRESSURE @ 3 FT.	SOUND POWER	ROTOR WK^2	MAX. WK^2	SAFE STALL TIME	STARTS /HOUR	APPROX. MOTOR WGT
- dBA	- dBA	- LB-FT^2	- LB-FT^2	- SEC.	-	- LBS.

*** SUPPLEMENTAL INFORMATION ***

DE BRACKET TYPE	ODE BRACKET TYPE	MOUNT TYPE	ORIENTATION	SEVERE DUTY	HAZARDOUS LOCATION	DRIP COVER	SCREENS	PAINT
STANDARD	STANDARD	RIGID	HORIZONTAL	FALSE	NONE	FALSE	NONE	GRAY (POWDER)

BEARINGS		GREASE	SHAFT TYPE	SPECIAL DE	SPECIAL ODE	SHAFT MATERIAL	FRAME MATERIAL
DE	OPE	POLYREX EM	STANDARD 56	NONE	NONE	1144 STRESSPROOF (C-223)	ROLLED STEEL
BALL	BALL						
6203	6203						

THERMO-PROTECTORS				THERMISTORS	CONTROL	SPACE /n HEATERS
THERMOSTATS	PROTECTORS	WDG RTDs	BRG RTDs	NONE	FALSE	NONE VOLTS
NONE	NOT	NONE	NONE			

If Inverter equals NONE, contact factory for further information

*
N
O
T
E
S
*

INVERTER TORQUE: NONE
INV. HP SPEED RANGE: NONE
ENCODER: NONE
NONE NONE
NONE NONE PPR
BRAKE: NONE NONE
NONE P/N NONE
NONE NONE
NONE FT-LB NONE V NONE Hz

DATE: 06/21/2017 09:23:51 AM
 FORM 3531 REV.3 02/07/99
 ** Subject to change without notice.