

PRODUCT INFORMATION PACKET

Model No: 056C17D2113
Catalog No: B608
1/2,1725,DP,56,1/60/277
Fan and Blower



Regal and Marathon are trademarks of Regal Beloit Corporation or one of its affiliated companies.
©2018 Regal Beloit Corporation, All Rights Reserved. MC017097E





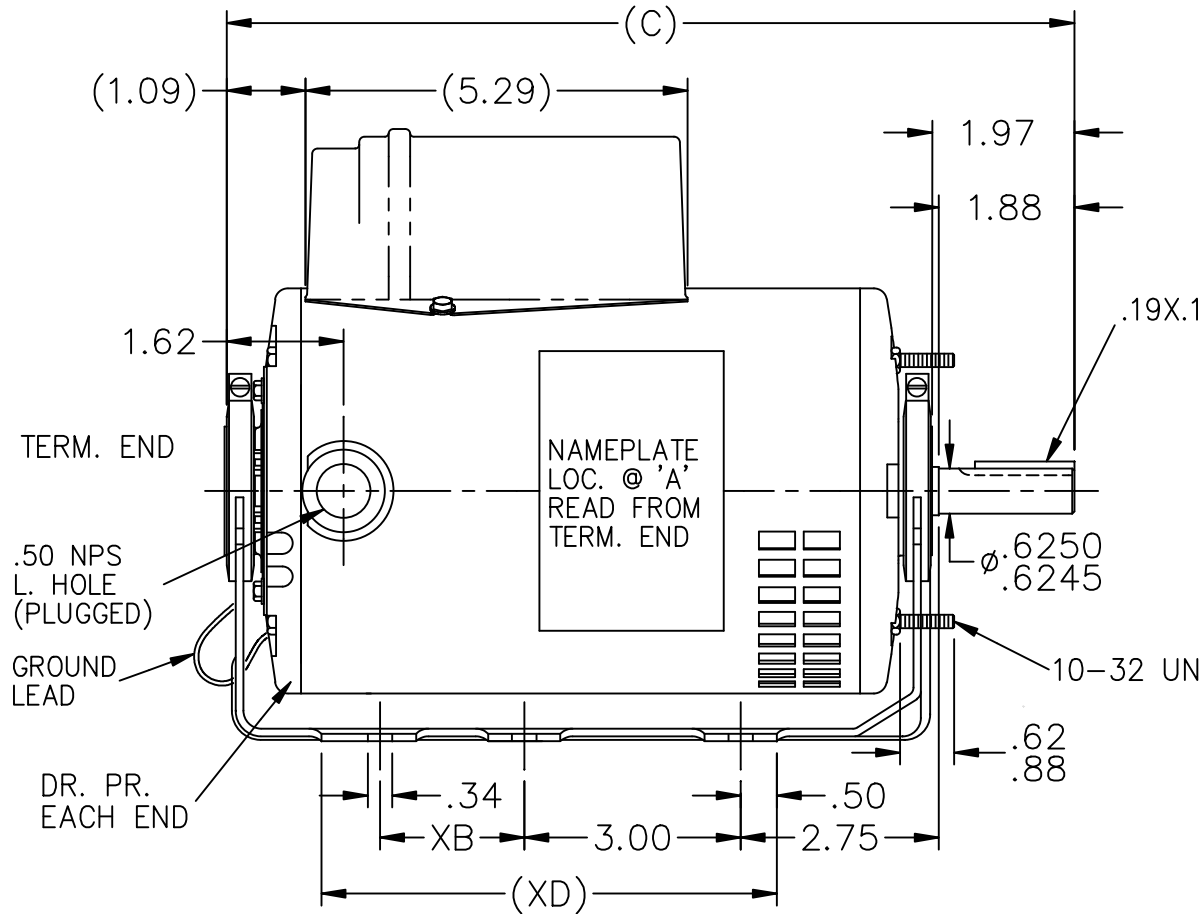
Nameplate Specifications

Output HP	0.50 Hp	Output KW	0.37 kW
Frequency	60 Hz	Voltage	277 V
Current	3.6 A	Speed	1725 rpm
Service Factor	1.25	Phase	1
Efficiency	66 %	Duty	Continuous
Insulation Class	B	Design Code	NO DESIGN CODE
KVA Code	L	Frame	56
Enclosure	Drip Proof	Overload Protector	No
Ambient Temperature	40 °C	Drive End Bearing Size	6203
Opp Drive End Bearing Size	6203	UL	Recognized
CSA	Y	CE	N
IP Code	22		

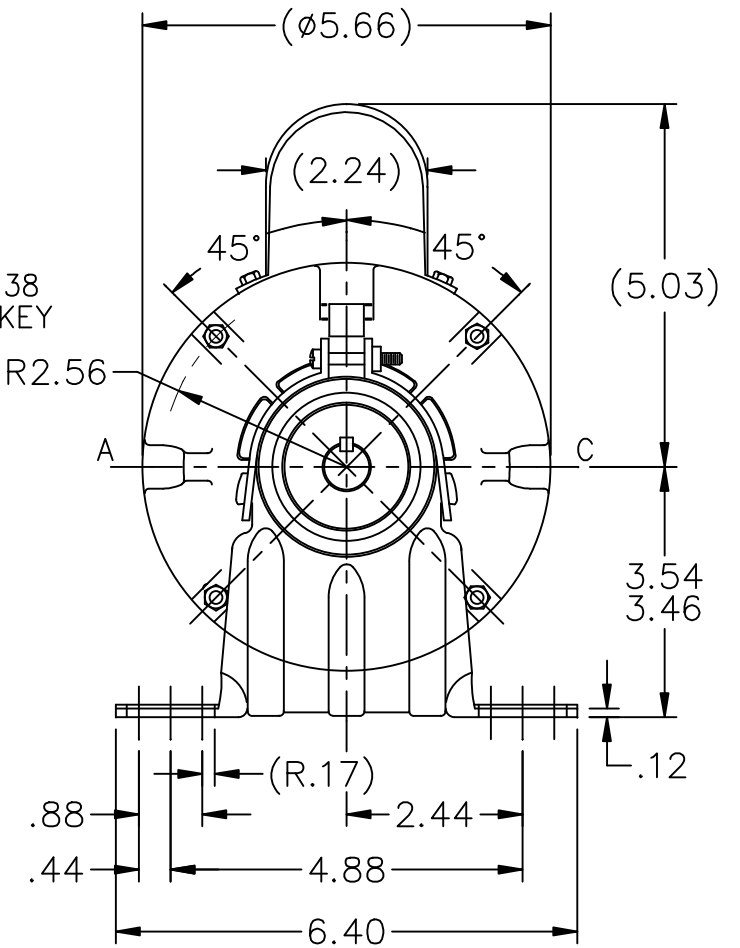
Technical Specifications

Electrical Type	Capacitor Start Induction Run	Starting Method	Across The Line
Poles	4	Rotation	Selective Counterclockwise
Mounting	Resilient Base - Extended Studs	Motor Orientation	Horizontal
Drive End Bearing	Ball	Opp Drive End Bearing	Ball
Frame Material	Rolled Steel	Shaft Type	T
Overall Length	11.72 in	Frame Length	7.75 in
Shaft Diameter	0.625 in	Shaft Extension	1.97 in
Assembly/Box Mounting	F1 Only		
Outline Drawing	A-SS75534-775	Connection Diagram	A-EE9007DR


This is an uncontrolled document once printed or downloaded and is subject to change without notice. Date Created: 07/02/2018

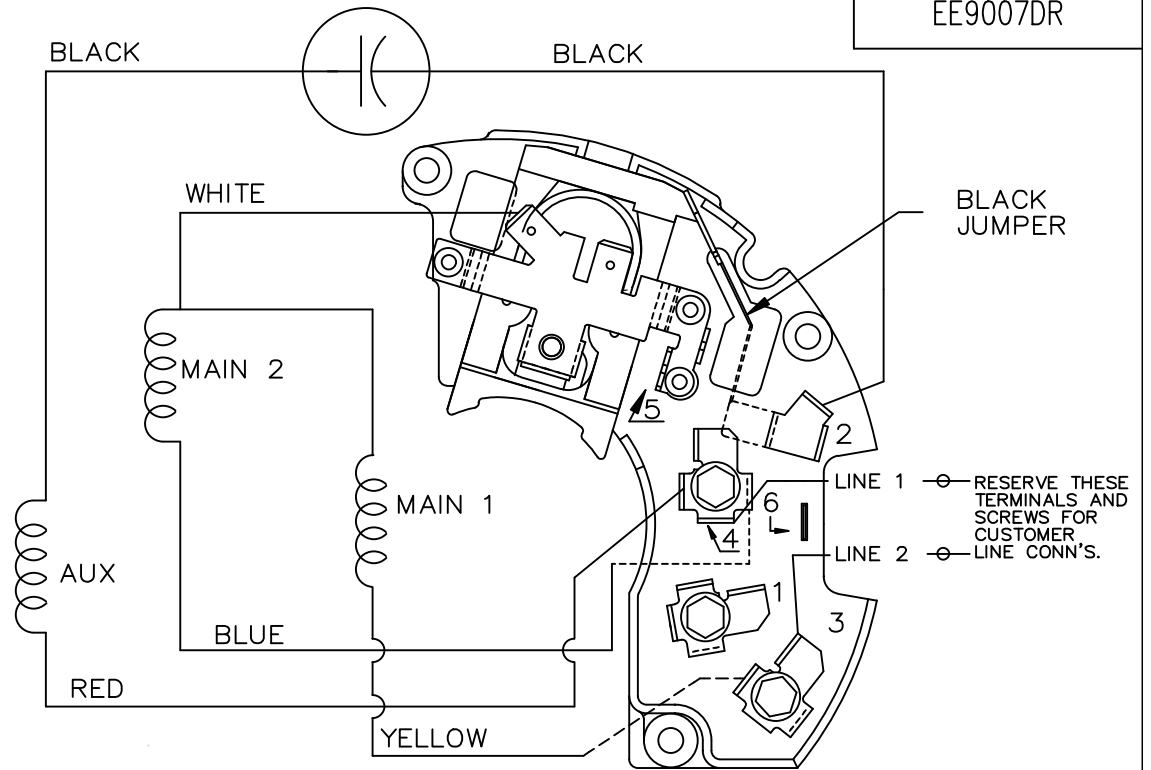


.19X.19X1.38 KEY



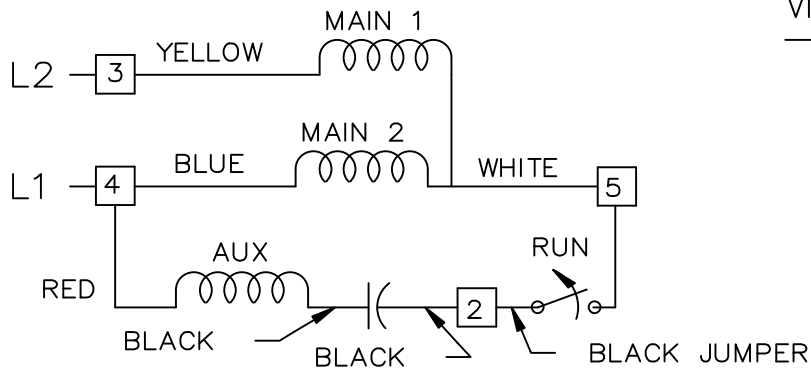
DASH	XB	XD	C
675	-	5.31	10.72
700	-	5.50	10.97
775	2.00	6.31	11.72

			TOLERANCES UNLESS SPECIFIED			DRAWN RM 3/11/1992	
			DEC.	INCHES		CHK ML 3/11/1992	APPD GK 3/11/1992
			.X	±.1	TITLE OUTLINE	SCALE	3=8
3	ADDED DASH 675 FOR MU96889	DWH 8/17/2010	.XX	±.03		REF	
2	UPDATED DRAWING	TJW 05/07/2007	.XXX	±.005	MAT'L.	FMF	
1	NEW DRAWING 3850091	RM 3/20/1992	.XXXX	±.0005	FINISH	PREV	
NO.	REVISION	BY & DATE	CHK	ANG	FINISH	PREV	
			RFP		CAD FILE SS75534	SIZE	DRAWING NO. PAGE 1 OF 1 REV.
			DIST WP			A	SS75534 3




SINGLE HIGH VOLTAGE CAPACITOR START
REVERSIBLE ON TERM BOARD
NO OVERLOAD PROTECTION

VIEWING TERM END



CCW ROTATION SHOWN

TO REVERSE ROTATION INTERCHANGE
RED LEAD WITH BLACK LEAD

			TOLERANCES UNLESS SPECIFIED		 REGAL-BELOIT CORPORATION	DRAWN	TJW 5/26/2010				
			DEC.	INCHES		CHK	CTO 5/26/2010				
			.X	± -		APPD	EH 5/26/2010				
			.XX	± -		TITLE CONNECTION DIAGRAM					
			.XXX	± -		48 FR. SINGLE VOLTAGE REVERSIBLE					
			.XXXX	± -	SCALE						
					REF						
					MAT'L.						
					FMF ISAAC10-2134						
NO.	REVISION	BY & DATE	CHK	ANG	FINISH	PREV					
THIS DRAWING IN DESIGN AND DETAIL IS OUR PROPERTY AND MUST NOT BE USED EXCEPT IN CONNECTION WITH OUR WORK ALL RIGHTS OF DESIGN AND INVENTION ARE RESERVED THIS IS AN ELECTRONICALLY GENERATED DOCUMENT - DO NOT SCALE THIS PRINT			RFP	5/26/2010	CAD FILE	EE9007DR	SIZE	DRAWING NO.	PAGE	OF	REV.
			DIST				A	EE9007DR			

** Subject to change without notice.