

PRODUCT INFORMATION PACKET

Model No: 056C17D5319
Catalog No: S037
1,1725,DP,56,1/60/115/230
Open Drip Proof (ODP)



Regal and Marathon are trademarks of Regal Beloit Corporation or one of its affiliated companies.
©2018 Regal Beloit Corporation, All Rights Reserved. MC017097E



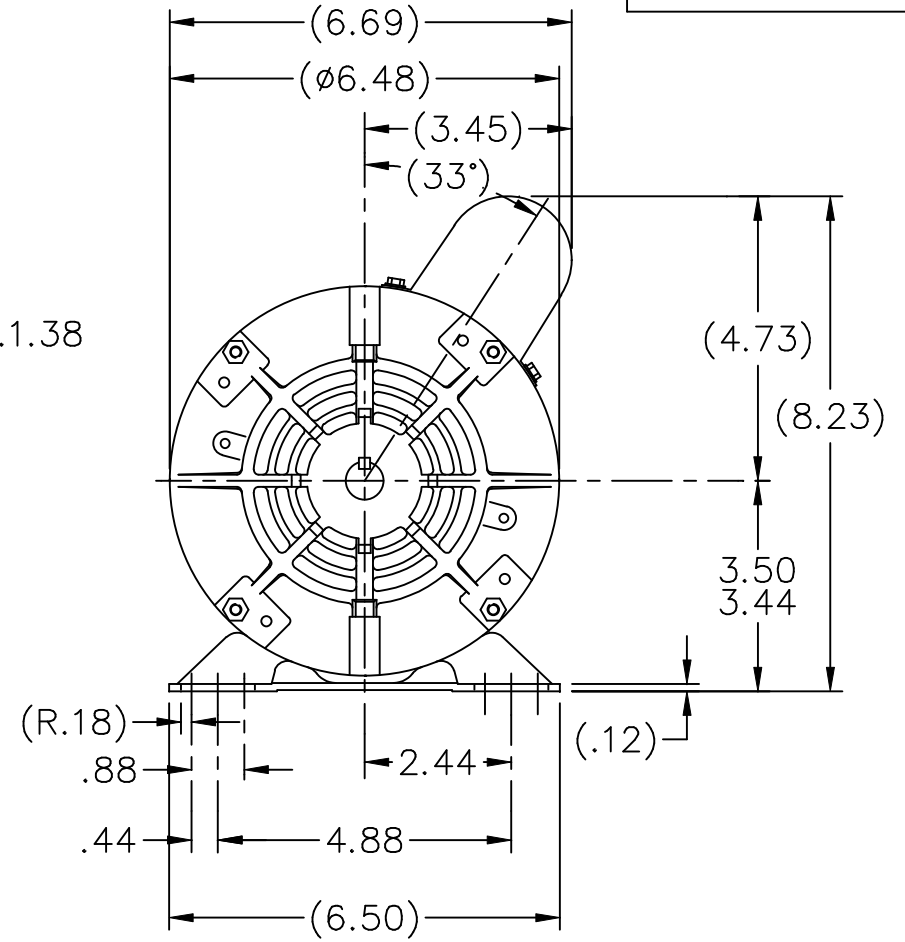
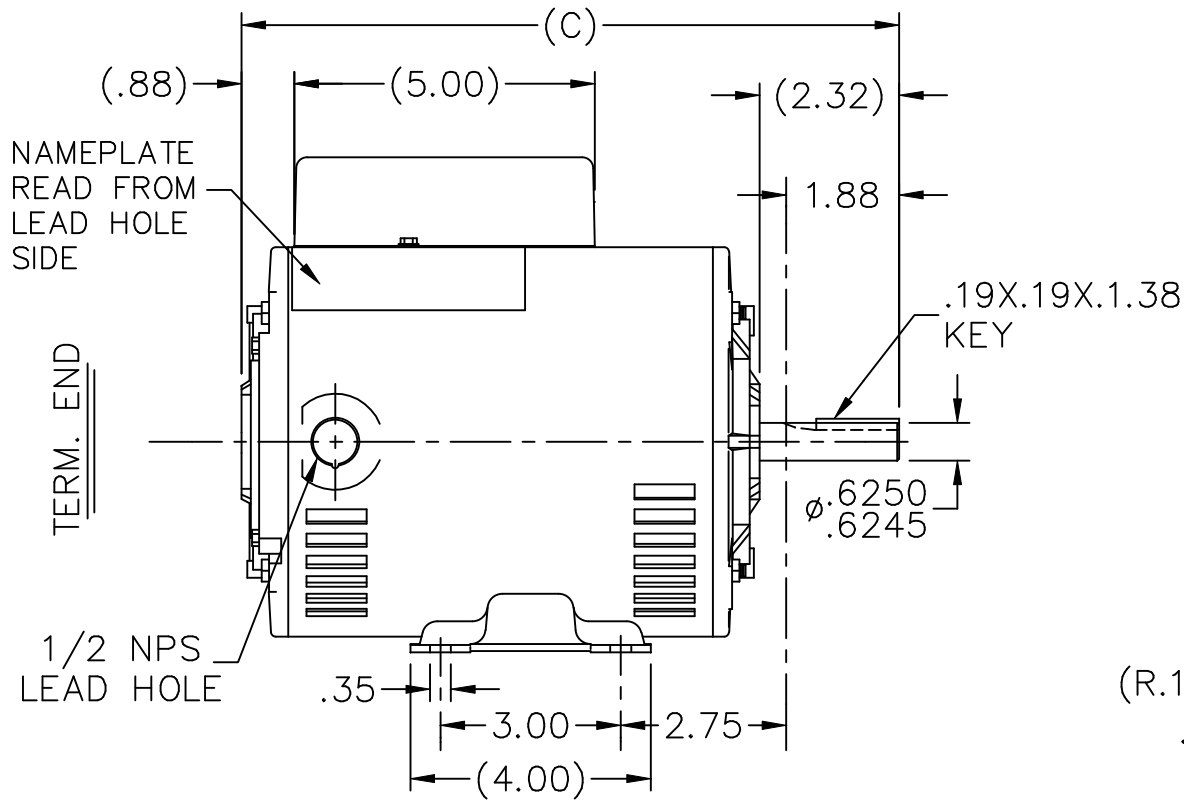


Nameplate Specifications

Output HP	1 Hp	Output KW	0.75 kW
Frequency	60 Hz	Voltage	115/230 V
Current	13.6/6.8 A	Speed	1725 rpm
Service Factor	1	Phase	1
Efficiency	70 %	Duty	Continuous
Insulation Class	B	Design Code	NO DESIGN CODE
KVA Code	J	Frame	56
Enclosure	Drip Proof	Overload Protector	No
Ambient Temperature	40 °C	Drive End Bearing Size	6203
Opp Drive End Bearing Size	6203	UL	Recognized
CSA	Y	CE	Y
IP Code	22		

Technical Specifications

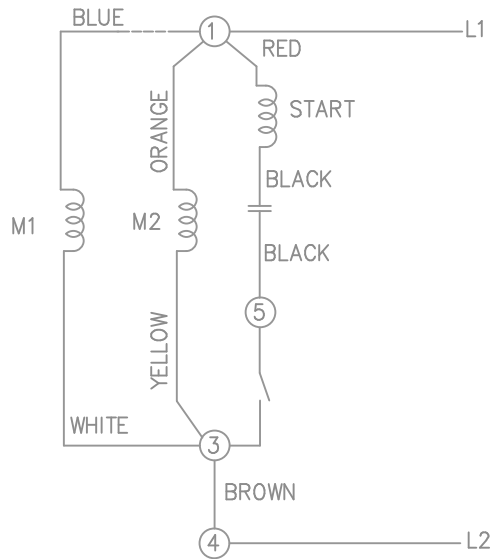
Electrical Type	Capacitor Start Induction Run	Starting Method	Across The Line
Poles	4	Rotation	Selective Counterclockwise
Mounting	Rigid base	Motor Orientation	Horizontal
Drive End Bearing	Ball	Opp Drive End Bearing	Ball
Frame Material	Rolled Steel	Shaft Type	NEMA 56
Overall Length	10.94 in	Frame Length	7.06 in
Shaft Diameter	0.625 in	Shaft Extension	2.32 in
Assembly/Box Mounting	F1 Only		
Outline Drawing	A-100092-706	Connection Diagram	102005-1



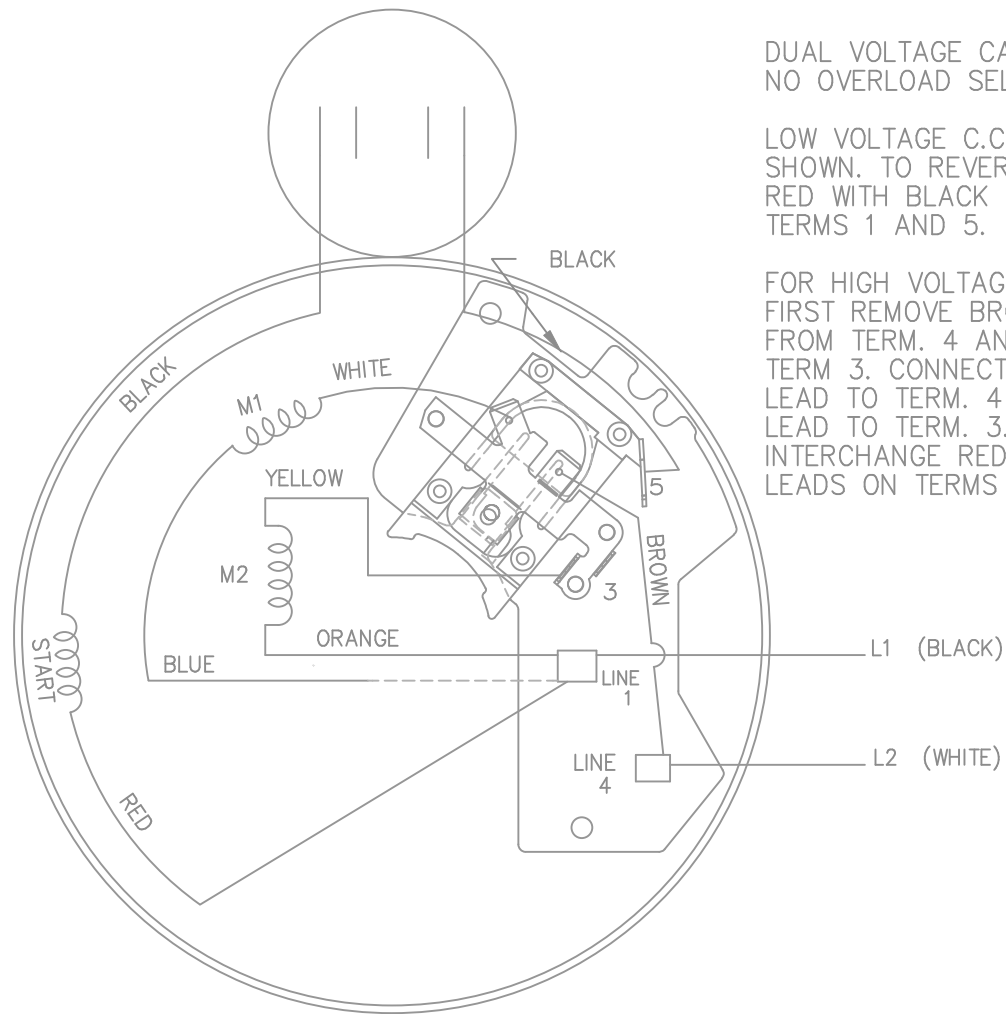
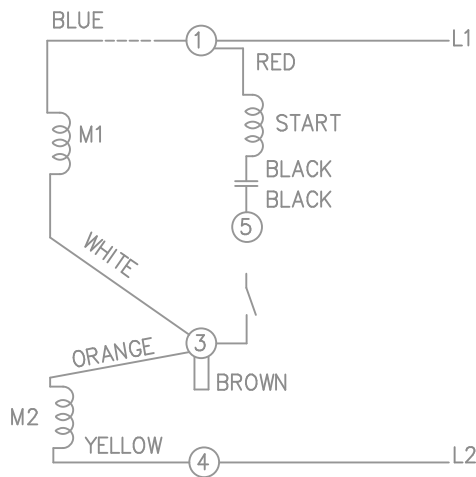
DASH	FR.	C	DASH	FR.	C
			756	56-75	11.44
606	56-60	9.94	806	"-80	11.94
656	"-65	10.44	856	"-85	12.44
706	"-70	10.94			

			TOLERANCES UNLESS SPECIFIED			DRAWN GK 12-01-1987	
			DEC.	INCHES		CHK ML 12-01-1987	
			.X	±.1		APPD FG 12-01-1987	
3	REVISED WORDING IN TITLE BLOCK WAS 3Ø	RJW 10-13-2005	ML	.XX ±.03	TITLE OUTLINE 56 FR. - DR.PR. - BB - 1Ø	SCALE	5=16
2	REDRAWN IN AUTOCAD	TAT 05-09-2005	ML	.XXX ±.005		REF	
1	REDRAWN ON CADD	GK 12-01-1987		.XXXX ±.0005	MAT'L.	FMF	
NO.	REVISION	BY & DATE	CHK	ANG	FINISH	PREV	
			RFP		CAD FILE 100092	SIZE	DRAWING NO. PAGE OF
			DIST WP			A	100092 3

THIS DRAWING IN DESIGN AND DETAIL IS OUR PROPERTY AND MUST NOT BE USED EXCEPT IN CONNECTION WITH OUR WORK ALL RIGHTS OF DESIGN AND INVENTION ARE RESERVED THIS IS AN ELECTRONICALLY GENERATED DOCUMENT - DO NOT SCALE THIS PRINT



HIGH VOLTAGE - C.C.W.



DUAL VOLTAGE CAPACITOR START
NO OVERLOAD SELECT ROTATION.

LOW VOLTAGE C.C.W. ROTATION
SHOWN. TO REVERSE, INTERCHANGE
RED WITH BLACK LEAD ON
TERMS 1 AND 5.

FOR HIGH VOLTAGE C.C.W. ROT.
FIRST REMOVE BROWN JUMPER
FROM TERM. 4 AND ATTACH TO
TERM 3. CONNECT YELLOW
LEAD TO TERM. 4 AND ORANGE
LEAD TO TERM. 3. TO REVERSE
INTERCHANGE RED WITH BLACK
LEADS ON TERMS 1 AND 5.

				TOLERANCES UNLESS SPECIFIED		MARATHON ELECTRIC	DRAWN PGK 06-20-1996					
				DEC.	INCHES		CHK	MRB	07-10-1996			
				.X	± -	TITLE CONNECTION DIAGRAM	APPD	GK	07-10-1996	SCALE	5=8	
7	M1 & M2 WERE REVERSED IN MAIN VIEW	CN 31843	DRS 09-28-2002	ML	.XXX		± -	REF				
6	REDRAWN ON CADD, NO CHANGES		PGK 07-10-1996		.XXXX		± -	MAT'L.	FMF			
NO.	REVISION	BY & DATE	CHK	ANG	± -	FINISH	PREV					
THIS DRAWING IN DESIGN AND DETAIL IS OUR PROPERTY AND MUST NOT BE USED EXCEPT IN CONNECTION WITH OUR WORK ALL RIGHTS OF DESIGN AND INVENTION ARE RESERVED THIS IS AN ELECTRONICALLY GENERATED DOCUMENT - DO NOT SCALE THIS PRINT				RFP	CAD FILE 102005-1		SIZE	DRAWING NO.	PAGE	OF	REV.	
				DIST	WP		A	102005-1			7	

